



COIN MECHANISMS

Innovation Through Technology

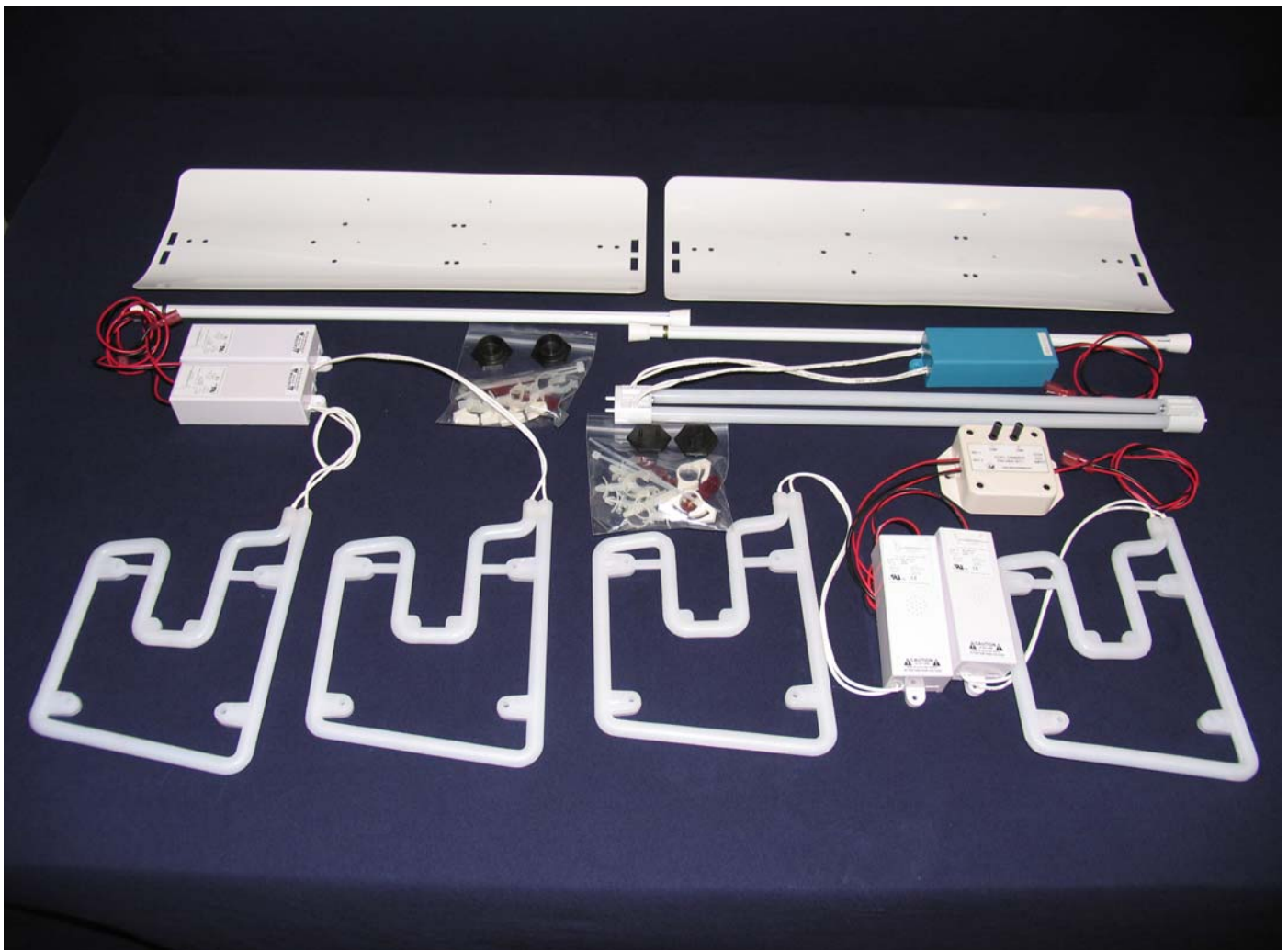
CCFL Retrofit Kit with Dimmer - Coin Mech Part# 50480008

This kit installs into the following manufacturer's machine:

- IGT Reel Upright

(Coin Mechanisms' Dimmer is used to adjust the brightness of the CCFL lamps)

Exploded View



COIN MECHANISMS

Innovation Through Technology

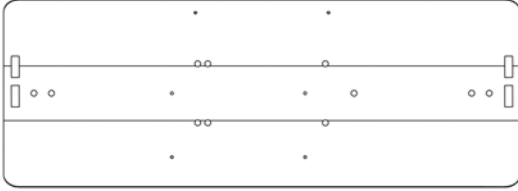
P.O. Box 5128, 400 Regency Drive, Glendale Heights, IL 60139-5128
630/924-7070 • 1-800/323-6498 (In USA & Canada) • FAX 630/924-7088
www.coinmech.com

50480008 KIT CONSISTS OF THE FOLLOWING PARTS:

Part# 04090735 TENSION ROD - Qty. 2 per kit



Part# 04480004 DOUBLE REFLECTOR PLATE - Qty. 2 per kit



Part# 0928-000181 INVERTER HARNESS 24" - Qty. 3 per kit



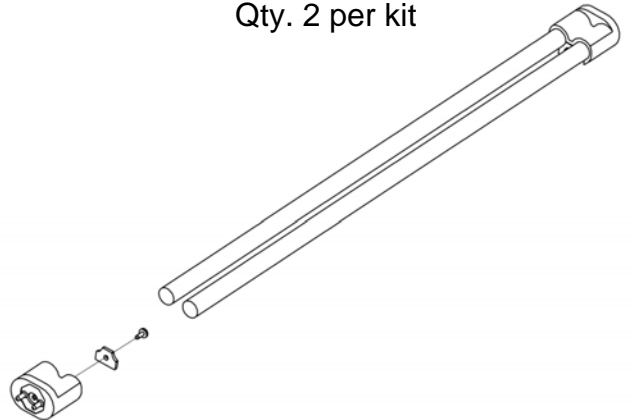
Part# 0928-000190 INVERTER HARNESS DAISY CHAIN 24" - Qty. 2 per kit



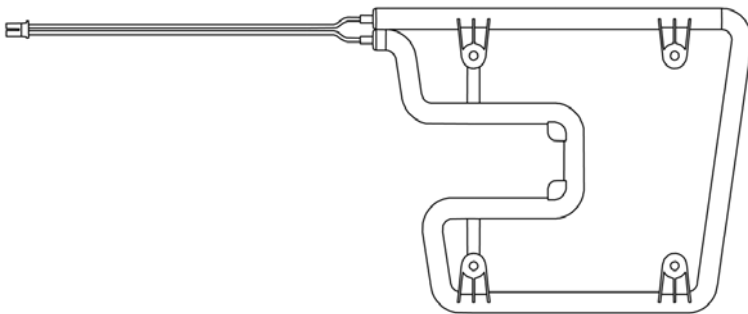
Part# 0928-000182 INVERTER HARNESS DAISY CHAIN 8" - Qty. 1 per kit



Part# 06480005 TYPE 40 DUAL STRAIGHT CCFL LAMP ASSEMBLY - Qty. 2 per kit



Part# 48000004 TYPE 4 CCFL LAMP - Qty. 4 per kit



Part# 48000011 DIMMER 12/24VDC - Qty. 1 per kit



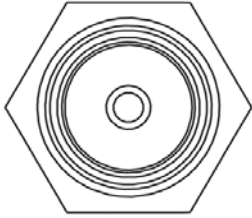
Part# 48240001 INVERTER TYPE 4 24VDC - Qty. 4 per kit



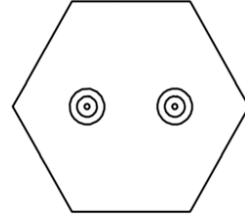
Part# 48240008 INVERTER TYPE 40 24VDC - Qty. 1 per kit



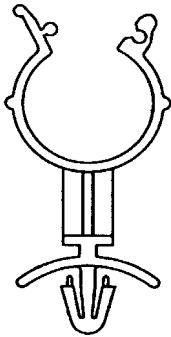
Part# 04090737 ADAPTER WALL MOUNT
CCFL REFLECTOR - Qty. 2 per kit



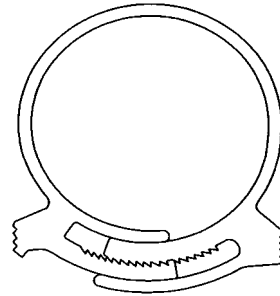
Part# 04480021 ADAPTER LAMP SOCKET
CCFL REFLECTOR - Qty. 2 per kit



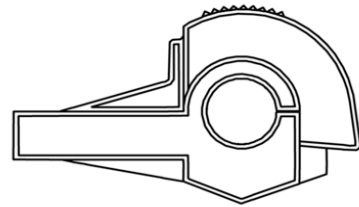
Part# 04480006 STANDOFF - Qty. 12 per kit



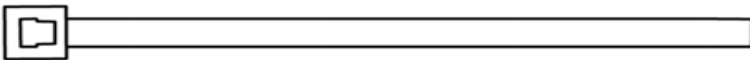
Part# 04090750 HOSE CLAMP - Qty. 4 per kit



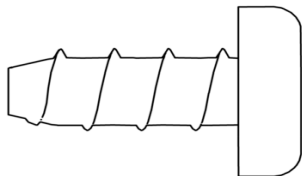
Part# 0826-003201 T-TAP SLIDE CONNECTOR -
Qty. 4 per kit



Part# 08290005 CABLE TIE - Qty. 4 per kit



Part# P-216-4-4 SCREW 4-40x1/4 PHILIPS
PAN HEAD TAPTITE - Qty. 8 per kit



Part# P-202-6-8 SCREW 6x1/2 PHILIPS
FLAT HEAD - Qty. 2 per kit

