



COIN MECHANISMS

Innovation Through Technology

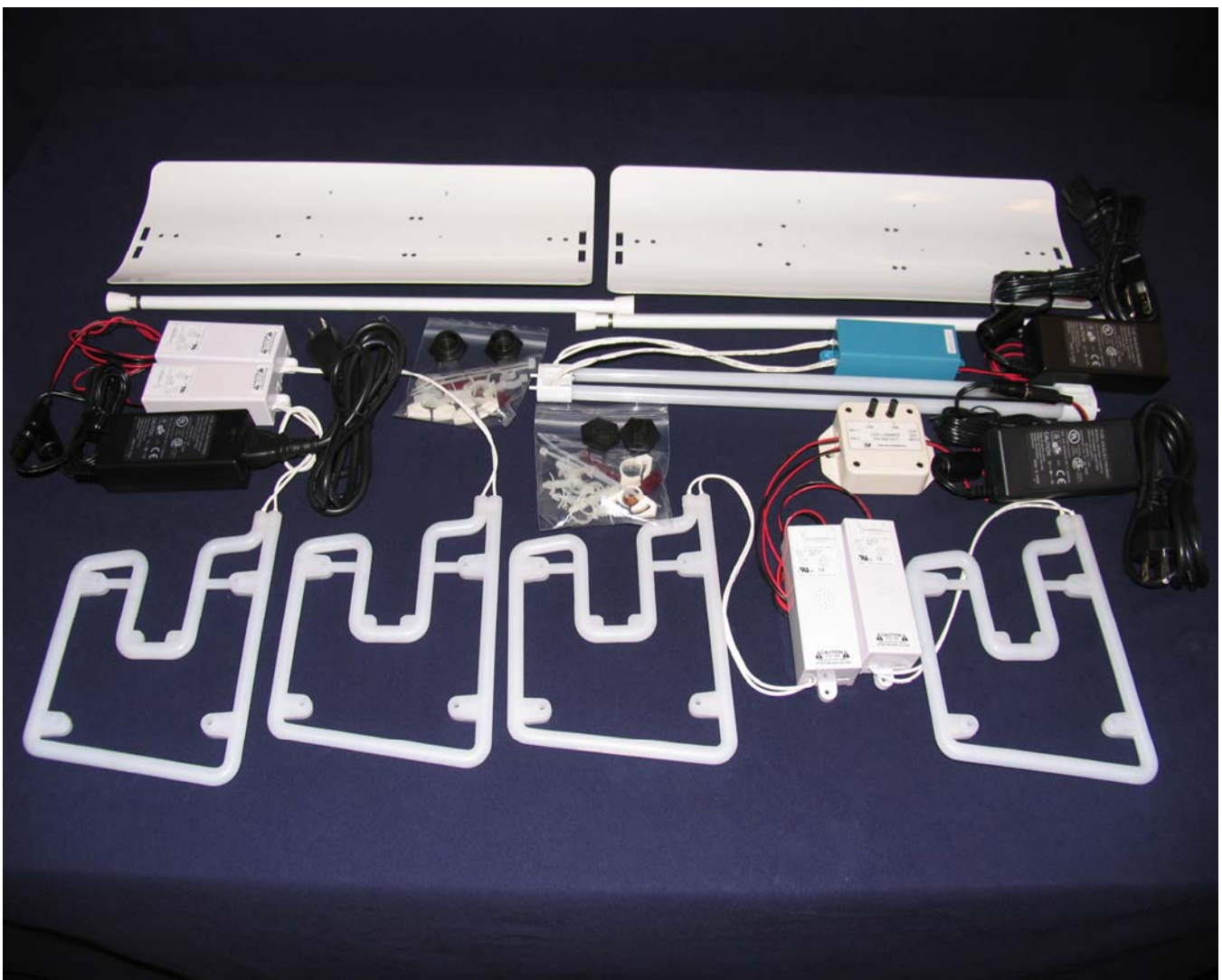
CCFL Retrofit Kit with Dimmer - Coin Mech Part# 50480010

This kit installs into the following manufacturer's machine:

- Bally Reel Upright

(Coin Mechanisms' Dimmer is used to adjust the brightness of the CCFL lamps)

Exploded View



COIN MECHANISMS

Innovation Through Technology

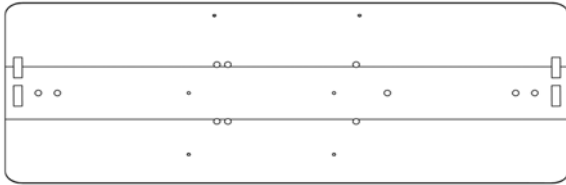
P.O. Box 5128, 400 Regency Drive, Glendale Heights, IL 60139-5128
630/924-7070 • 1-800/323-6498 (In USA & Canada) • FAX 630/924-7088
www.coinmech.com

50480010 KIT CONSISTS OF THE FOLLOWING PARTS:

Part# 04090735 TENSION ROD - Qty. 2 per kit



Part# 04480004 DOUBLE REFLECTOR PLATE -
Qty. 2 per kit



Part# 0928-000183 AC ADAPTER HARNESS
24" - Qty. 2 per kit



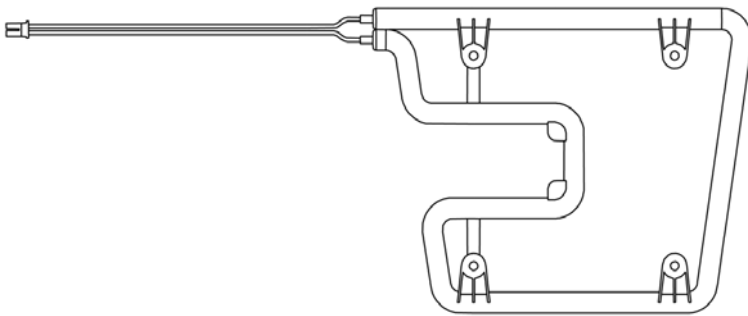
Part# 0928-000190 INVERTER HARNESS DAISY
CHAIN 24" - Qty. 2 per kit



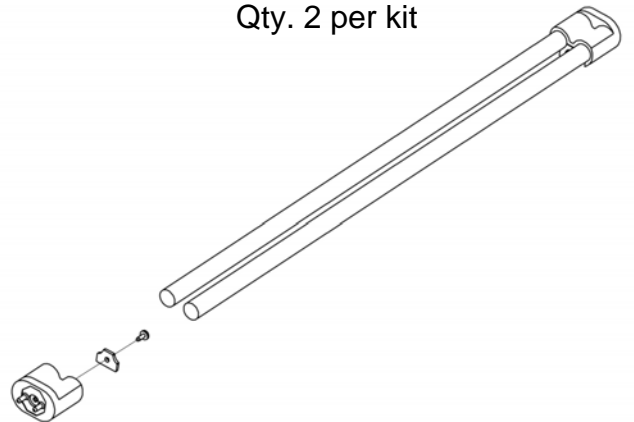
Part# 0928-000182 INVERTER HARNESS
DAISY CHAIN 8" - Qty. 1 per kit



Part# 48000004
TYPE 4 CCFL LAMP - Qty. 4 per kit



Part# 06480005 TYPE 40 DUAL
STRAIGHT CCFL LAMP ASSEMBLY -
Qty. 2 per kit



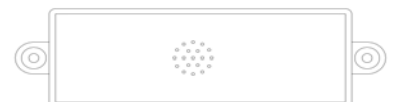
Part# 48000011
DIMMER 12/24VDC - Qty. 1 per kit



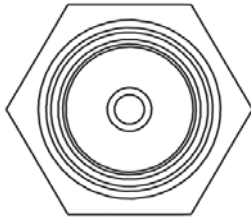
Part# 48120001 INVERTER
TYPE 4 12VDC - Qty. 4 per kit



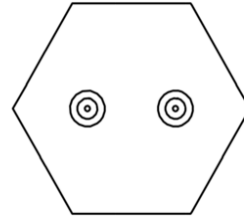
Part# 48120005 INVERTER TYPE
40 12VDC - Qty. 1 per kit



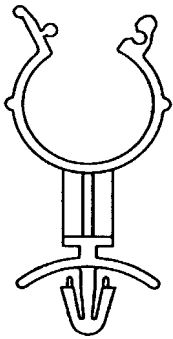
Part# 04090737 ADAPTER WALL MOUNT
CCFL REFLECTOR - Qty. 2 per kit



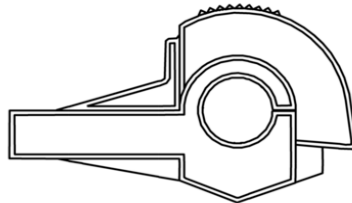
Part# 04480021 ADAPTER LAMP SOCKET
CCFL REFLECTOR - Qty. 2 per kit



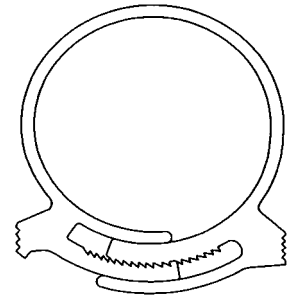
Part# 04480006 STAND-
OFF - Qty. 12 per kit



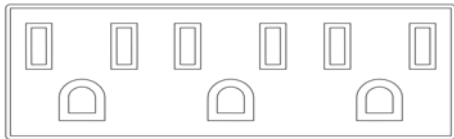
Part# 0826-003201 T-TAP
SLIDE CONNECTOR - Qty. 4
per kit



Part# 04090750 HOSE
CLAMP - Qty. 4 per kit



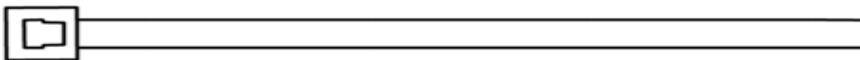
Part# 0821-009111 120VAC TRI-OUTLET
ADAPTER - Qty. 1 per kit



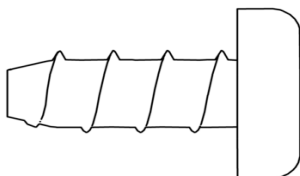
Part# 48000008 120VAC/12VDC AC
ADAPTER - Qty. 2 per kit



Part# 08290005 CABLE TIE - Qty. 4 per kit



Part# P-216-4-4 SCREW 4-40x1/4 PHILIPS
PAN HEAD TAPTITE - Qty. 8 per kit



Part# P-202-6-8 SCREW 6x1/2 PHILIPS
FLAT HEAD - Qty. 2 per kit

