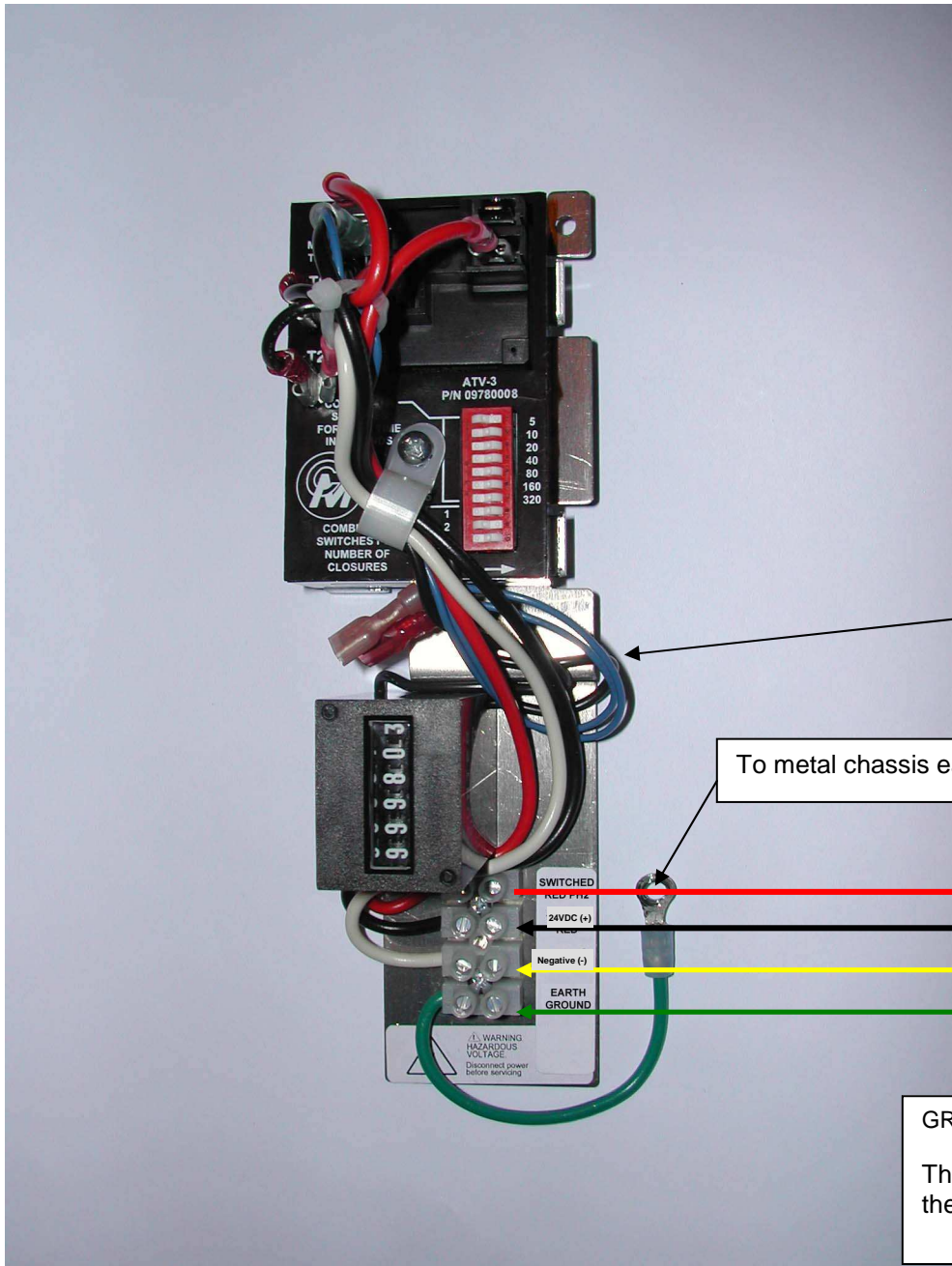


24 VDC OPERATION

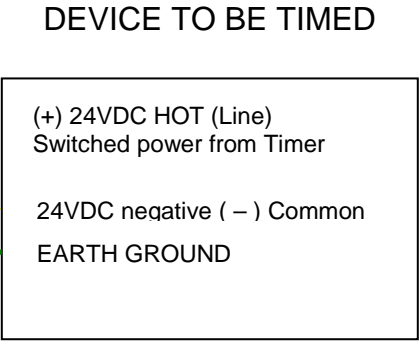


Wiring connections to and from ATV-3 Timer box when using same voltage operating the timer for the switched voltage going to your device to be timed.

Ground wire is earth ground and is shown for safety. This is optional if earth ground is supplied by other means in the application or is part of the common supply.

Connect these two blue wires with .187" fast-on terminals to the coin microswitch Normally Open (NO) and COMMON (COM) terminals. Shorting these two blue wires counts pulses for Timer.

To metal chassis earth GROUND



GROUND Negative 24VDC
(-) (+)
This is your constant power source between the Timer box and device to be timed.