



**COIN MECHANISMS INC.**

*Where The Money Meets The Machine*

817 Industrial Drive Elmhurst, Illinois 60126 - 1107

**ATV-3 TIMER 230 Volts AC**

**Part No. 09780012**

**Specifications**

Input Voltage = 230 Volts AC 50/60 HZ 210 VAC min. 245 VAC max.

Power Consumption = 3.7 Watts max.

Coin Micro-Switch Input = 25 millisecond min. ON, 30 millisecond min. OFF

Switched Output Voltage = One Phase of Input Voltage

Switched Output Rating = SPDT, 20 Amp @ 120/240VAC, 2 HP

Temperature = Operating: -40° C to 65° C, Storage: -40° C to 85° C

Humidity = 95% relative non-condensing

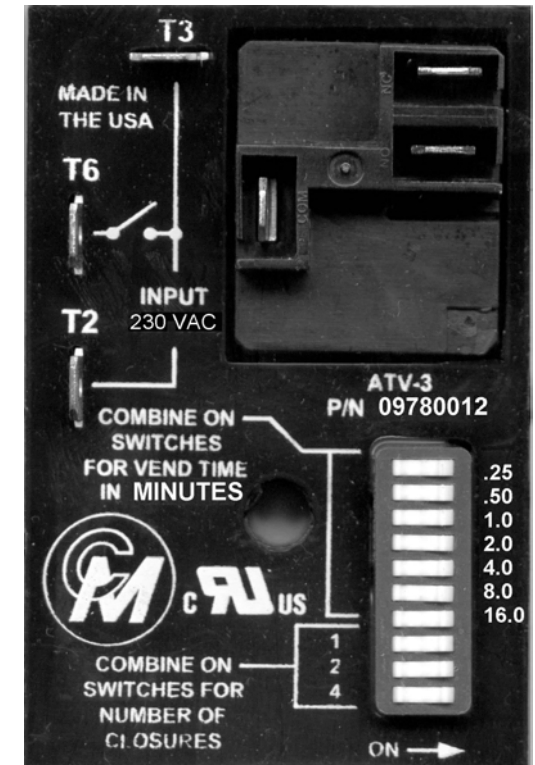
Number of Coins to Vend = 1 to 7 (selectable via three DIP switches)

Accumulator Time per Vend = Time selected by switch setting is per coin  
(via seven DIP switches)

1 Coin Time = 15 seconds Minimum to 31 minutes 45 seconds Maximum

7 Coin Time = 1 Minute 45 seconds Minimum to 3 Hours 42 minutes Maximum

Additional Time = Coin inserted during a Vend adds additional time



**Mechanical**

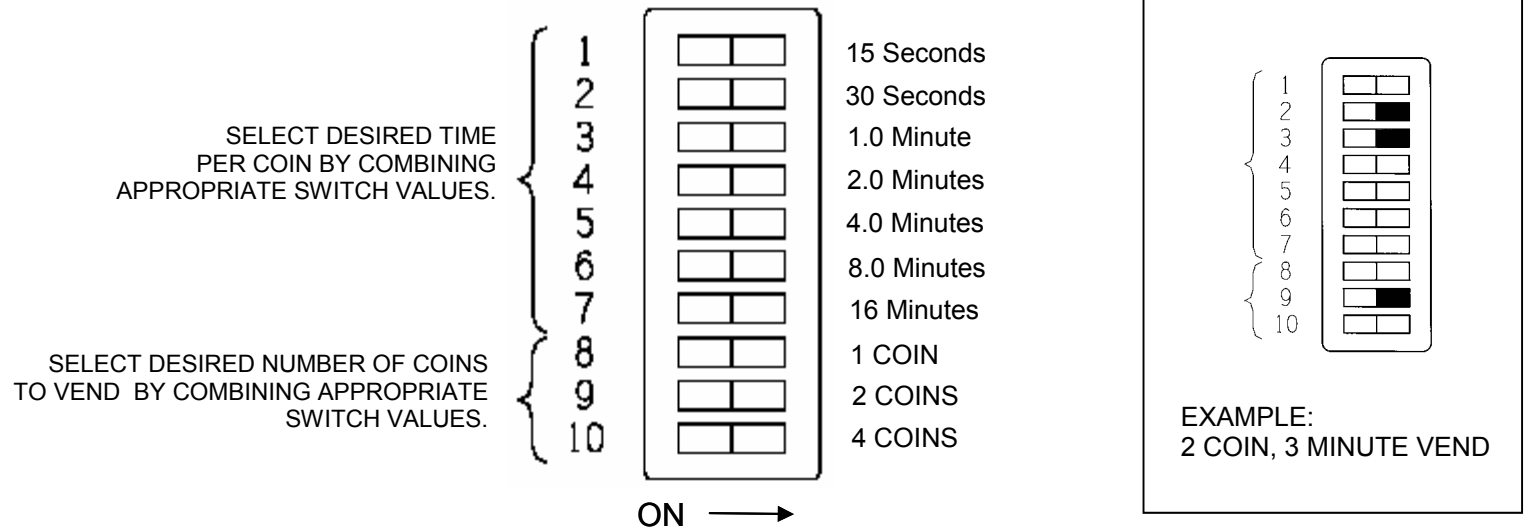
- Package: epoxy-encapsulated 2" x 3" x 1.25"
- Mounting: 0.25" diameter hole for up to #10 screw
- Terminations:
  - (ATV-3 Timer) .25" male quick connect terminals
  - (Terminal Block) stripped wire 14 to 22 AWG using flat blade screwdriver for screw clamp
- Relay MTBF: 10 million operations

UL Recognized UL file # E125360  
UL Guide NMFT2, cUL Guide NMFT8



**ATV-3 TIMER  
P/N 09780012**

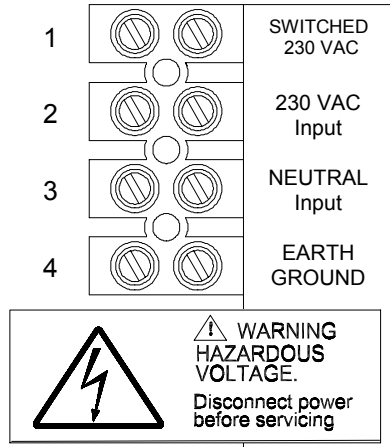
**SWITCH SETTINGS**



Total Vend (or switched power on) Time =  
Number of Seconds X Number of Coins Selected on the Switch



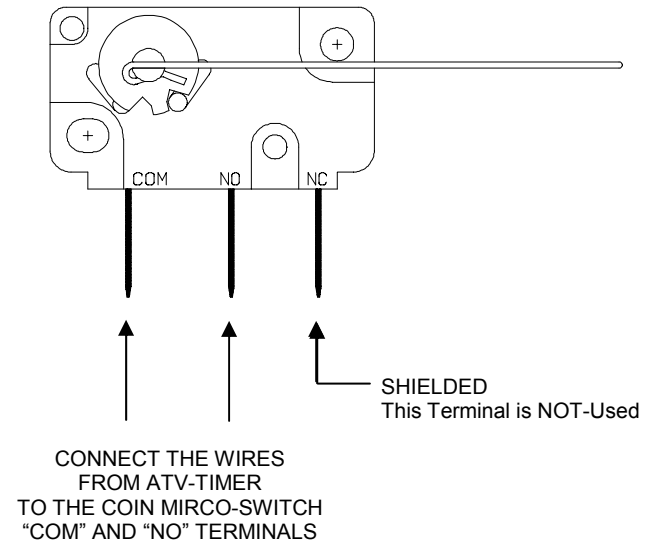
TERMINAL BLOCK CONNECTIONS



Output from Timer

220 Volts AC Power  
Input to Timer

COIN MICRO-SWITCH CONNECTIONS

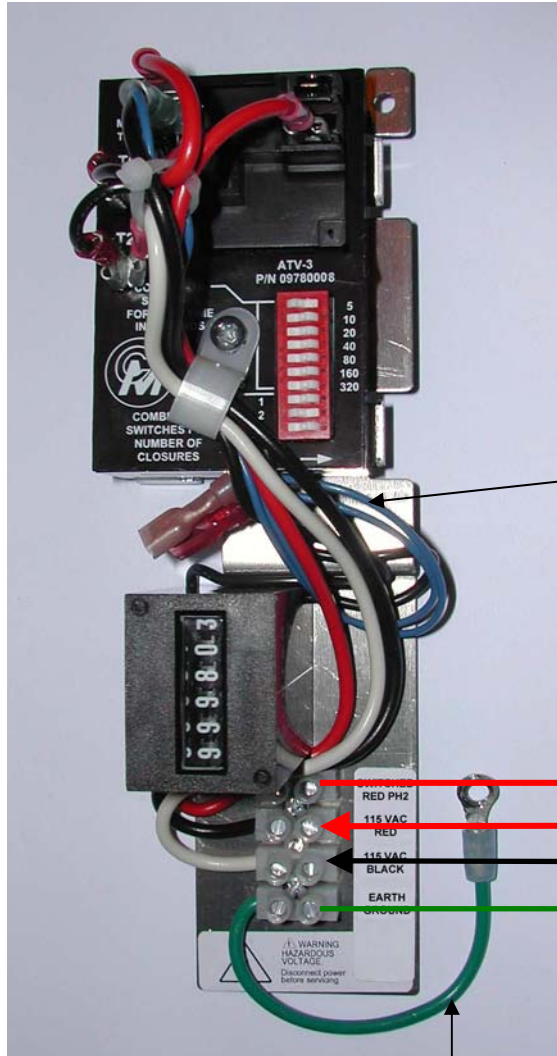




## 230 Volt AC WIRING

Wiring connections to and from ATV-3 Timer-Box  
When using same voltage operating the timer for the switched voltage going to your device to be timed.

Connect these two blue wires with .187" fast-on terminals  
To the Coin Micro-Switch Normally Open (NO) and COMMON (COM) terminals.  
Shorting these two blue wires counts pulses for Timer.



DEVICE TO BE TIMED

230 Volts AC  
Switched Output from Timer

NEUTRAL

EARTH GROUND

GROUND NEUTRAL 230 Volts AC

This is your Power Source  
To the Timer-Box and Device to be timed.

To Metal Chassis Earth GROUND

Ground wire is earth ground and is shown for safety.

This is optional if earth ground is supplied by other means in the application or is part of the common supply.

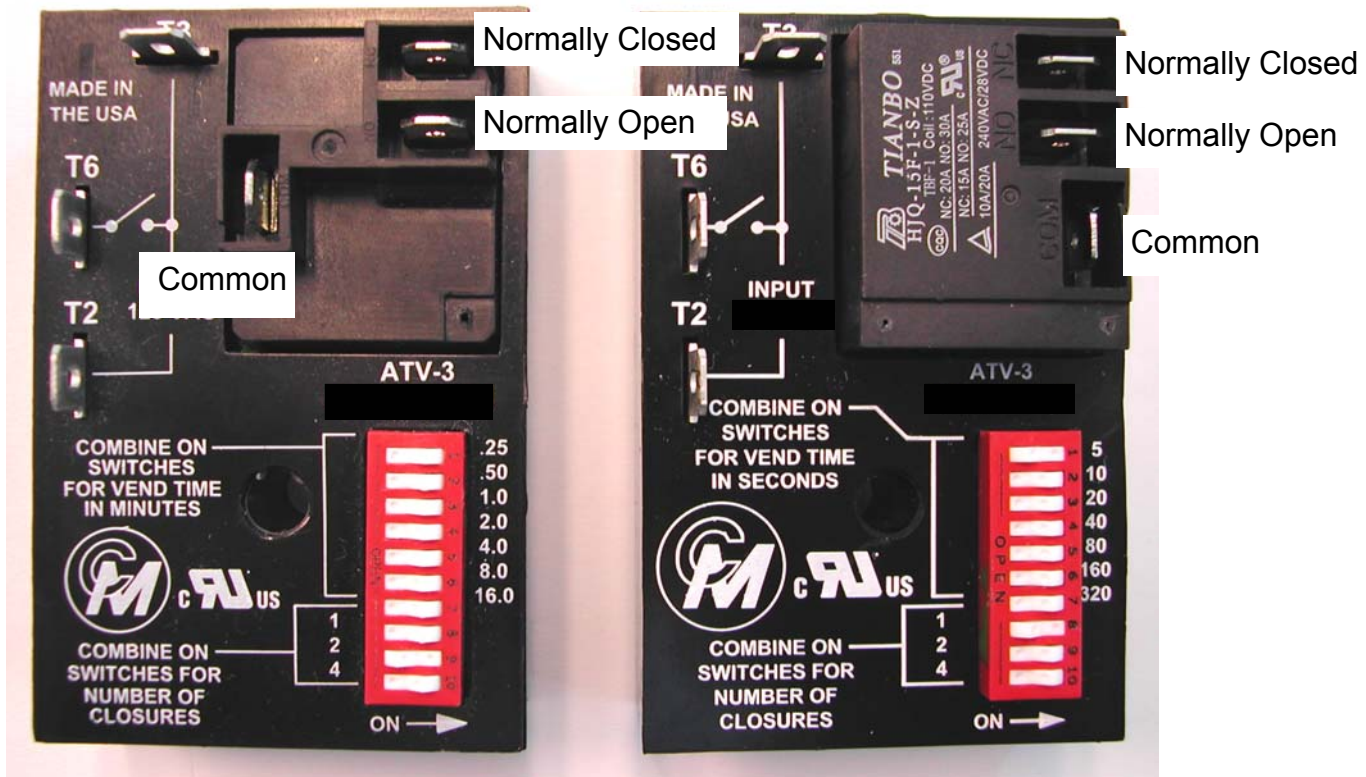


**COIN MECHANISMS INC.**

*Where The Money Meets The Machine*

817 Industrial Drive Elmhurst, Illinois 60126 - 1107

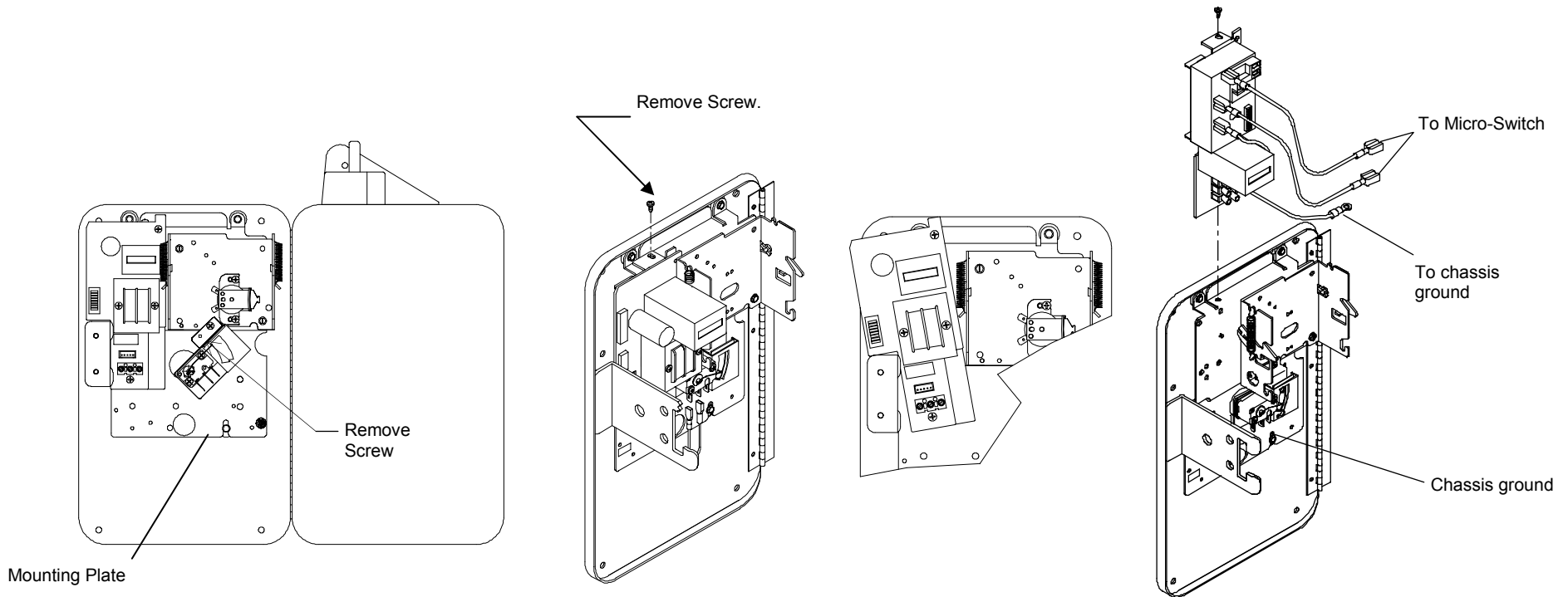
The ATV-3 Timer has two Relay configurations  
The relay is single pole double throw  
It can switch 0 to 250 Volts up to 20 Amps





# ATV TIMER KIT INSTALLATION INSTRUCTIONS

NOTE: ALL WIRES NOT SHOWN FOR CLARITY



Remove left screw on switch bracket assembly and swing switch and bracket assembly out of the way To provide room for mounting new timer.

Remove screw from the top of the old-timer bracket.

Rotate bracket counter-clockwise slightly, up, then out to disengage latches from mounting plate. Remove old-timer.

Replace with new ATV Timer Kit Making sure latches hook over the back of mounting plate.

Reposition switch and bracket assembly and replace screws.