

FRONT ENTRY VALIDATOR

- P/No: 9200401
- 9200503
- 9200603
- 9200801

LAMP 12V DC, 60mA
P/No 22100

FACIA PLATE
COIN DETECT PCB
P/No 100320

BUTTON II SPRING
P/No 70800

DECAL
P/No 11130

BOTTOM
P/No 86101

*THIS AREA NOW
FULLY ENCLOSED*

COIN RETURN C-40TE
P/No 86001

SECURITY CLIP R SPRING
P/No 70900

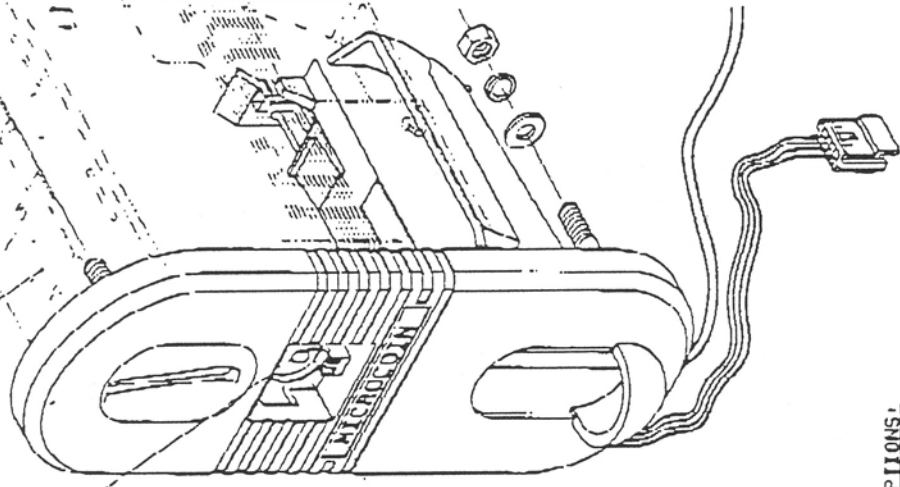
LAMP LEADS

COIN DETECT PLUG
(J.S.T - NH CONNECTOR)

54H SD. SECTION
SPRING WASHER
P/No 91100

M5 1/4 X 101
P/No 92010

54H FLAT WASHER
P/No 93010



MICROCOIN FACE PLATE OPTIONS:

- 10mm STJDS. P/No 52007C3
- 28mm STJDS. P/No 52008C3
- COIN DETECT PCB, P/No 5200E15
- COIN DETECT PCB, P/No 5200E15
- CONICAL: P/No 52009600

16 WAY RIBBON
CABLE CONNECTOR

5	Drawn: NNI	06/07/93	MICROSYSTEM CONTROLS PTY.LTD
4	Checked: F. SMITH		TITLE FACE PLATE
3	Approved: F. SMITH		ASSEMBLY
2	Proj: 1		SCALE: FULL
1			Dr-g No: 91101 - 01
0			

REVISION

No	Date	Detail