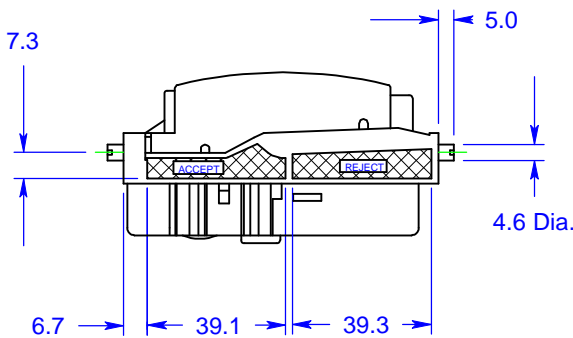
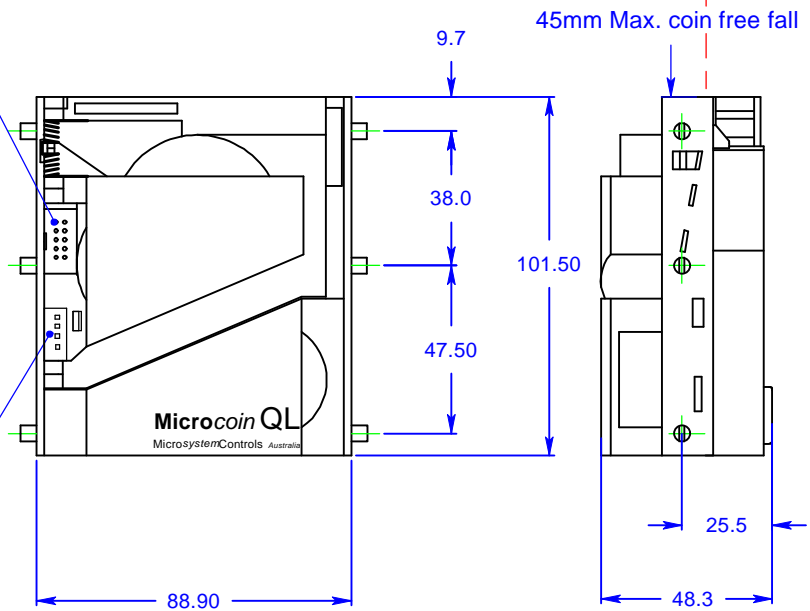
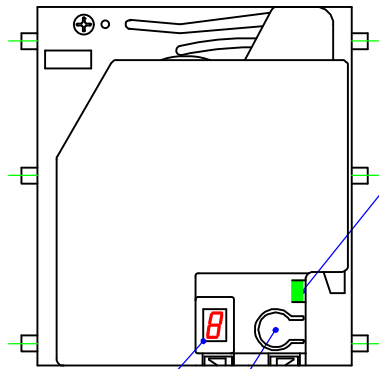


PARALLEL PORT OPTIONS

- 10 way IDC box header
- JST 6 Pin
- Molex 7 Pin



WEIGHT: 270gm

				MicrosystemControls An Astrosys International Company™		
				QL VALIDATOR GENERAL DIMENSIONS		
Rev.	Revision Details			App.	DATE	
CHECKED	P Smith	DRAWN	Stephen	Proj.	SCALE	N/A
APPROVED		DATE	10-08-07			