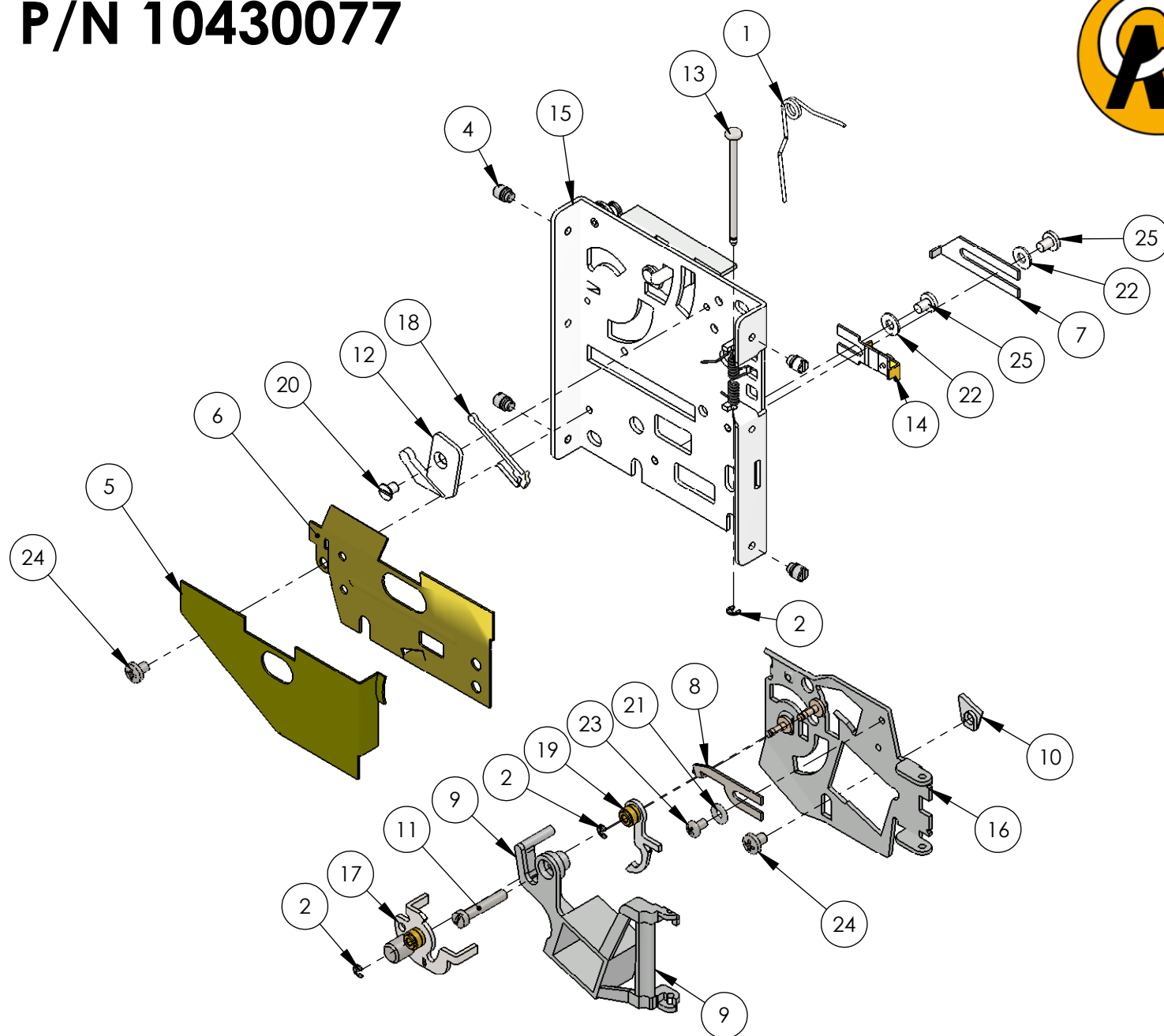


# P/N 10430077



ITEM NO.	PART NUMBER	DESCRIPTION	QTY.
1	04050001	SPRING,OPERATING LEVER	1
2	04050007	RETAINER, E-RING, 3/32"	3
3	04050089	SPRING,TORSION,DOUBLE,GATE	1
4	04060005-01	STUD,#6MTG,.,7G	4
5	04100006-02	COVERPLATE,RETURN	1
6	04100012-02	COVERPLATE,25C,"C",OVAL HOLE	1
7	04100016	KICKER	1
8	04100019-02	GAUGE,DIA,ADJ	1
9	04100031-02	GATE,MAGNET CASTING,2 LEGS	1
10	04100037-00	RAIL, CAST, 25C	1
11	04100039	SCREW, THICKNESS, ZNC & CLR, PATCH	1
12	04100057	RETAINER, SERRATION EXT	1
13	04100114	PIN,GATE PIVOT	1
14	05100001	SEPERATOR,ASSY	1
15	05100027	MAINPLATE,ASSY,STAKED,UNIVERSAL III	1
16	05100029	GATE, ASSY, STAKED, CAN, 25C	1
17	05100082	CRADLE, ASSY, STAKED, 0.940	1
18	05100130	ARM, ASSY, SERRATION , EXT	1
19	05100139	LEVER,ASSY,UNDERSIZE,25C	1
20	102-6-3	SCREW, 6-32 X 3/16, SLTD, PH	1
21	600-4	WASHER, FLAT #4	1
22	600-6	WASHER, FLAT #6	2
23	P-104-4-3	SCREW, 4-40 X 3/16, PHIL, PH, MS	1
24	P-108-6-2-1/2	SCREW, 6-32 X 5/32, PHIL, BIND HEAD	2
25	P-190-6-2	SCREW, 6-32 X 1/8, PHIL, PH, SERRATED, MS	2