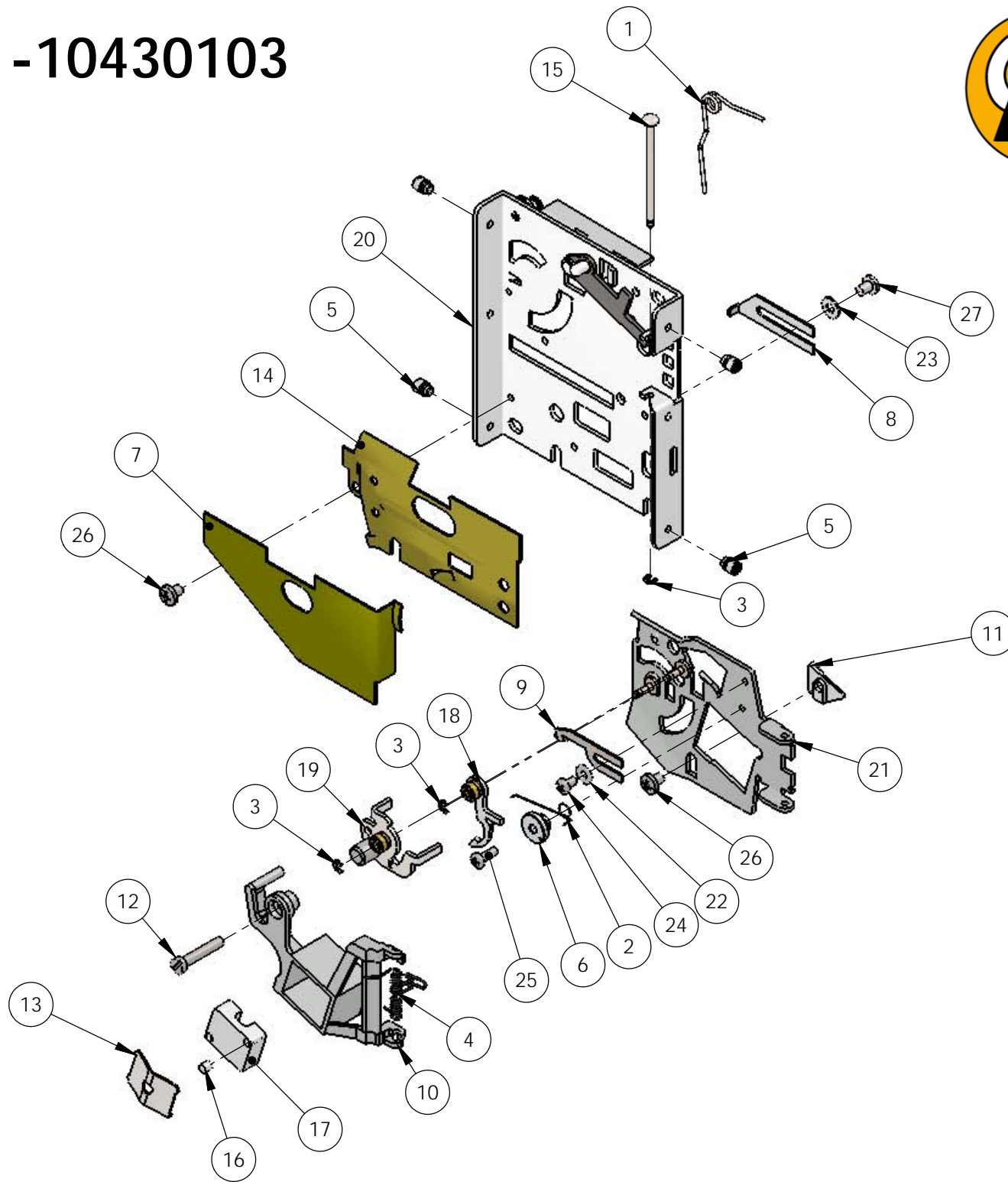


# P/N -10430103



ITEM NO.	PART NUMBER	DESCRIPTION	
1	04050001	SPRING,OPERATING LEVER	1
2	04050005	SPRING, USA, LEVER, SBA	1
3	04050007	RETAINER, E-RING, 3/32"	3
4	04050089	SPRING,TORSION,DOUBLE,GATE	1
5	04060005-01	STUD,#6MTG,.7G	4
6	04060011	RETAINER, SPRING LEVER, USA	1
7	04100006-02	COVERPLATE,RETURN	1
8	04100016	KICKER	1
9	04100019-02	GAUGE,DIA,ADJ	1
10	04100031-02	GATE,MAGNET CASTING,2 LEGS	1
11	04100035-00	RAIL, CAST, 5C, TAPPED	1
12	04100039	SCREW, THICKNESS, ZNC & CLR, PATCH	1
13	04100043-11	MAGNET,KEEPER	1
14	04100044-02	COVERPLATE,"E",OVAL HOLE, 1/2 SIDE FORM	1
15	04100114	PIN,GATE PIVOT	1
16	04100181	MAGNET, COBALT, .127 X .125	1
17	04100182	SPACER, MAGNET GATE, .125DIA	1
18	05100048	LEVER, ASSY, UNDERSIZED, 25C OFFSET	1
19	05100085	CRADLE, ASSY, STAKED, .955/.984	1
20	05100088	MAINPLATE,ASSY,STAKED,UNIVERSAL III	1
21	05100140	GATE, ASSY, STAKED, CAN, 25C	1
22	600-4	WASHER, FLAT #4	1
23	600-6	WASHER, FLAT #6	1
24	P-104-4-3	SCREW, 4-40 X 3/16, PHIL, PH, MS	1
25	P-104-4-5	SCREW, 4-40 X 5/16, PHIL, PH, MS	1
26	P-108-6-2-1/2	SCREW, 6-32 X 5/32, PHIL, BIND HEAD	2
27	P-190-6-2	SCREW, 6-32 X 1/8, PHIL, PH, SERRATED, MS	1