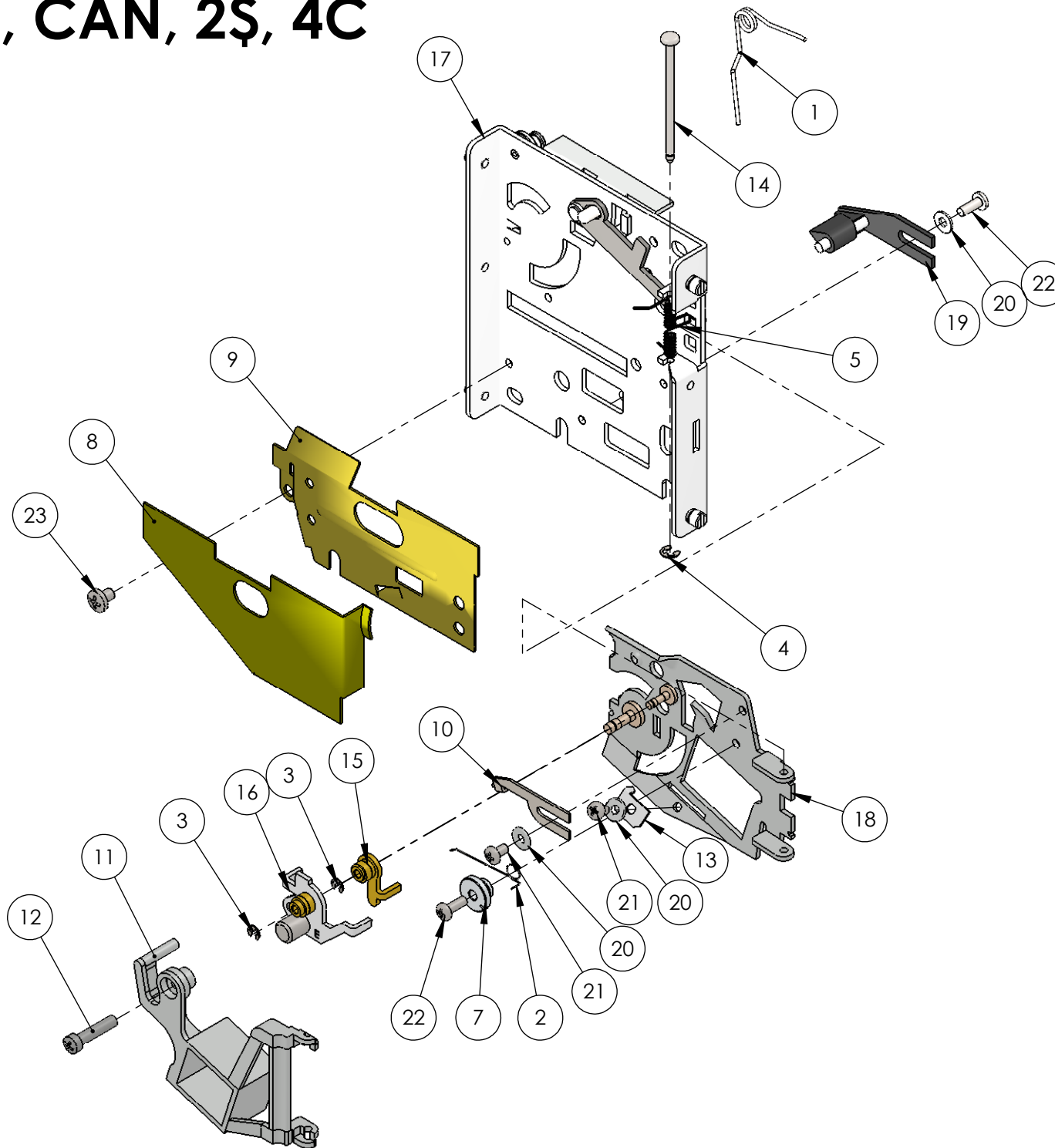


# P/N 10440071

## MECH, CAN, 2\$, 4C



ITEM NO.	PART NUMBER	DESCRIPTION	
1	04050001	SPRING,OPERATING LEVER	1
2	04050005	SPRING, USA, LEVER, SBA	1
3	04050007	RETAINER, E-RING, 3/32"	2
4	04050042	RETAINER, E-RING, 1/8"	1
5	04050089	SPRING,TORSION,DOUBLE,GATE	1
6	04060005-01	STUD,#6MTG,.7G	4
7	04060011	RETAINER, SPRING LEVER, USA	1
8	04100006-02	COVERPLATE,RETURN	1
9	04100011-02	COVERPLATE,25C,"C",OVAL HOLE	1
10	04100019-02	GAUGE,DIA,ADJ	1
11	04100031-02	GATE,MAGNET CASTING,2 LEGS	1
12	04100040	SCREW, THICKNESS, 6-32 X 5/8, SLOT	1
13	04100077-52	RAIL, GMN	1
14	04100114	PIN,GATE PIVOT	1
15	05100026	LEVER,ASSY,UNDERSIZED CUT, STAKED	1
16	05100063	CRADLE, ASSY, STAKED, 50C	1
17	05100088	MAINPLATE,ASSY,STAKED,UNIVERSAL III	1
18	05100102	GATE,ASSY,STAKED,SBA	1
19	05100121	RETAINER, ASSY, MAGNET	1
20	600-4	WASHER, FLAT #4	3
21	P-104-4-3	SCREW, 4-40 X 3/16, PHIL, PH, MS	2
22	P-104-4-5	SCREW, 4-40 X 5/16, PHIL, PH, MS	2
23	P-108-6-2-1/2	SCREW, 6-32 X 5/32, PHIL, BIND HEAD	1