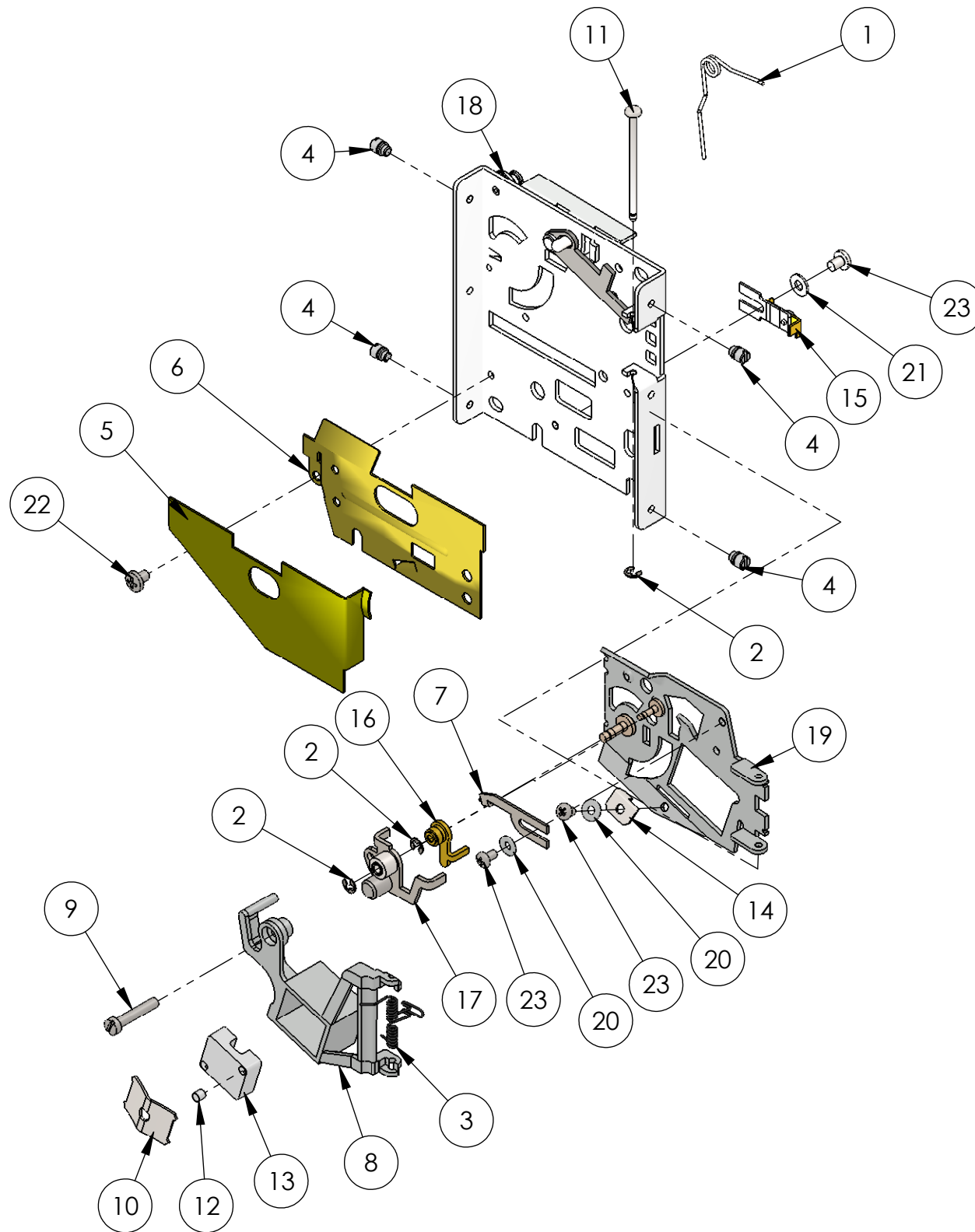


P/N 10450002



ITEM NO.	PART NUMBER	DESCRIPTION	
1	04050001	SPRING,OPERATING LEVER	1
2	04050042	RETAINER, E-RING, 1/8"	3
3	04050089	SPRING,TORSION,DOUBLE,GATE	1
4	04060005-01	STUD,#6MTG,.7G	4
5	04100006-02	COVERPLATE,RETURN	1
6	04100012-02	COVERPLATE,25C,"C",OVAL HOLE	1
7	04100019-02	GAUGE,DIA,ADJ	1
8	04100031-02	GATE,MAGNET CASTING,2 LEGS	1
9	04100039	SCREW, THICKNESS, ZNC & CLR, PATCH	1
10	04100043-11	MAGNET,KEEPER	1
11	04100114	PIN,GATE PIVOT	1
12	04100181	MAGNET,COBALT,.127X.125	1
13	04100182	SPACER,MAGNET GATE,.125DIA	1
14	04100184	RAIL, CAN \$1	1
15	05100001	SEPERATOR,ASSY	1
16	05100026	LEVER,ASSY,UNDERSIZED CUT, STAKED	1
17	05100043	CRADLE,ASSY,STAKED,1.055,LG BUSH	1
18	05100088	MAINPLATE,ASSY,STAKED,UNIVERSAL III	1
19	05100102	GATE,ASSY,STAKED,SBA	1
20	600-4	WASHER, FLAT #4	2
21	600-6	WASHER, FLAT #6	1
22	P-108-6-2-1/2	SCREW, 6-32 X 5/32, PHIL, BIND HEAD	1
23	P-190-6-2	SCREW, 6-32 X 1/8, PHIL, PH, SERRATED, MS	3