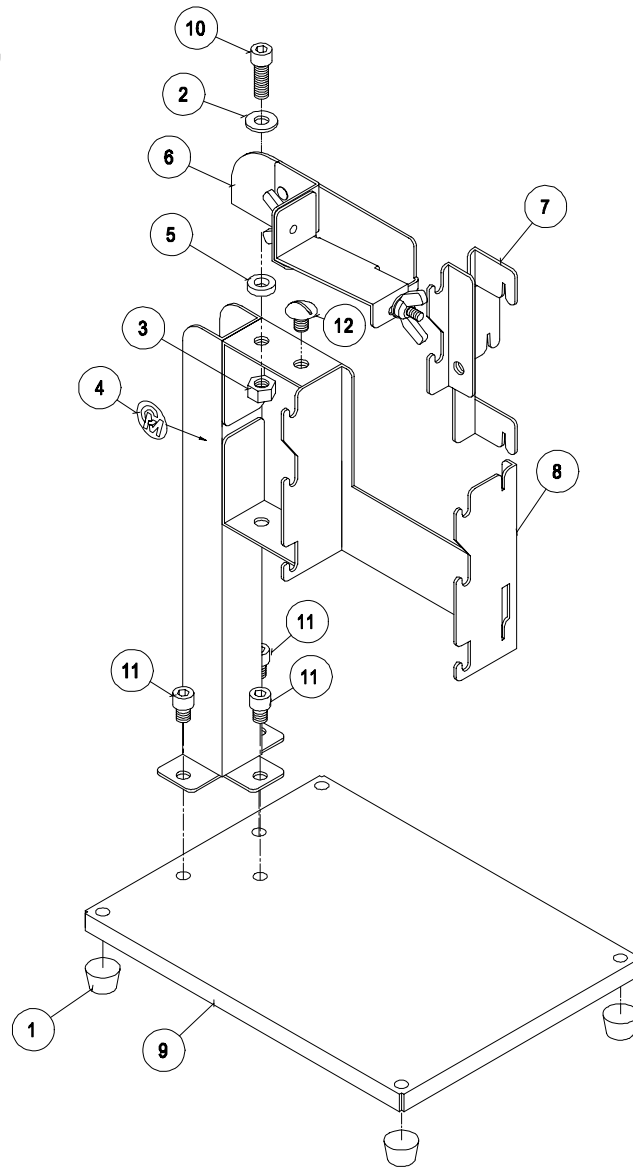


**P/N 05000009
TEST STAND,
UNIVERSAL**



ITEM	P/N	QTY	MATERIAL DESCRIPTION
1	04000027	4	FOOT,BUMPER,ADHESIVE-BACKED
2	04020007	1	WASHER,.575ODX.265ID,.0478,THK CRS
3	04030003	1	NUT,1/4-20,NYLON,LOCK STYLE
4	04090300	1	LABEL,CM,LOGO,RD
5	04170065	1	SPACER,PIVOT,TEST STAND
6	05170029	1	COINHEAD,ASSY,TEST STAND
7	05170030-05	1	BRKT ASSY,ADAPTOR,TEST STAND
8	05170032-05	1	TEST STAND,ASSY,SPOTWELD
9	05170035-05	1	BASE,ASSY,TEST STAND
10	120-416-16	3	SCREW,1/4-20X1.00 SOCKET HD
11	160-416-6	1	SCREW,1/4-20X.375,TRUSS HD