

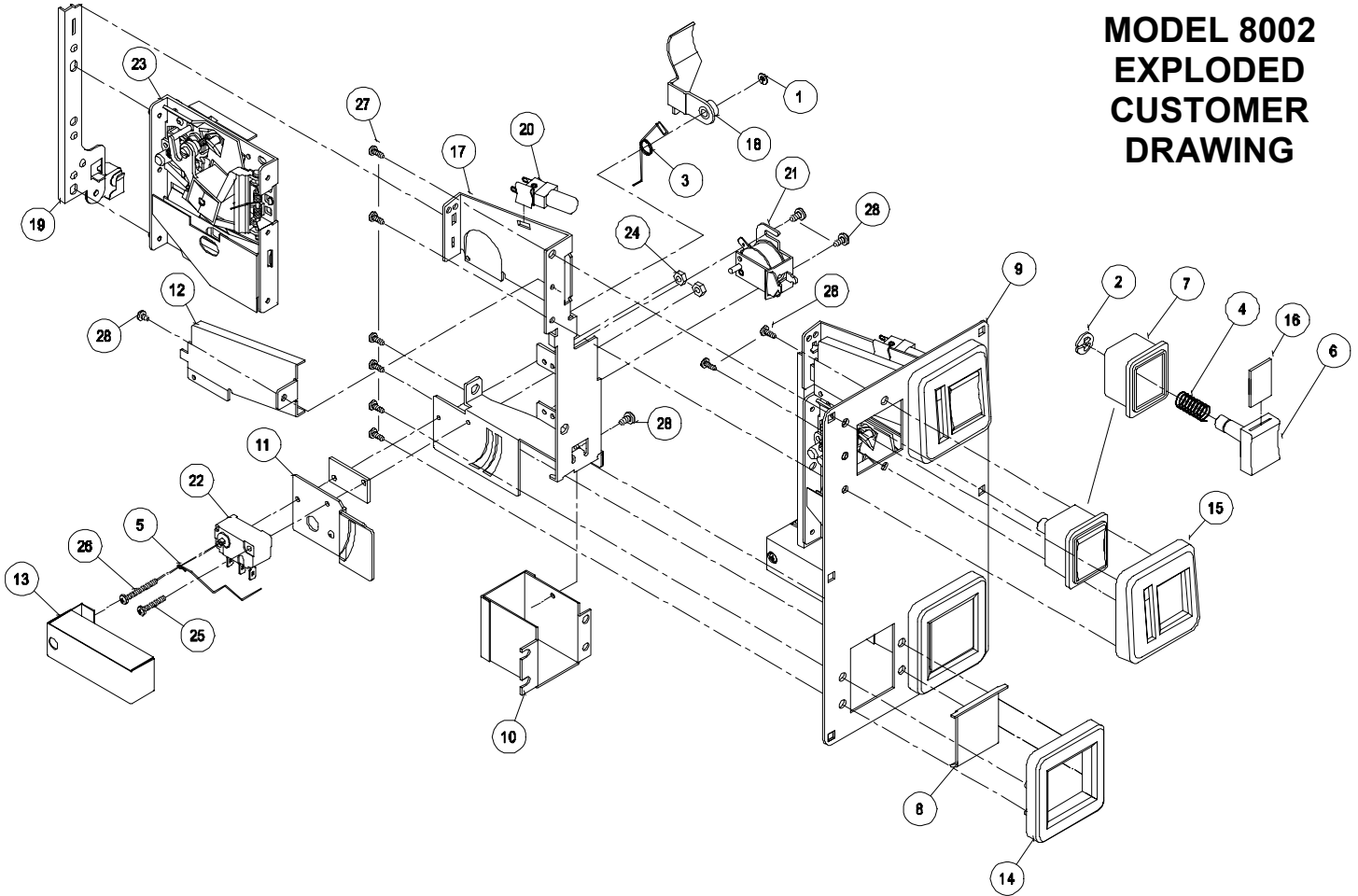


# COIN MECHANISMS INC.

*The Name in Validation Systems*

PO Box 5128, 400 Regency Drive, Glendale Heights, IL 60139 FAX: (630) 924-7088 VOICE: (630) 924-7070

## MODEL 8002 EXPLODED CUSTOMER DRAWING



ITEM	PART NO.	QTY	DESCRIPTION
1	04050016	2	RETAINER, "C" WASHER, 5/32 DIA PIN
2	04050018	2	RETAINER, "C" WASHER, 5/16 DIA PIN
3	04050036	2	SPRING, TORSION, REJECT LEVER, 80SERIES
4	04050037	2	SPRING, REJECT BUTTON RETURN
5	04050072	2	WIRE, SW, 5/25C, 8000
6	04800001-71	2	BUTTON, REJECT, LIGHTED, AMBER
7	04800002-71	2	HSG, REJECT BUTTON, AMBER
8	04800007-38	2	DR, CUP, COIN RETURN
9	04800042-37	1	FP, DBL, 5"
10	04800008-01	2	CUP, COIN RETURN
11	04800011-01	2	CHUTE, SWITCH, 25C
12	04800026-01	2	CHUTE, COIN ENTRY
13	04800086-52	2	COVER, SWTCH, LWR
14	04800071	2	BEZEL, RETURN CUP, PLASTIC, 2.16
15	04800075	2	BEZEL, COIN ENTRY, 25C, 2.16
16	04800103	2	DENOM INS, 25C
17	05800001	2	BRKT, ASSY, MECH MTG
18	05800004	2	LEVER, ASSY, REJECT, MOLDED
19	05800015	2	BRKT, ASSY, MECH RETAINING, UNIVERSAL
20	06800040	2	SOCKET ASSY, 14V
21	08250138	2	COIL, CREM, 10VDC, 9/32PIN
22	08290009	2	SW, COIN, BD, .187 TERM, 5G
23	10130003	2	MECH, USA, 25C, L
24	406-4	2	NUT, 4-40, 3/32 X 1/4, HEX STEEL
25	P-104-4-12	2	SCREW, 4-40 X 1, PHIL, PH, MS
26	P-104-4-16	2	SCREW, 4-40 X 3/4, PHIL, PH, MS
27	P-217-8-6	16	SCREW, 8-3/8, PHIL, PH, HI-LO
28	PSQ-216-6-4	8	SCREW, 6-32 X 1/4, PHIL/SQUARE, PH