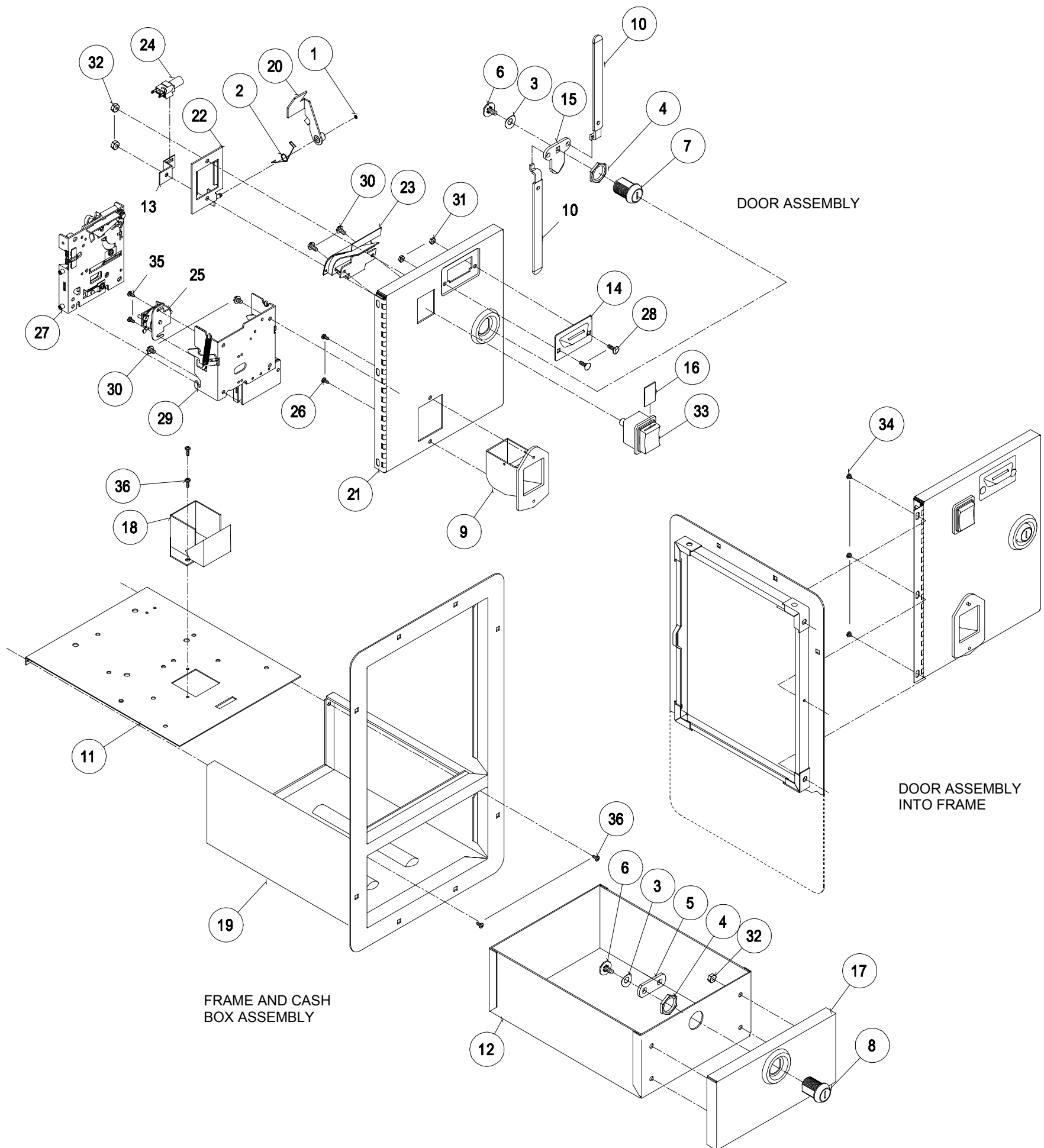




COIN MECHANISMS INC.

Where The Money Meets The Machine

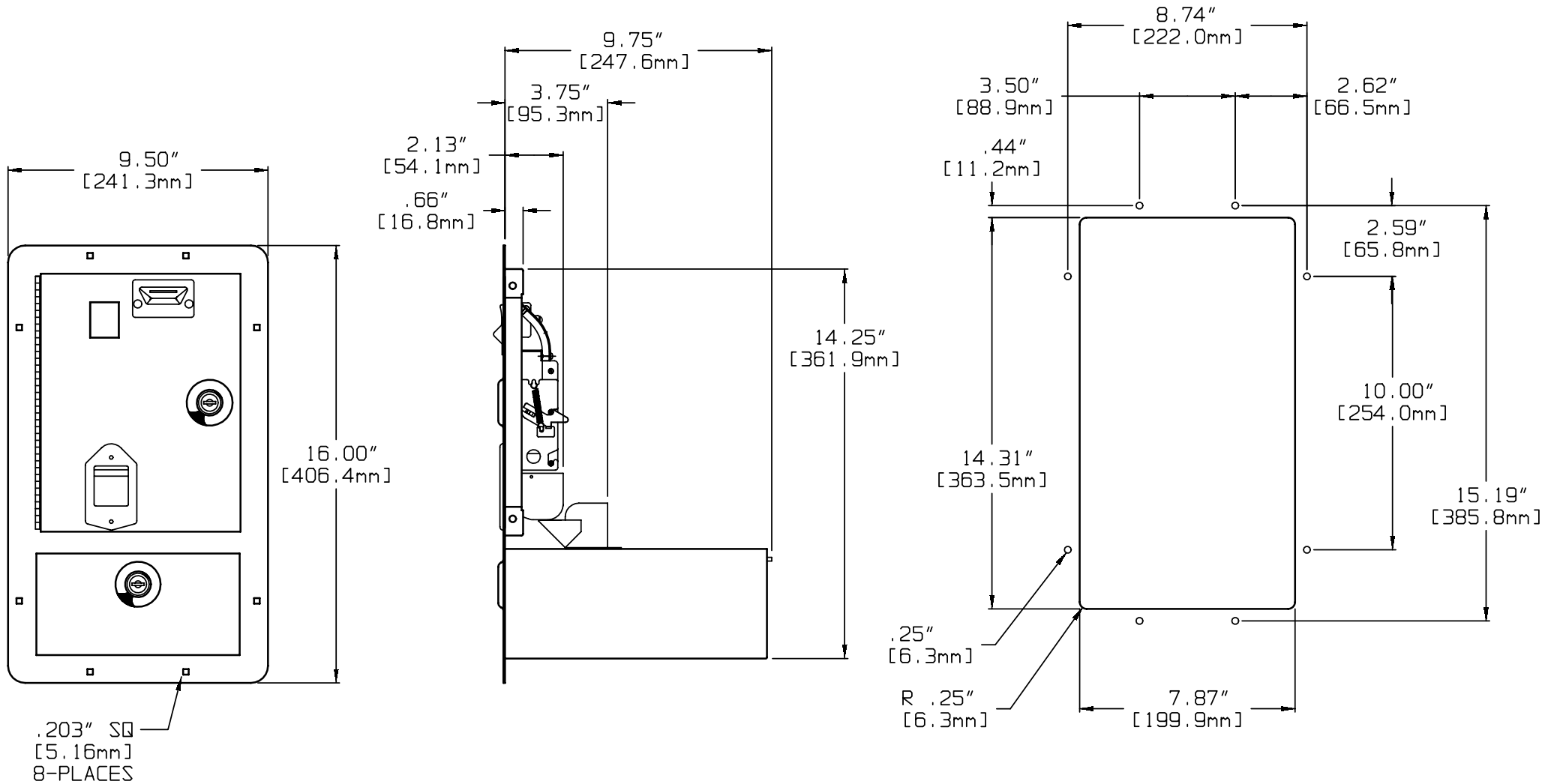
PO Box 5128, 400 Regency Drive, Glendale Heights, IL 60139-5128 VOICE: 630/924-7070 1-800-323-6498 FAX: 630/924-7088



P/N 61010145

MATERIAL COLUMN				MATERIAL COLUMN			
ITEM	PART NO.	QTY	MATERIAL DESCRIPTION	ITEM	PART NO.	QTY	MATERIAL DESCRIPTION
1	04050016	1	RETAINER,"C"WASHER, 5/32DIA PIN	19	05610014-37	1	FRAME,ASSY,CASH DRAWER,9-/12"
2	04050036	1	SPRING,TORSION,REJECT LEVER,	20	05770005	1	LEVER,ASSY,REJECT W/CHNL
3	04090021	2	WASHER,ARC,.015 X.28ID X.62 OD	21	05770008-37	1	DR,ASSY,CHNL MTG
4	04090086	2	NUT,PANEL,3/4-24,STAMPED	22	05770010	1	HSG,ASSY,REJECT,RETAINER,MOD
5	04090087	1	CAM,1/8X5/8X1-1/4,DBL"D"	23	05770014	1	CHUTE,ASSY,COIN ENTRY
6	04090569	2	SCREW,10-24X3/8,PHIL,HX,SEM	24	06800040	1	SOCKET ASSY,14V
7	04090573	1	LOCK,7/8,FK,KA,#SA103,HUDWAVE	25	08250111	1	COIL,CREM,12VDC,3/16PIN
8	04090575	1	LOCK,7/8,FK,KA,#SA105,HUDWAVE	26	114-8-3	2	SCREW,8-32X3/16,UNSLTD,HEX
9	04330106-07	1	CUP,COIN RETURN,SIDE HOLES	27	10150006	1	MECH,USA,\$.4B,GOLDEN \$ SBA
10	04610005-02	2	BAR,LOCKING,3PT,4.00	28	118-6-6	2	BOLT,CARRIAGE,6-32X3/8
11	04610010	1	COVER,SHROUD,CASH DRAWER	29	17000016	1	CHNL ASSY,4B,USA,SBA\$
12	04610087	1	CASH,DRAWER,9"	30	209-8-4	4	SCREW,8-32X1/4,HEX,W/HD ROLOK
13	04770018-01	1	BRKT,LAMP MTG	31	400-6	2	NUT,6-32X1/4 HEX NUT
14	04770030-11	1	INS,COIN,TKN,1125	32	410-8	6	NUT,8-32 FINISHED HEX NUT
15	04770042-01	1	CAM,3PT,LOCKING	33	50780002	1	KIT ASSY,BUTTON,NO DENOM,AMBER
16	04800105	1	DENOM INS,\$1.00	34	P-108-6-2-1/2	3	SCREW,6-32X5/32,PHIL,BIND HEAD
17	05610004-37	1	FRONT,ASSY,CASH DRAWER	35	P-190-6-2	2	SCREW,6-32X1/8,PHIL,PH
18	05610006	1	CHUTE,ASSY,DROP	36	PSQ-216-6-4	4	SCREW,6-32X1/4,PHIL/SQUARE,PH

6100 SERIES CASH DRAWER DIMENSIONS



DWG. NO. 09300100



COIN MECHANISMS INC. 7/98

P.O. Box 5128, Glendale Heights, IL 60139-5128*1-800/323-6498*FAX 630/924-7088
 E-MAIL coinmech@coinmech.com VISIT OUR WEBSITE AT www.coinmech.com