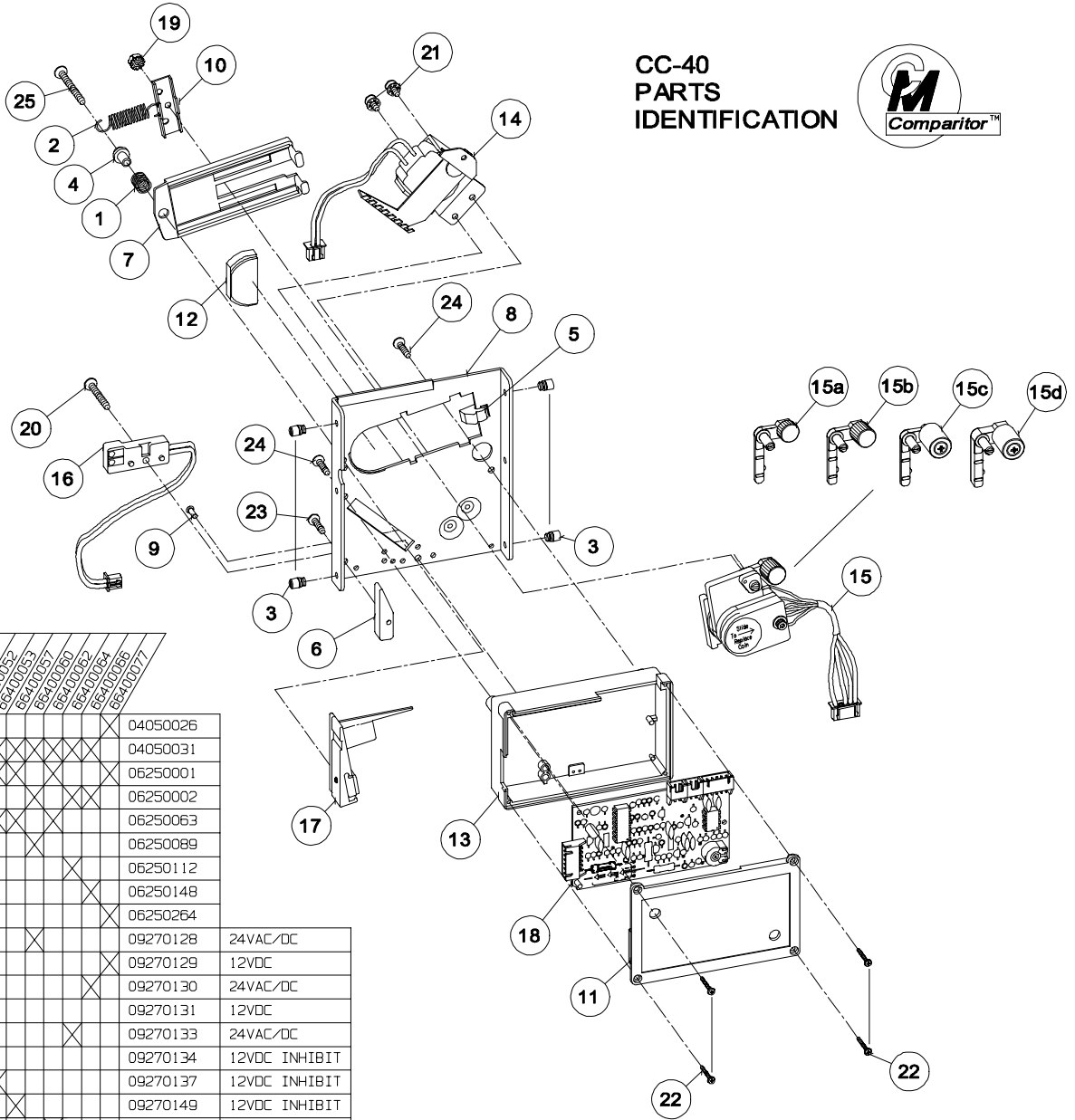


CC-40  
PARTS  
IDENTIFICATION



ITEM NO	P/N	DESCRIPTION
2	04050026	
	04050031	
13	06250001	
	06250002	
	06250063	
14	06250089	
	06250112	
	06250148	
	06250264	
	09270128	24VAC/DC
	09270129	12VDC
	09270130	24VAC/DC
	09270131	12VDC
18	09270133	24VAC/DC
	09270134	12VDC INHIBIT
	09270137	12VDC INHIBIT
	09270149	12VDC INHIBIT
	09270191	12VDC INHIBIT

MATERIAL COLUMN

ITEM	P/N	QTY	MATL DESCRIPTION	ITEM	P/N	QTY	MATL DESCRIPTION
1	04050027	1	SPRING, COMPRESSION, COIL RETAINER	15a	06660012	—	DAMPNER & WEIGHT, ASSY, 2.6G, DBL NUT
2	0405XXXX	1	SPRING, EXTENSION, COIL LOCKING	15b	06660013	—	DAMPNER & WEIGHT, ASSY, 6G, DBL NUT
3	04060005-01	1	STUD, #6 MTG	15c	06660014	—	DAMPNER & WEIGHT, ASSY, 14.2G, DBL NUT
4	04060052-01	1	BUSHING, SPRING RETAINING	15d	06660076	—	DAMPNER & WEIGHT, ASSY, 14.2G, THK
5	04660002	1	STOP, SENSING COIL SAFETY	16	06660016	1	PCB, ASSY, LED, 2 HSG
6	04660021	1	SPACER, COIN EXIT, .155	17	06660038	1	RAIL, ASSY, SM RAIL, STD INSERT
7	04660030	1	SHIELD, SENSOR COIL RETAINING	18	0927XXXX	1	PCB, CTRL,
8	04660033-05	1	MAINPLATE, OPTICS	19	436-4	1	NUT, 4-40, HEX, KEPS
9	04660034-02	1	PIN, COIN DEFLECTOR	20	P-104-4-8	1	SCREW, 4-40 X 3/8, PHIL. PH, MS
10	04660062-01	1	BRKT, COIL LOCKING	21	P-186-4-3	2	SCREW, 4-40 X 3/16, PHIL, SEMS WASHER
11	04660098	1	COVER, PCB	22	P-217-2-5	4	SCREW, 2 X 5/16, PHIL, PH, HI-LO
12	04660133	1	SPACER, SENSOR COIL, 1.205 DIA	23	P-221-4-3	1	SCREW, 4 X 3/16, PHILTYPE 45 PLASTITE
13	05660029	1	HSG, ASSY, PCB, .150, ELEVATED, NO STEP	24	P-221-4-4	2	SCREW, 4 X 1/4, PHILTYPE 45 PLASTITE
14	0625XXXX	1	COIL & BRKT, ASSY,	25	P-221-4-12	1	SCREW, 4 X 3/4, PHILTYPE 45 PLASTITE
15	0625XXXX	1	COIL, ASSY, SENSOR,				



**COIN MECHANISMS INC.**

P.O. Box 5128, Glendale Heights, IL 60139-5128\*1-800/323-6498\*FAX 630/924-7088  
E-MAIL coinnech@coinnech.com VISIT OUR WEBSITE AT www.coinnech.com