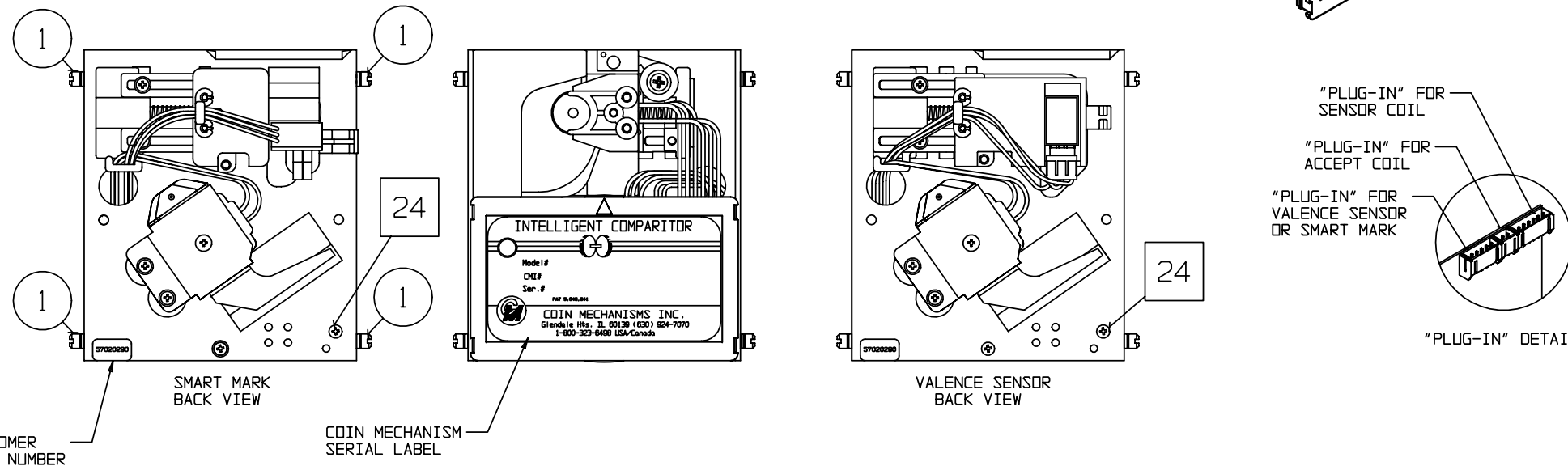
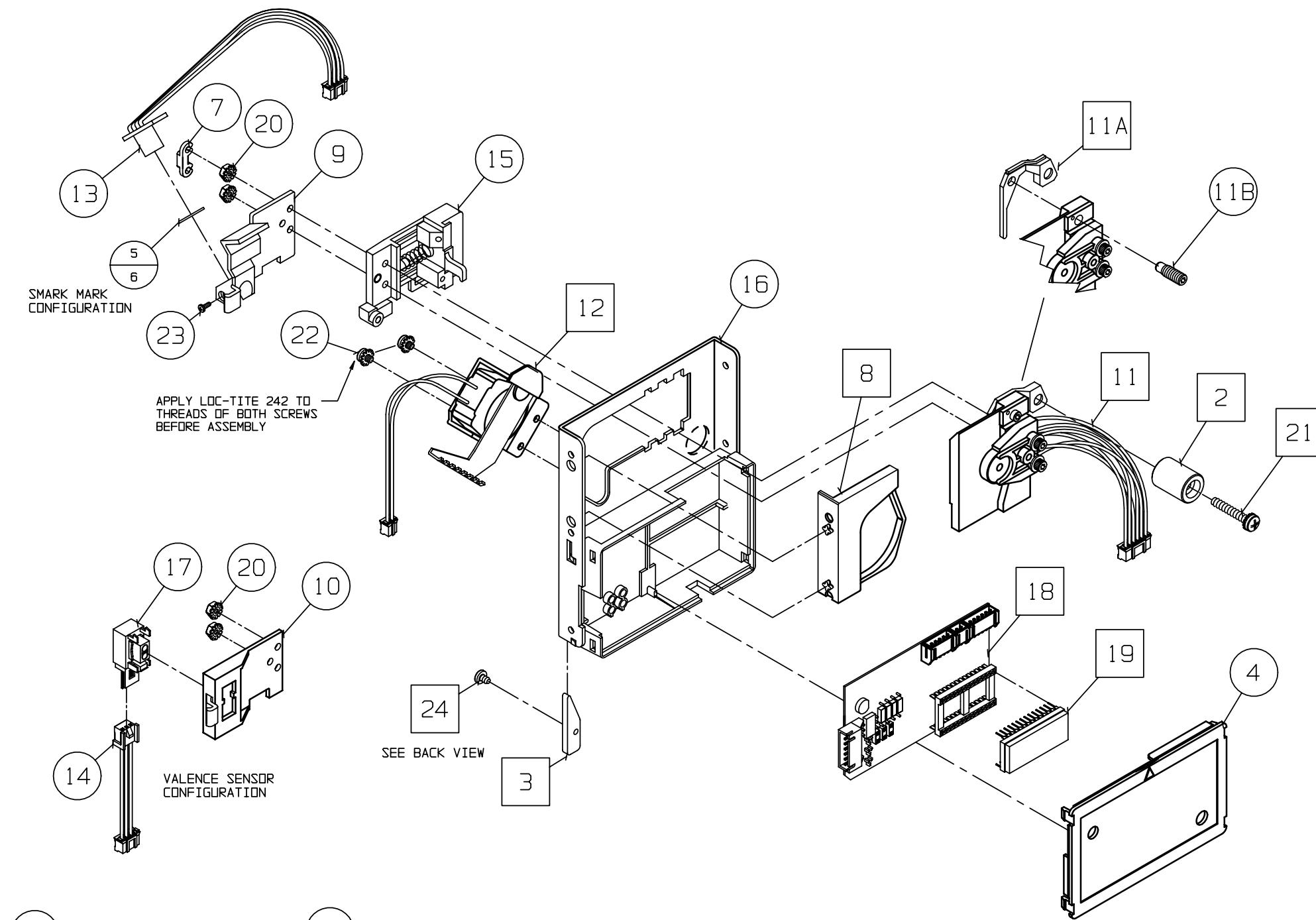


MATERIAL COLUMN			
ITEM	P/N	QTY	MATL' DESCRIPTION
1	04060005-01	4	STUD, #6
2	0406XXXX	1	WEIGHT, DAMPER, (SEE DOC #09300019)
3	04660113	1	SPACER, COIN EXIT, .113 (SEE PAGE 2)
	04690406	1	SPACER, COIN EXIT, IC, .146, EURO (SEE PAGE 2)
4	04660165	1	COVER, PCB HSG, UNIVERSAL
5	04690243	A/R	SPACER, IC, .010
6	04690244	A/R	SPACER, IC, .020
7	04690276	1	CLIP, WIRE, BARCODE, IC
8	0469XXXX	1	HOLDER, TKN, IC, (SEE PAGE 2)
9	0469XXXX	1	HOLDER, BC RDR, (SEE PAGE 2)
10	04690104	1	HOLDER, VALENCE READER
11	0625XXXX	1	COIL, ASSY, SENSOR, IC (SEE PAGE 2)
11A	0569XXXX	—	LEVER, ASSY, DAMPER, IC, (SEE PAGE 2)
11B	04690266-01	—	PIN, PIVOT, DAMPER, IC
12	06250134	1	COIL & BRKT, ASSY, GRN, 4", PHR (SEE PAGE 2)
	06250195	1	COIL & BRKT, ASSY, GRY, 4", PHR (SEE PAGE 2)
13	06270045	1	PCB, ASSY, BC RDR, SM, TESTED
14	06280101	1	HARNESS, VAL, 3 PIN AMP, 4 PIN PHR, RED/BLK/VID, 5.25
15	06650258	1	RETAINER, ASSY, IC, SPRING
16	06680017	1	CHASSIS, IC-16, STANDARD COIN (SEE PAGE 2)
	06680022	1	CHASSIS, IC-16, SMALL COIN (SEE PAGE 2)
17	08290208	1	PHOTOINTERRUPTER, REFLECTIVE
18	0927XXXX	1	PCB, CTRL, IC, (SEE PAGE 2)
19	0950-000XXXX	1	IC, 87C752 (SEE PAGE 2)
20	436-4	2	NUT, 4-40, HEX, KEPS
21	P-166-6-X	1	SCREW, 6-32 X (SEE DOCUMENT #09300019)
22	P-186-4-3	2	SCREW, 4-40 X 3/16, PHIL/SQ, INT SEMS WASHER
23	P-217-2-5	1	SCREW, 2 X 5/16, PHIL, PH, HI-LD
24	P-221-4-3	1	SCREW, 4 X 3/16, PHIL, TYPE 45, PLASTITE

NOTES:

1. SEE INDIVIDUAL BILLS OF MATERIALS FOR VARIABLE SINGLE COMPONENTS INDICATED BY SQUARE BALLONS.
2. SEE INDIVIDUAL BILLS OF MATERIALS FOR HARNESS REQUIREMENTS.



RELEASED; SEE INDIVIDUAL P/N'S FOR REVISION LEVELS		9/11/02 DF	
NO.	ECO NO.	REVISIONS	
DATE/DATE		DATE/DATE	
TITLE		IC-16, P/N IDENTIFICATION	
DRAWN		DF	DATE 4/30/02
CHKD		DATE	
APP		DATE	
DWG NO.		D0681603	
SIZE: D		SCALE: N/A	FINISH: N/A
SHT 1 OF 2			

COIN MECHANISMS INC.
400 REGENCY DR.
GLENDALE HEIGHTS, IL 60139

TOLERANCES
NOT SPECIFIED
FRACTIONS= ± 1/64
ANGLES= ± 1°
.XX= ± .010
.XXX= ± .005
HOLE DIA.= ± .002

CRITICAL SYMBOLS
▼ = CUSTOMER
▽ = PROCESS
▽ = BOTH

This drawing is the property of and contains proprietary information of Coin Mechanisms Inc. The drawing shall be returned upon request and is not to be copied or disclosed without written authorization and will not be used in any way detrimental to the interest of Coin Mechanisms.



IC WITH COVER REMOVED

TOKEN HOLDER P/N

04690059



13 VOLT WILL HAVE IDENTIFYING LABEL INSTEAD OF REGULATOR

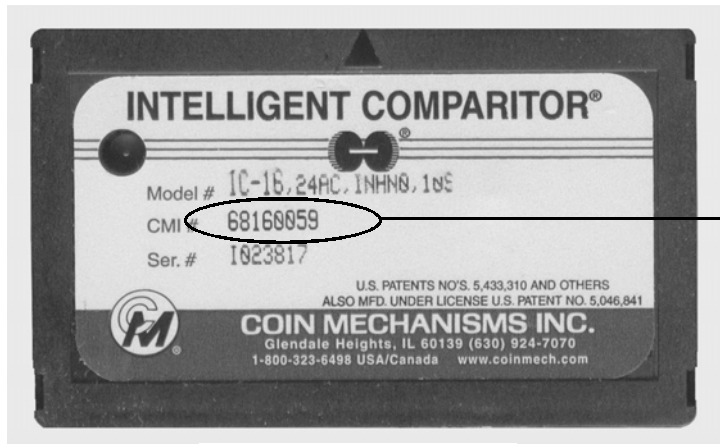
PCB P/N

09270436

MICRO P/N (MAY HAVE 0950-000XXX FORMAT)

09290415 NONOPTIC.600

Pot S Pot C



IC COVER

INTELLIGENT COMPARITOR®

Model # IC-16, 24AC, 1NH8, 1W5
CMI 68160059
Ser. # 1023817

U.S. PATENTS NO'S. 5,433,310 AND OTHERS
ALSO MFD. UNDER LICENSE U.S. PATENT NO. 5,046,841
COIN MECHANISMS INC.
Glendale Heights, IL 60139 (630) 924-7070
1-800-323-6498 USA/Canada www.coinmech.com

INTELLIGENT COMPARITOR P/N

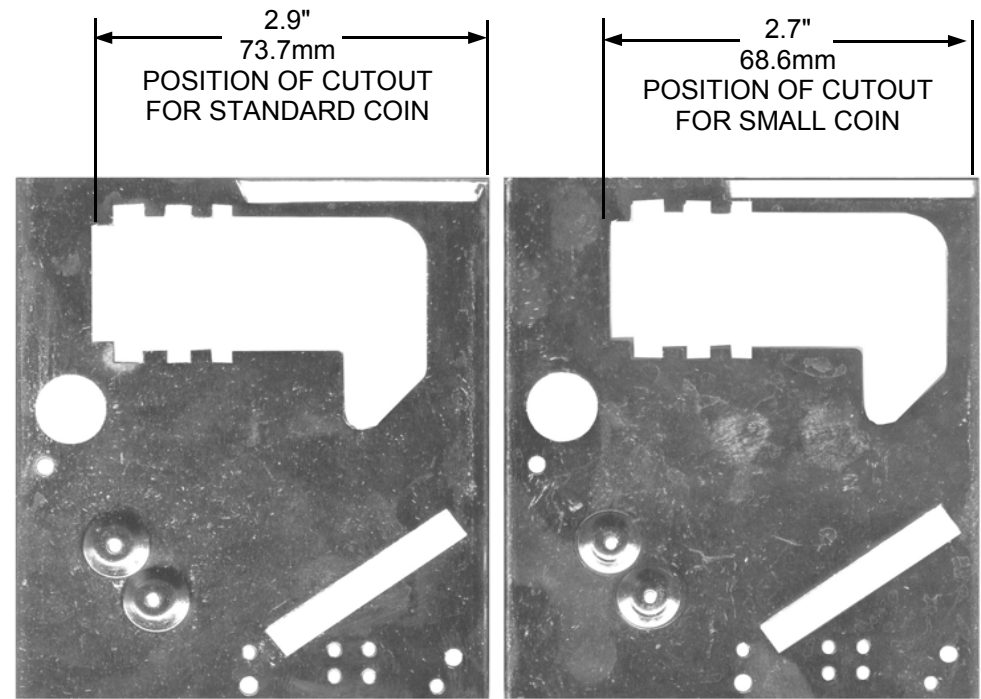


P/N 04660113
FOR COIN DIAMETERS
BETWEEN
1.044" [26.5mm]-1.124" [28.5mm]



P/N 04690406
FOR COIN DIAMETERS
BETWEEN
.898" [22.8mm] -1.043" [26.5mm]

COIN EXIT SPACERS



2.9" 73.7mm
POSITION OF CUTOUT
FOR STANDARD COIN

2.7" 68.6mm
POSITION OF CUTOUT
FOR SMALL COIN

SENSOR COIL SLOT POSITION ON MAINPLATE IN CHASSIS ASSEMBLY

P/N 06680017-STANDARD COIN
COIN DIAMETERS
1.045" [26.5mm] -1.575" [40.0mm]

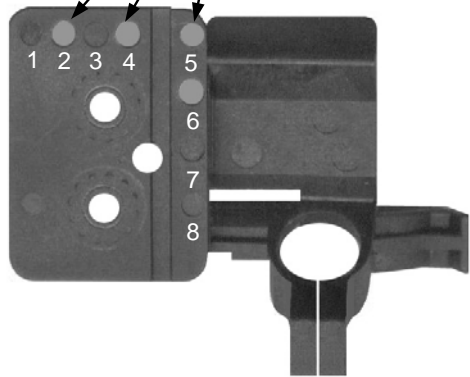
P/N 06680022-SMALL COIN
COIN DIAMETERS
.870" [22.1mm] -1.575" [40.0mm]

P/N 05690XXX
LAST SIGNIFICANT
DIGITS MOLDED
ON DAMPER LEVER

38

DAMPER LEVER

COLOR, PLACEMENT AND
NUMBER OF DOTS
IDENTIFIES BARCODE
HOLDER P/N



BARCODE HOLDER



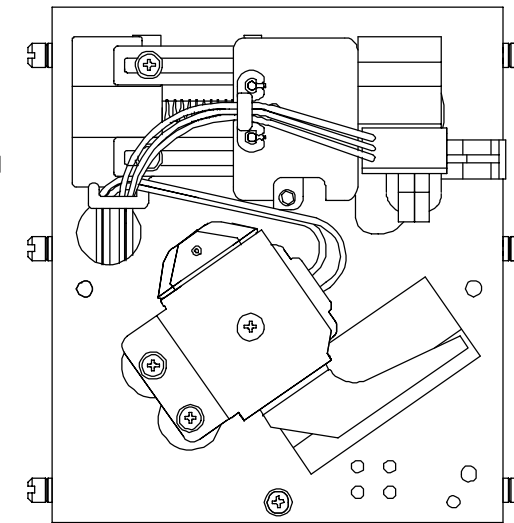
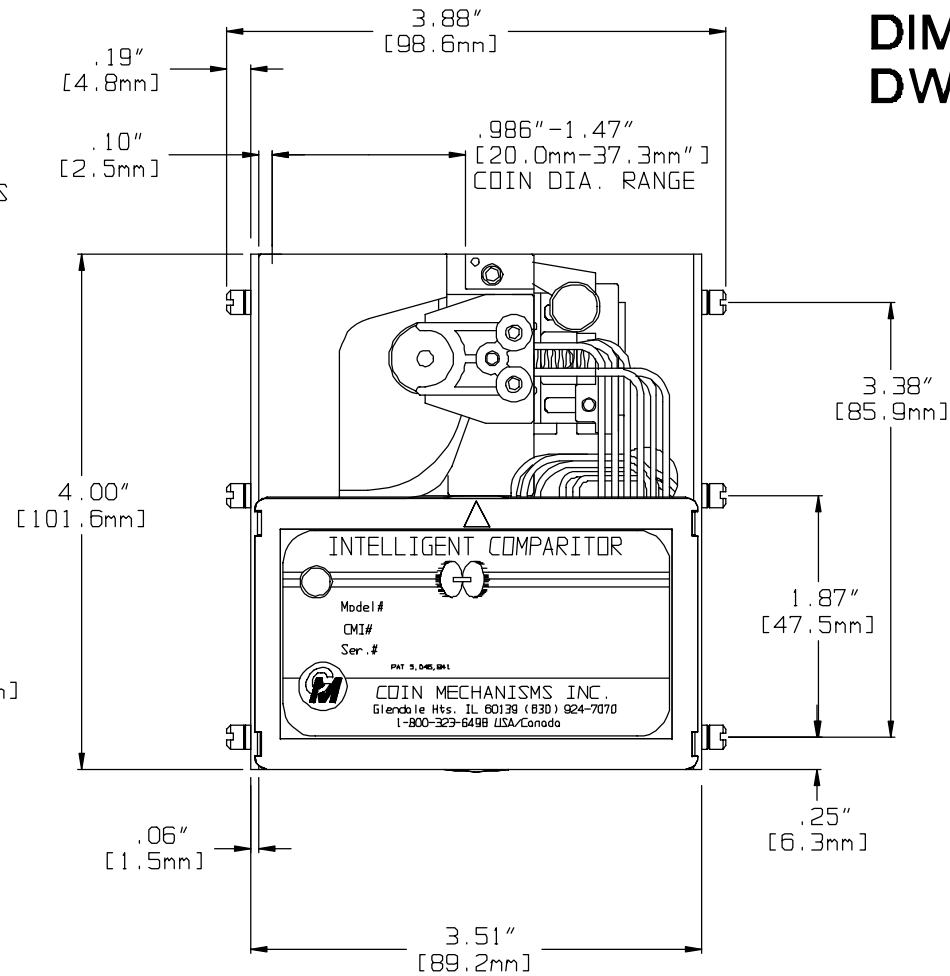
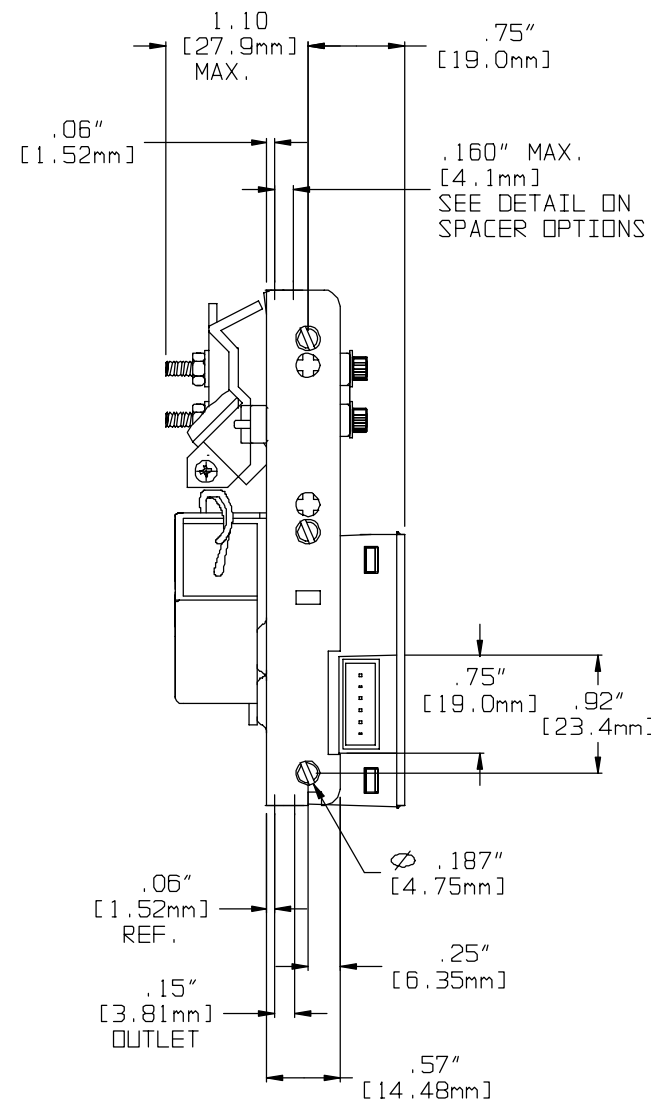
ACCEPT COIL ASSEMBLY

P/N 06250134= GREEN WIRES FOR LOW VOLTAGE (12-13VDC)

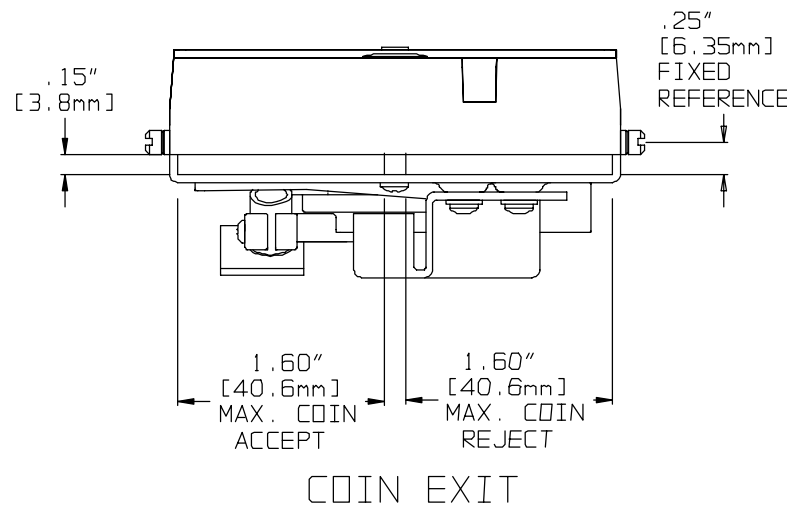
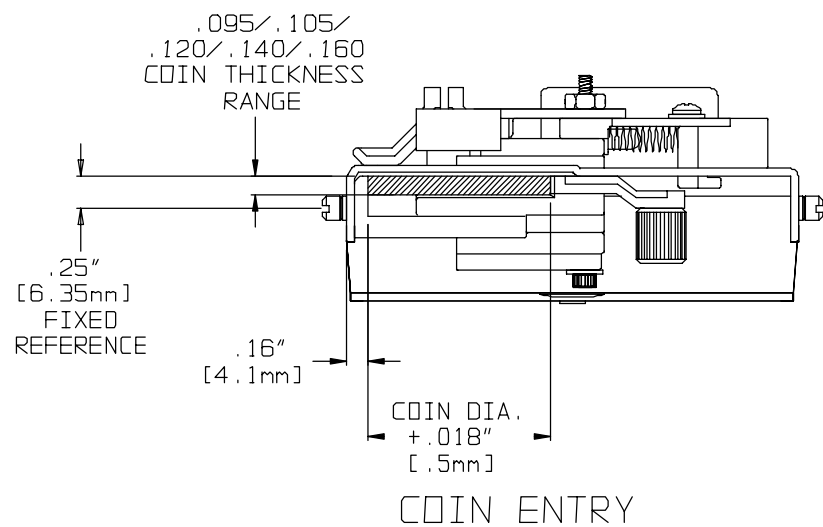
P/N 06250195= GRAY WIRES FOR HIGH VOLTAGE (24VAC)

X X		RELEASED; SEE INDIVIDUAL P/N'S FOR REVISION LEVELS			9/12/02 DF
NO.	ECD NO.	REVISIONS			DATE/BY
COIN MECHANISMS INC. 400 REGENCY DR. GLENDALE HEIGHTS, IL 60139		TOLERANCES NOT SPECIFIED FRACTIONS= ± 1/64 ANGLES= ± 1° .XX= ± .010 .XXX= ± .005 HOLE DIA.= ± .002		TITLE IC-16 P/N IDENTIFICATION	
This drawing is the property of and contains proprietary information of Coin Mechanisms Inc. The drawing shall be returned upon request and is not to be copied or disclosed without written authorization and will not be used in any way detrimental to the interest of Coin Mechanisms.		CRITICAL SYMBOL 		DRAWN DF DATE 6/7/02	CHECKD DATE
SIZE: B N/A		FINISH: N/A		APP DATE DWG NO. D0681603 SHT 2 OF 2	

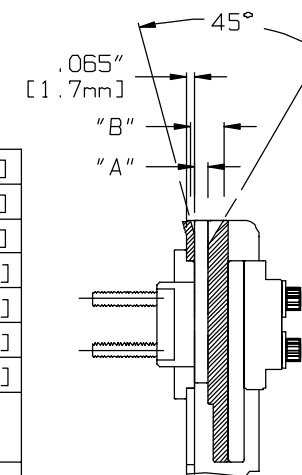
IC-16 SMART MARK DIMENSIONS DWG# ENG00089



BACK VIEW
ROUTING FOR ACCEPT COIL LEADS



.160" [4.1mm]	.310" [7.9mm]
.140" [3.6mm]	.290" [7.4mm]
.120" [3.0mm]	.270" [6.9mm]
.105" [2.7mm]	.255" [6.5mm]
.095" [2.4mm]	.245" [6.2mm]
.082" [2.1mm]	.232" [5.9mm]
.072" [1.8mm]	.222" [5.3mm]
"A" SPACER	"B" ENTRY OPTIONS



COIN MECHANISMS INC.

P.O. Box 5128, Glendale Heights, IL 60139-5128 P/N ENG00089 -5/02
 630/924-7070*1-800/323-6498*FAX 630/924-7088*E-MAIL-coinnech@coinnech.com
 VISIT OUR WEB SITE AT www.coinnech.com