



COIN MECHANISMS INC.

Where The Money Meets The Machine

817 Industrial Drive Elmhurst, Illinois 60126 - 1107

VOICE: 1-630-924-7070 1-800-323-6498

FAX: 1-630-924-7088

ATV-3 TIMER 24 Volts DC

Part No. 09780010

Specifications

Input Voltage = 24 Volts DC 20 VDC min. 28 VDC max.

Power Consumption = 1.2 Watts max.

Coin Micro-Switch Input = 25 millisecond min. ON, 30 millisecond min. OFF

Switched Output Voltage = Input Voltage

Switched Output Rating = SPDT, 20 Amp @ 120/240VAC, 2 HP

Temperature = Operating: -40° C to 65° C, Storage: -40° C to 85° C

Humidity = 95% relative non-condensing

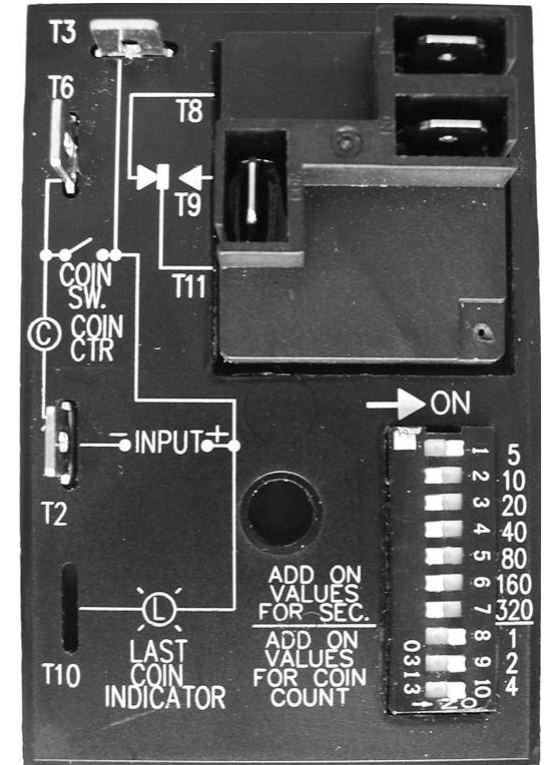
Number of Coins to Vend = 1 to 7 (selectable via three DIP switches)

Accumulator Time per Vend = Time selected by switch setting is per coin
(via seven DIP switches)

1 Coin Time = 5 seconds Minimum to 10 minutes 35 seconds Maximum

7 Coin Time = 35 seconds Minimum to 1 hour 14 minutes 5 seconds Maximum

Additional Time = Coin inserted during a Vend adds additional time



Mechanical

- Package: epoxy-encapsulated 2" x 3" x 1.25"
- Mounting: 0.25" diameter hole for up to #10 screw
- Terminations:
(ATV-3 Timer) .25" male quick connect terminals
(Terminal Block) stripped wire 14 to 22 AWG using flat blade screwdriver for screw clamp
- Relay MTBF: 10 million operations

UL Recognized UL file # E125360

UL Guide NMFT2, cUL Guide NMFT8



COIN MECHANISMS INC.

Where The Money Meets The Machine

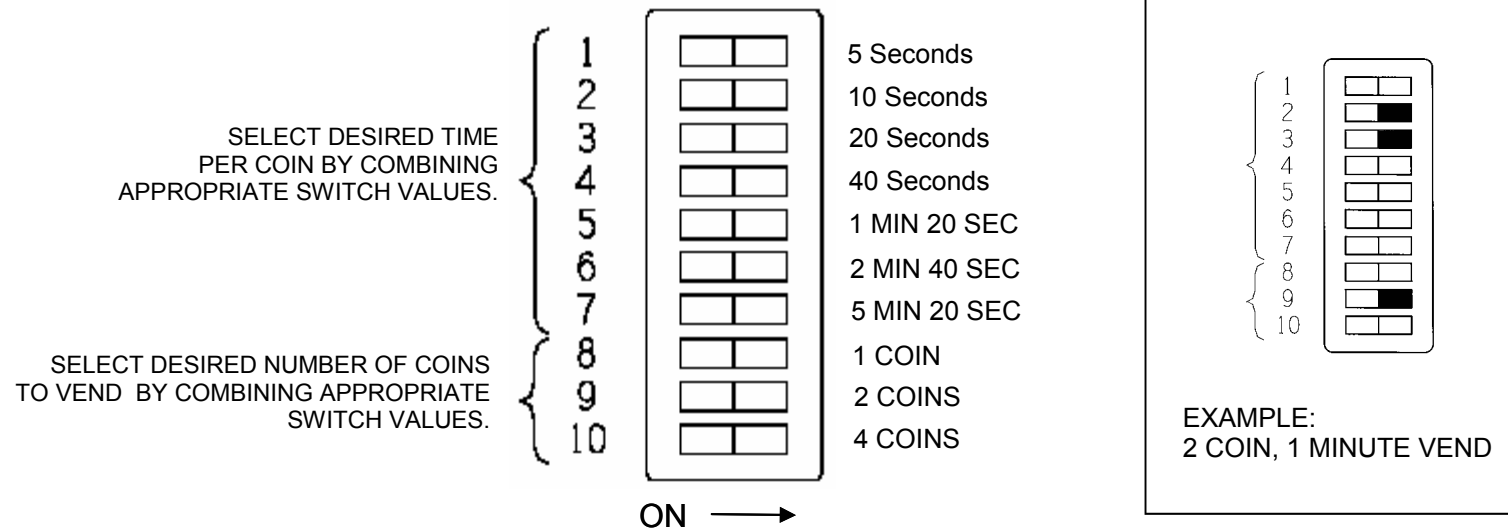
817 Industrial Drive Elmhurst, Illinois 60126 - 1107

VOICE: 1-630-924-7070 1-800-323-6498

FAX: 1-630-924-7088

**ATV-3 TIMER 24 Volts DC
P/N 09780010**

SWITCH SETTINGS



Total Vend (or switched power on) Time =
Number of Seconds X Number of Coins Selected on the Switch



COIN MECHANISMS INC.

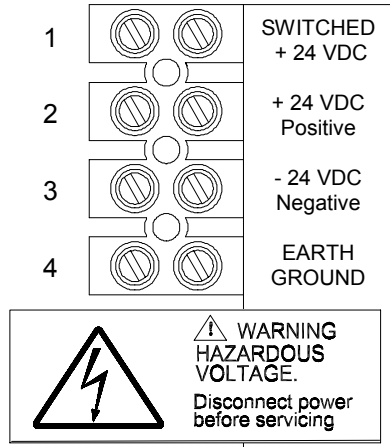
Where The Money Meets The Machine

817 Industrial Drive Elmhurst, Illinois 60126 - 1107

VOICE: 1-630-924-7070 1-800-323-6498

FAX: 1-630-924-7088

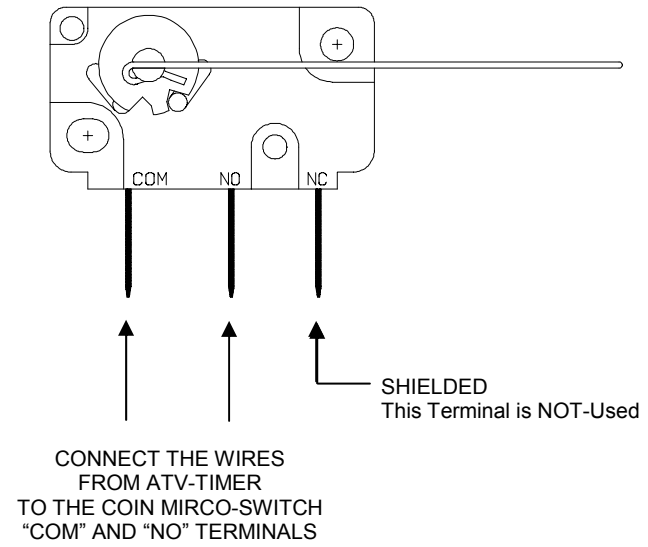
TERMINAL BLOCK CONNECTIONS



(+) 24 Volts DC Positive -
Switched Output from Timer

24 Volts DC
Input to Timer

COIN MICRO-SWITCH CONNECTIONS



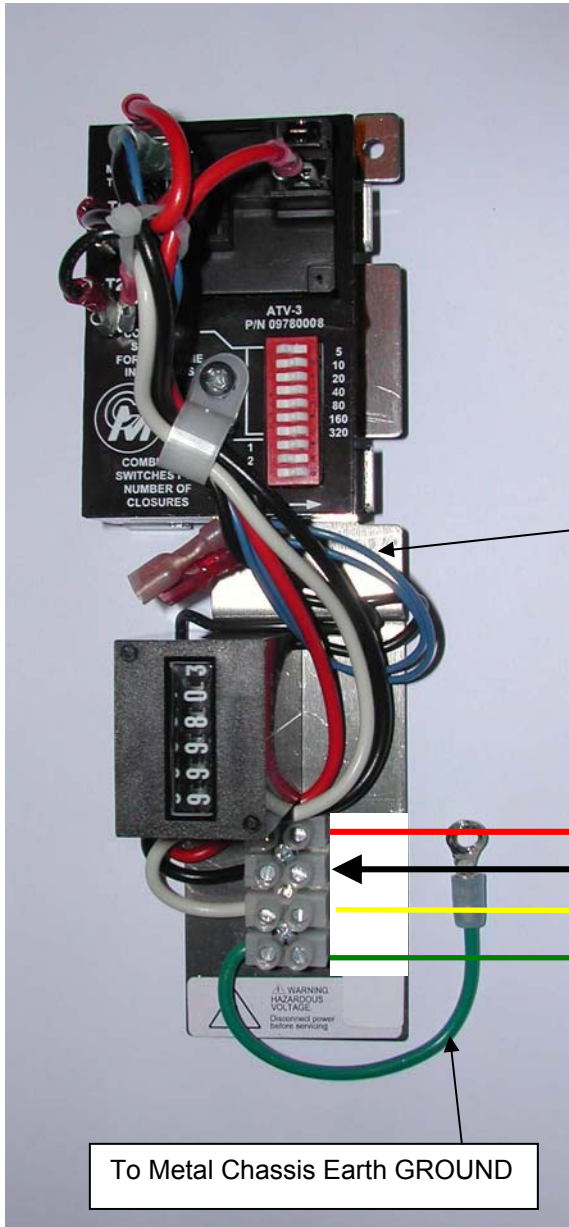


24 Volt DC WIRING

Wiring connections to and from ATV-3 Timer-Box when using same voltage operating the timer for the switched voltage going to your device to be timed.

Ground wire is earth ground and is shown for safety. This is optional if earth ground is supplied by other means in the application or is part of the common supply.

Connect these two blue wires with .187" fast-on terminals To the Coin Micro-Switch Normally Open (NO) and COMMON (COM) terminals. Shorting these two blue wires counts pulses for Timer.



DEVICE TO BE TIMED

(+) 24 VDC Positive - Switched
Switched Output from Timer

(-) 24 VDC Negative Common

EARTH GROUND

EARTH	24 VDC	24 VDC
GROUND	Negative	Positive
	(-)	(+)

This is your Power Supply
To the Timer-Box and Device to be timed.

To Metal Chassis Earth GROUND



COIN MECHANISMS INC.

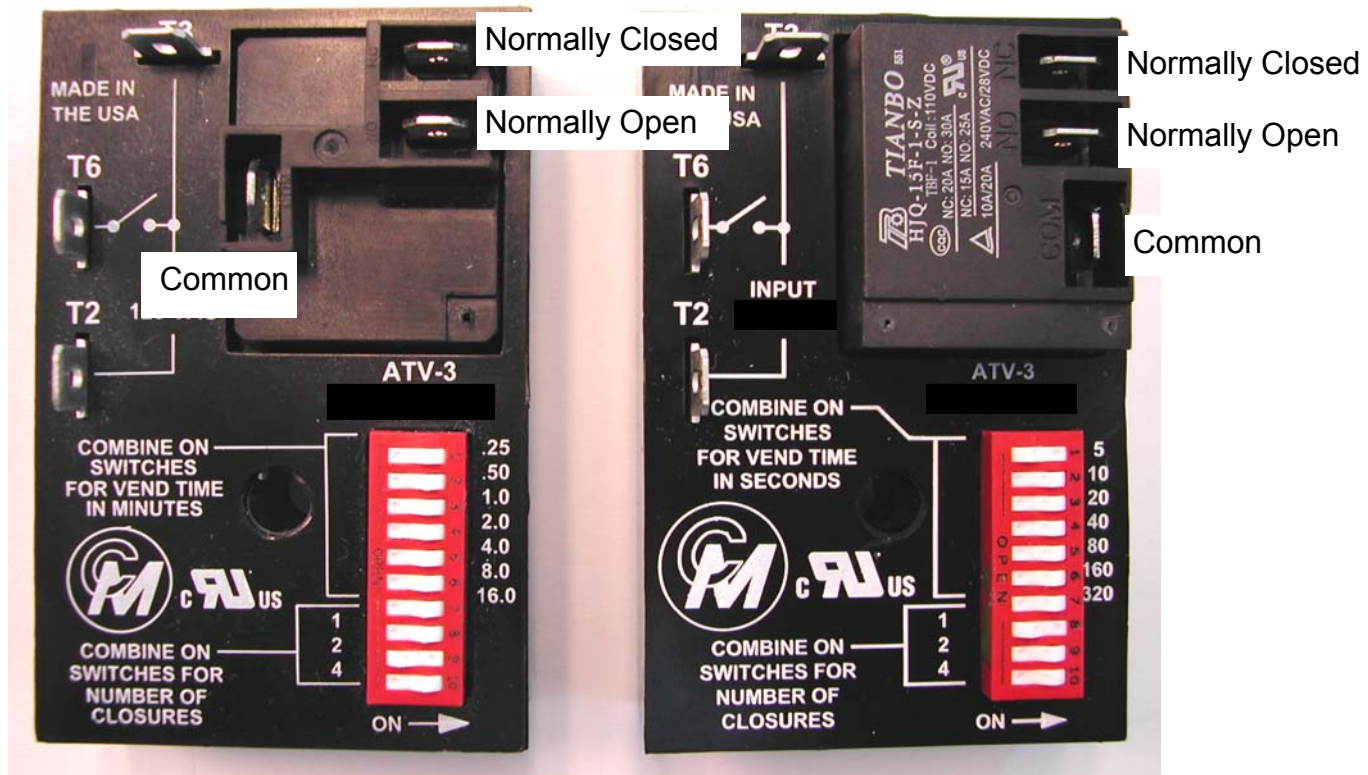
Where The Money Meets The Machine

817 Industrial Drive Elmhurst, Illinois 60126 - 1107

VOICE: 1-630-924-7070 1-800-323-6498

FAX: 1-630-924-7088

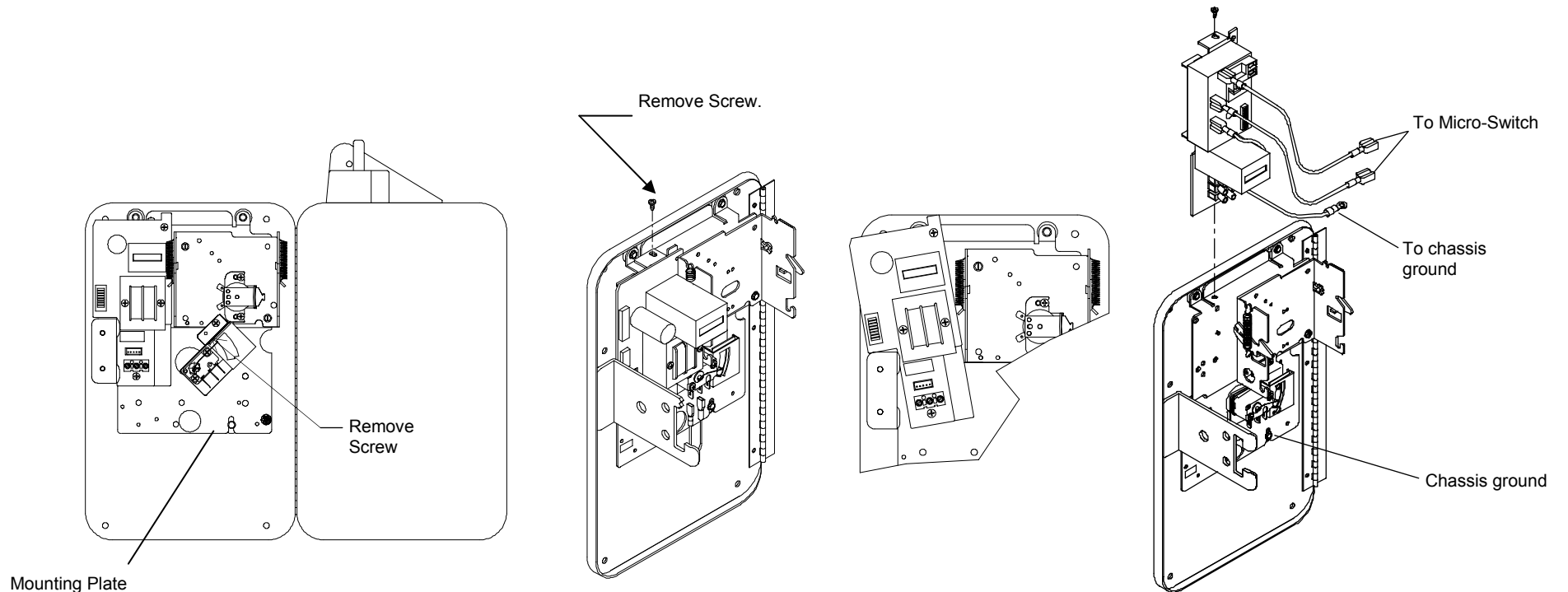
The ATV-3 Timer has two Relay configurations
The relay is single pole double throw
It can switch 0 to 250 Volts up to 20 Amps





ATV TIMER KIT INSTALLATION INSTRUCTIONS

NOTE: ALL WIRES NOT SHOWN FOR CLARITY



Remove left screw on switch bracket assembly and swing switch and bracket assembly out of the way To provide room for mounting new timer.

Remove screw from the top of the old-timer bracket.

Rotate bracket counter-clockwise slightly, up, then out to disengage latches from mounting plate. Remove old-timer.

Install new ATV Timer Kit Making sure latches hook over the back of mounting plate.

Reposition switch and bracket assembly and replace screws.