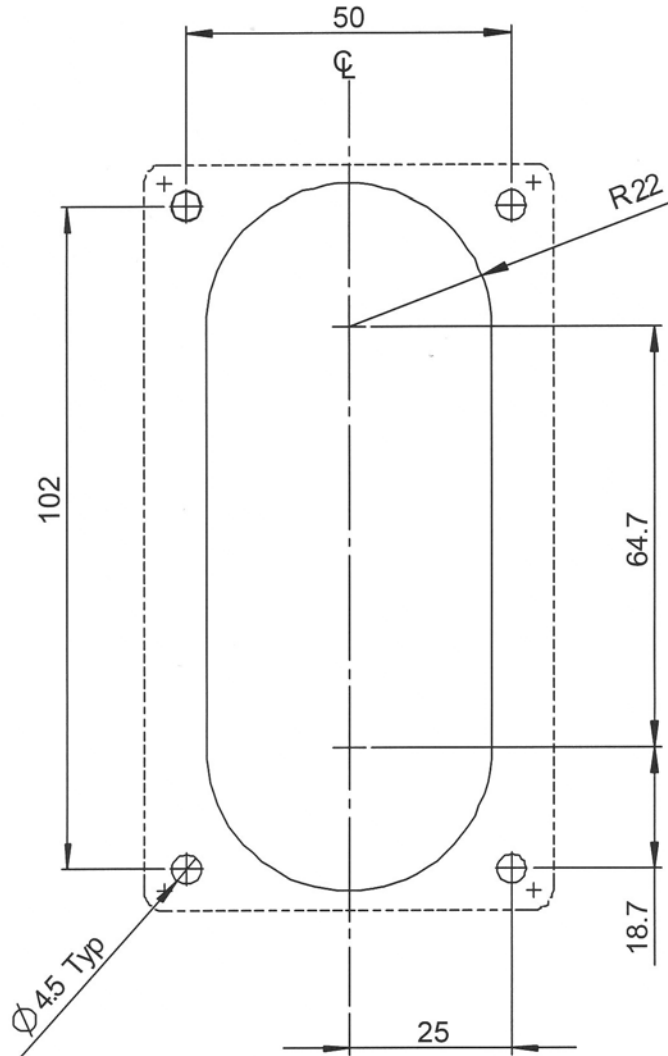


## 115 Facia 6mm Panel Cut Out



VIEW FROM FRONT OF PANEL

NOTE :

Use 4 off 6mm Panel screws Part# 90930

DXF or DWG files available on request