



ATV-3 TIMER 230 Volts AC

Part No. 09780008

Specifications

Input Voltage = 230 Volts AC 50/60 HZ 210 VAC min. 245 VAC max.

Power Consumption = 3.7 Watts max.

Coin Micro-Switch Input = 25 millisecond min. ON, 30 millisecond min. OFF

Switched Output Voltage = One Phase of Input Voltage

Switched Output Rating = SPDT, 20 Amp @ 120/240VAC, 2 HP

Temperature = Operating: -40° C to 65° C, Storage: -40° C to 85° C

Humidity = 95% relative non-condensing

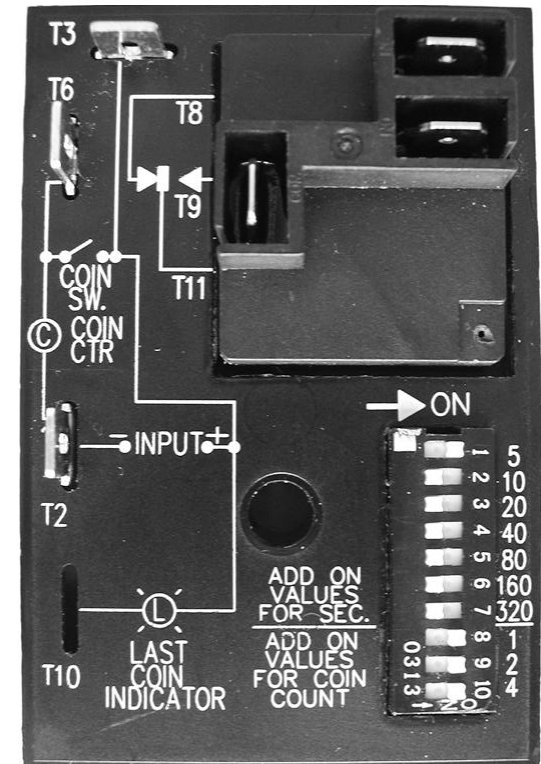
Number of Coins to Vend = 1 to 7 (selectable via three DIP switches)

**Accumulator Time per Vend = Time selected by switch setting is per coin
(via seven DIP switches)**

1 Coin Time = 5 seconds Minimum to 10 minutes 35 seconds Maximum

7 Coin Time = 35 seconds Minimum to 1 hour 14 minutes 5 seconds Maximum

Additional Time = Coin inserted during a Vend adds additional time



Mechanical

- Package: epoxy-encapsulated 2" x 3" x 1.25"
- Mounting: 0.25" diameter hole for up to #10 screw

Terminations:

- (ATV-3 Timer) .25" male quick connect terminals (Terminal Block) stripped wire 14 to 22 AWG using flat blade screwdriver for screw clamp

- Relay MTBF: 10 million operations

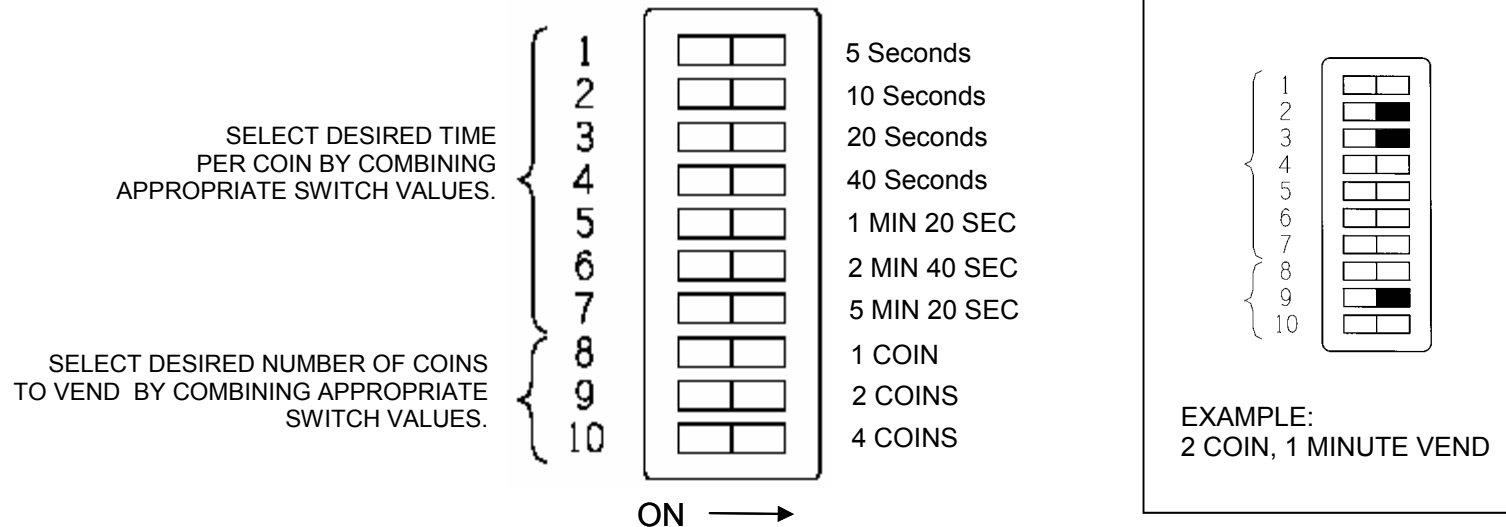
UL Recognized UL file # E125360

UL Guide NMFT2, cUL Guide NMFT8



**ATV-3 TIMER
P/N 09780008**

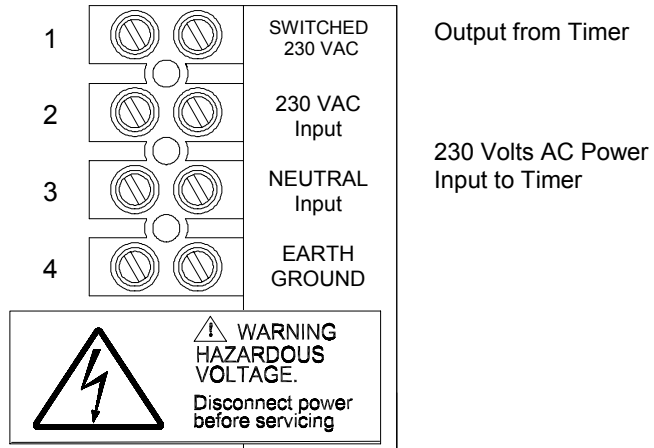
SWITCH SETTINGS



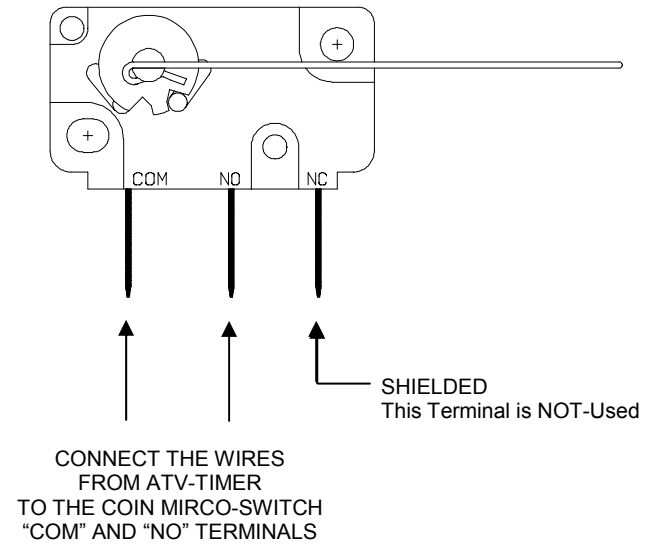
Total Vend (or switched power on) Time =
Number of Seconds X Number of Coins Selected on the Switch



TERMINAL BLOCK CONNECTIONS



COIN MICRO-SWITCH CONNECTIONS

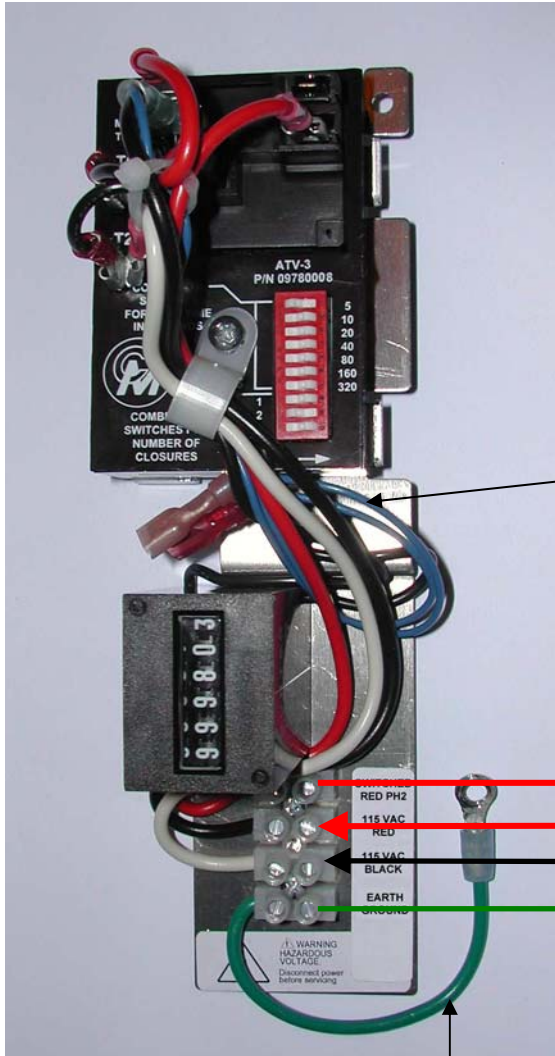




230 Volt AC WIRING

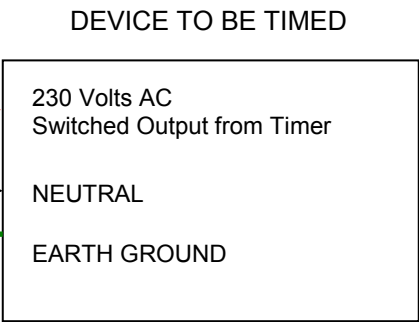
Wiring connections to and from ATV-3 Timer-Box
When using same voltage operating the timer for the switched voltage going to your device to be timed.

Connect these two blue wires with .187" fast-on terminals
To the Coin Micro-Switch Normally Open (NO) and COMMON (COM) terminals.
Shorting these two blue wires counts pulses for Timer.



To Metal Chassis Earth GROUND

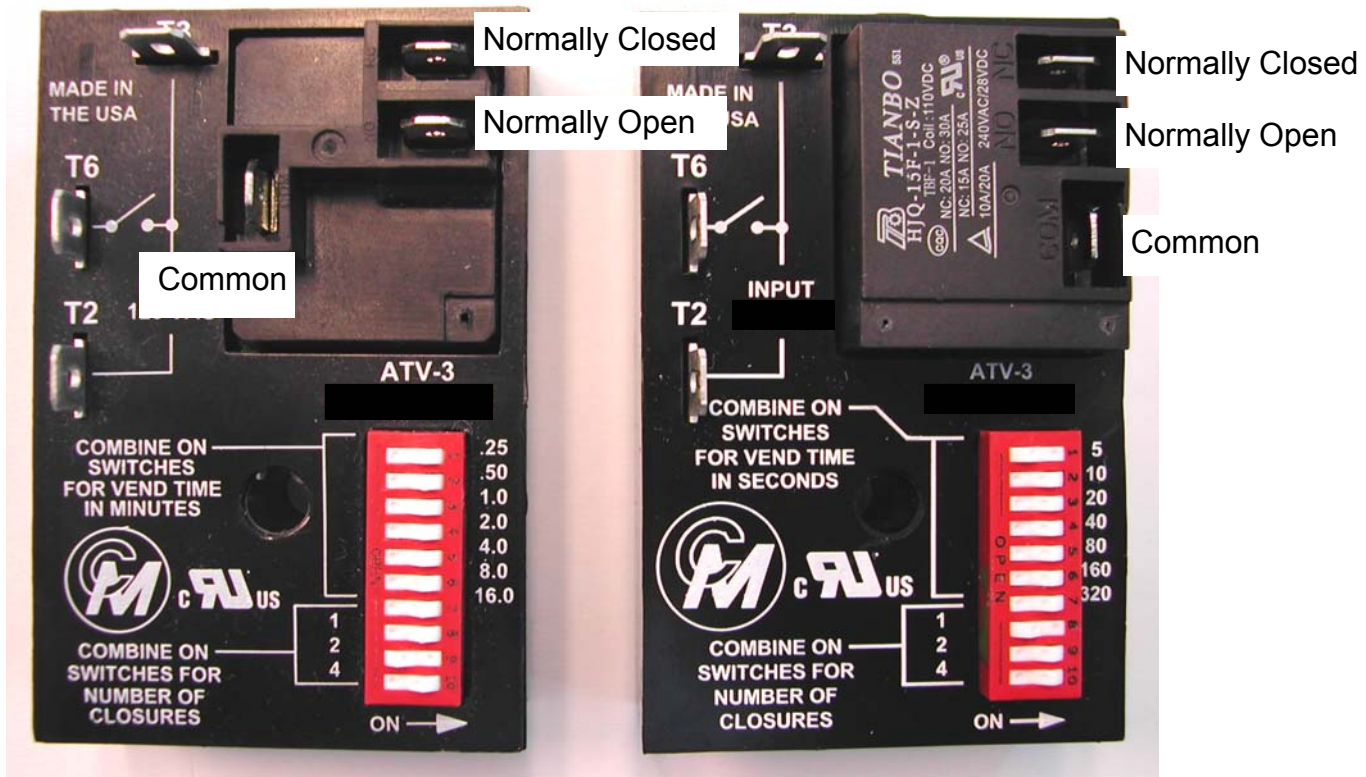
GROUND NEUTRAL 230 Volts AC
This is your Power Source
To the Timer-Box and Device to be timed.



Ground wire is earth ground and is shown for safety.
This is optional if earth ground is supplied by other means in the application or is part of the common supply.



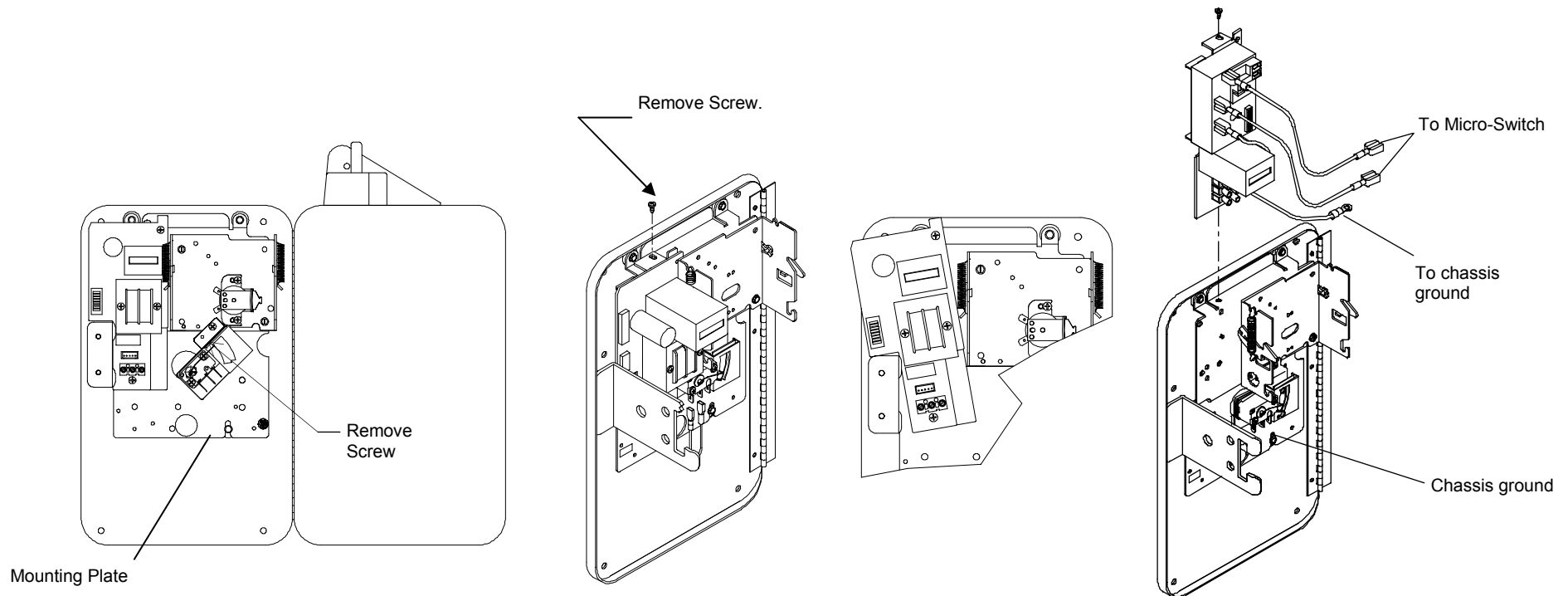
The ATV-3 Timer has two Relay configurations
The relay is single pole double throw
It can switch 0 to 250 Volts up to 20 Amps





ATV TIMER KIT INSTALLATION INSTRUCTIONS

NOTE: ALL WIRES NOT SHOWN FOR CLARITY



Remove left screw on switch bracket assembly and swing switch and bracket assembly out of the way To provide room for mounting new timer.

Remove screw from the top of the old-timer bracket.

Rotate bracket counter-clockwise slightly, up, then out to disengage latches from mounting plate. Remove old-timer.

Replace with new ATV Timer Kit Making sure latches hook over the back of mounting plate.

Reposition switch and bracket assembly and replace screws.