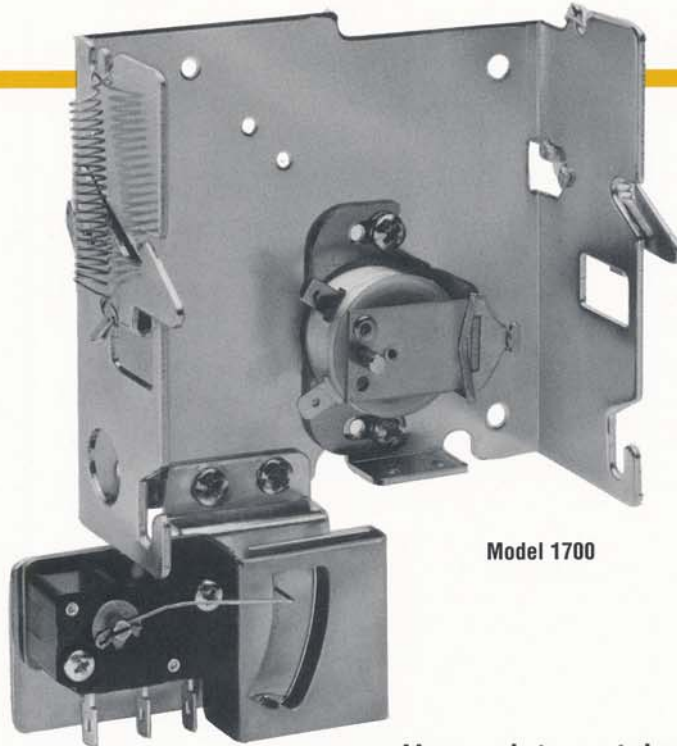


# 1700 SERIES CHANNEL ASSEMBLY



Model 1700

- Heavy duty metal construction
  - Simple mech mounting/removal
  - Fits all standard size mechanisms
  - Cherry micro switch
  - Accepts wide range of coin diameters
- Options
- Coin lockout coil (designate voltage)

## Switch & Chute Sub Assemblies

<u>Coin Diameter Range</u> (inches)	<u>Part Number</u>
.650 - .760	06170005
.761 - .881	06170004
.882 - .954	06170006
.955 - .999	06170009
1.000 - 1.072	06170008
1.073 - 1.125	06170007

09300103 11/96



**COIN MECHANISMS INC.**

*Where the Money Meets the Machine*

P.O. Box 5128, 400 Regency Drive, Glendale Heights, IL 60139-5128  
630/924-7070 • 1-800/323-6498 (In USA & Canada) • FAX 630/924-7088  
Visit us on the world wide web at <http://www.coinmech.com>