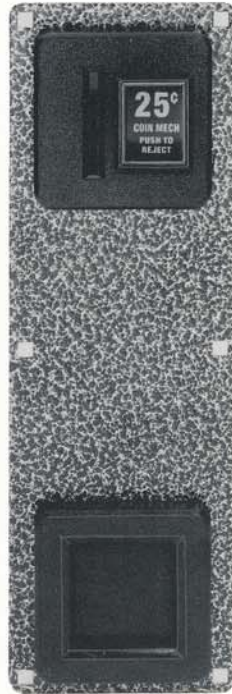


8000 SERIES SINGLE FACEPLATE



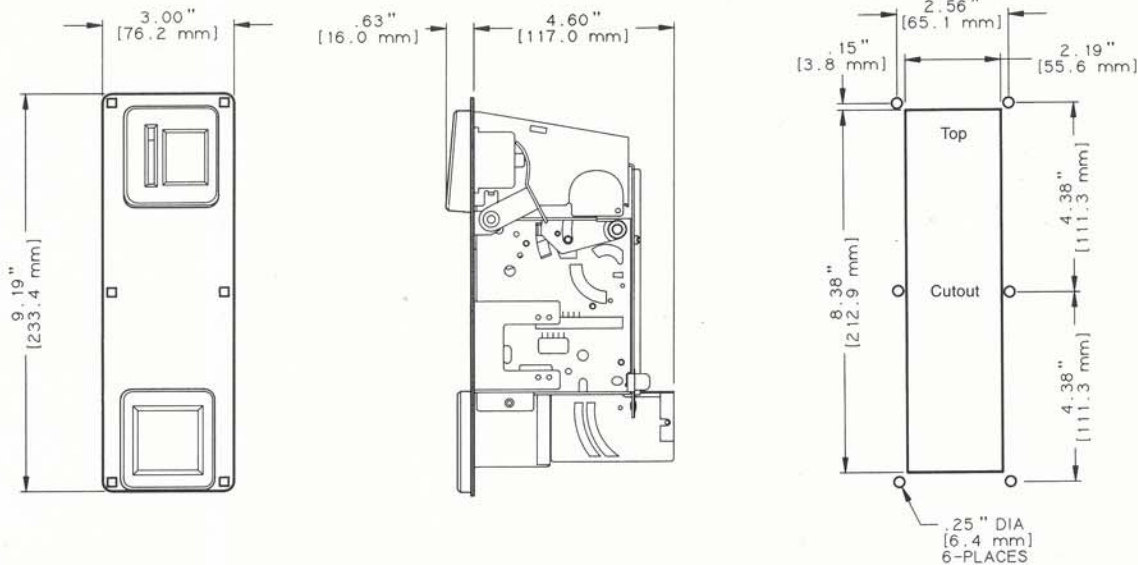
Model 8001



- Accepts industry standard mechanical & electronic mechanisms
- Quick release mech removal
- Heavy duty steel construction
- Steel coin return for added security
- Illuminated coin denomination/reject button (five colors available)
- Durable textured paint finish
- Standard #10-32 carriage bolt mounting holes

Options

- Domestic, token or foreign mechanical coin mechanisms available in either plastic or metal (please specify)
- Electronic Coin Comparator®
- Coin lockout coil (designate voltage)
- Sharkskin paint finish



09300107 11/96



COIN MECHANISMS INC.

Where the Money Meets the Machine

P.O. Box 5128, 400 Regency Drive, Glendale Heights, IL 60139-5128
 630/924-7070 • 1-800/323-6498 (In USA & Canada) • FAX 630/924-7088
 Visit us on the world wide web at <http://www.coinmech.com>