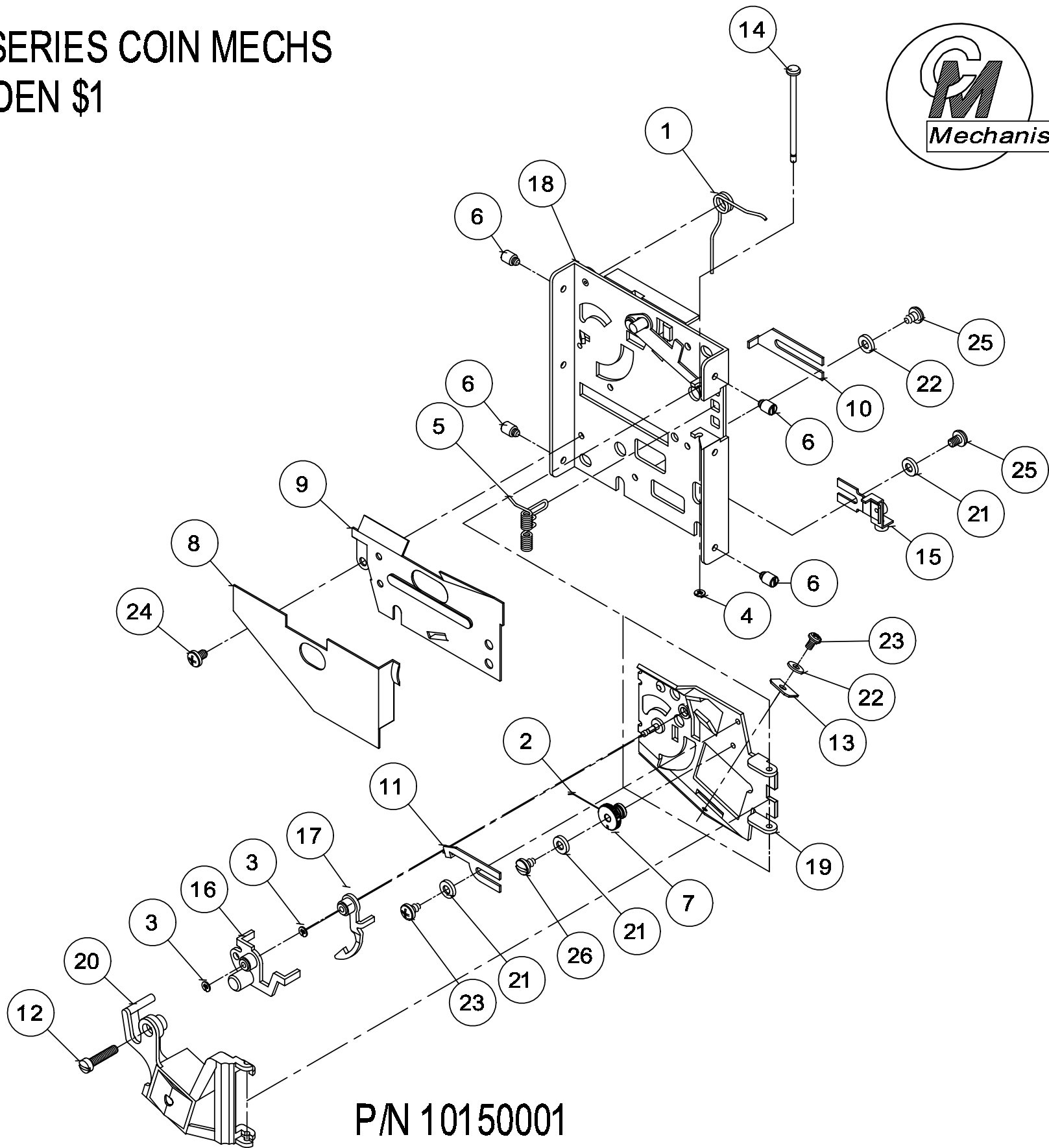
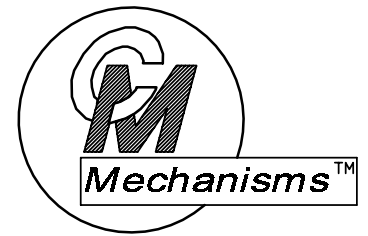


# 100 SERIES COIN MECHS GOLDEN \$1



P/N 10150001

MATERIAL COLUMN							
ITEM	P/N	QTY	MATL' DESCRIPTION	ITEM	P/N	QTY	MATL' DESCRIPTION
1	04050001	1	SPRING, OPERATING LEVER	14	04100114	1	PIN, GATE PIVOT
2	04050005	1	SPRING, USA, LEVER, SBA	15	05100041	1	SEPERATOR, ASSY, W/BAR & WEIGHT
3	04050007	2	RETAINER, "C" WASHER, 3/32 DIA. PIN	16	05100043	1	CRADLE, ASSY, STAKED, 1.055. LG BUSH
4	04050042	1	RETAINER, "C" WASHER, 1/8 DIA. PIN	17	05100049	1	LEVER, ASSY, UNDERSIZED, SBA, W/ID CIR
5	04050089	1	SPRING, TORSION, DOUBLE, GATE	18	05100088	1	MAINPLATE, ASSY, STAKED, UNIVERSAL III
6	04060005-01	4	STUD, #6 MTG	19	05100102	1	GATE, ASSY, STAKED, SBA
7	04060011-13	1	RETAINER, SPRING LEVER, USA	20	05100103	1	GATE, ASSY, CASTING, WHITE MAGNET
8	04100006-02	1	COVERPLATE, RETURN	21	600-4	3	WASHER, FLAT, #4
9	04100012-02	1	COVERPLATE, 25C, "C", OVAL HOLE	22	600-6	2	WASHER, FLAT, 5/16 X 1/32, #6
10	04100016-01	1	KICKER	23	P-104-4-3	2	SCREW, 4-40 X 3/16, PHIL, PH, MS
11	04100019-02	1	GAUGE, DIA, ADJ	24	P-108-6-2-1/2	1	SCREW, 6-32 X 5/32, PHIL, BIND HEAD
12	04100040	1	SCREW, THICKNESS, 6-32 X 5/8, SLOT	25	P-190-6-2	2	SCREW, 6-32 X 1/8, PHIL, PH, SERRATED, MS
13	04100076-52	1	RAIL, SBA SLIDE	26	S-100-4-5	2	SCREW, 4/40 X 5/16, SLTD,RH, MS



COIN MECHANISMS INC.

P.O. Box 5128, Glendale Heights, IL 60139-5128\*1-800/323-6498\*FAX 630/924-7088  
E-MAIL coinmech@coinmech.com VISIT OUR WEBSITE AT www.coinmech.com