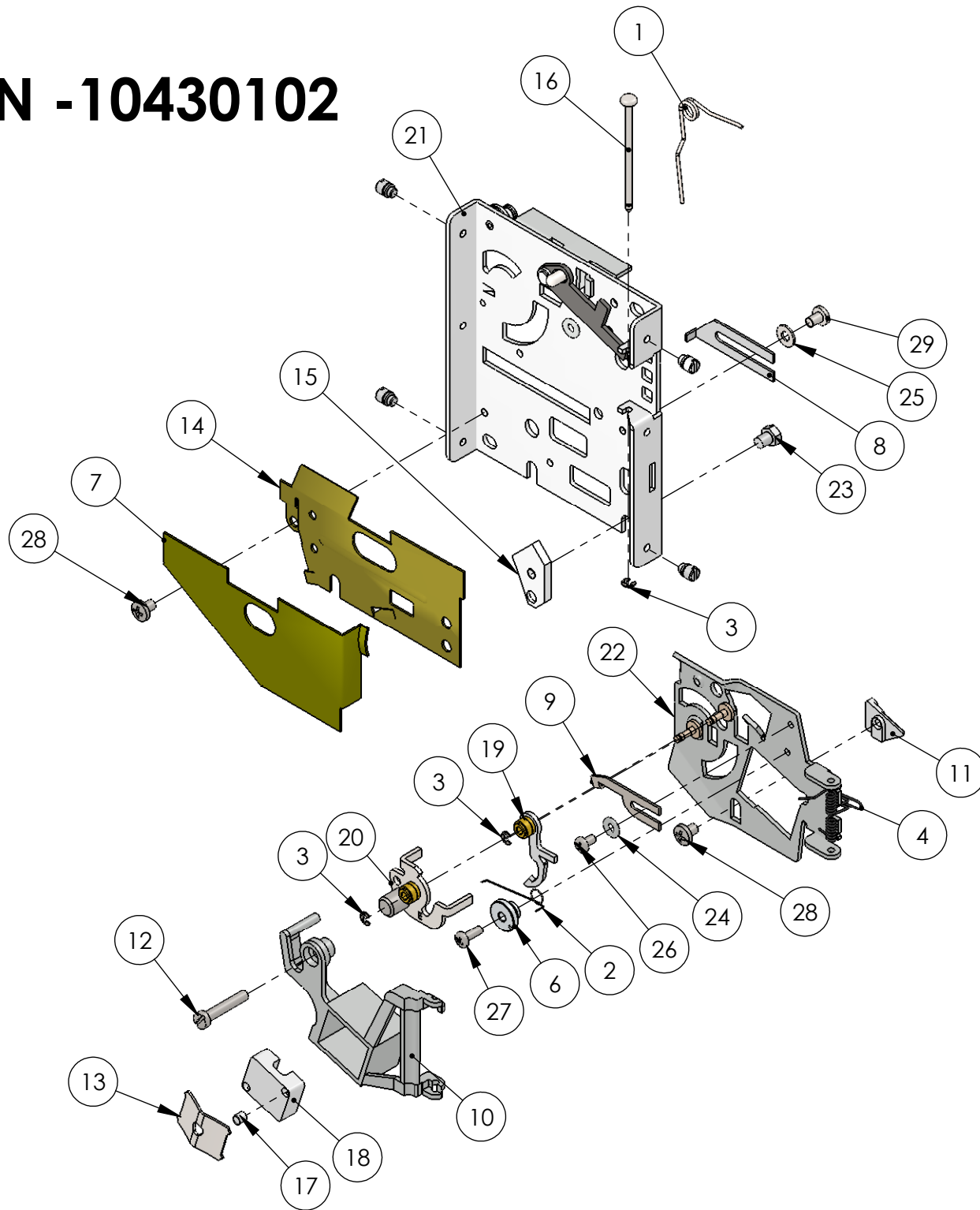


P/N -10430102



	PART NUMBER	DESCRIPTION	
1		SPRING,OPERATING LEVER	1
2		SPRING, USA, LEVER, SBA	1
3		RETAINER, E-RING, 3/32"	3
4		SPRING,TORSION,DOUBLE,GATE	1
5	04060005-01	STUD,#6MTG,.7G	4
6		RETAINER, SPRING LEVER, USA	1
7	04100006-02	COVERPLATE,RETURN	1
8			1
9	04100019-02	GAUGE,DIA,ADJ	1
10	04100031-02	GATE,MAGNET CASTING,2 LEGS	1
11	04100035-00	RAIL, CAST, 5C, TAPPED	1
12		SCREW, THICKNESS, ZNC & CLR, PATCH	1
13	04100043-11	MAGNET,KEEPER	1
14	04100044-02	COVERPLATE,"E",OVAL HOLE, 1/2 SIDE FORM	1
15	04100046-01	ANVIL, SM CN, FLAT	1
16		PIN,GATE PIVOT	1
17		MAGNET, COBALT, .127 X .125	1
18		SPACER, MAGNET GATE, .125DIA	1
19		LEVER, ASSY, UNDERSIZED, 25C OFFSET	1
20		CRADLE, ASSY, STAKED, .955/.984	1
21		MAINPLATE,ASSY,STAKED,UNIVERSAL III	1
22		GATE, ASSY, STAKED, CAN, 25C	1
23		SCREW,8-32X3/16,UNSLTD,HEX,INDENTED HD	1
24		WASHER, FLAT #4	2
25		WASHER, FLAT #6	1
26	P-104-4-3	SCREW, 4-40 X 3/16, PHIL, PH, MS	1
27	P-104-4-5	SCREW, 4-40 X 5/16, PHIL, PH, MS	1
28	P-108-6-2-1/2	SCREW, 6-32 X 5/32, PHIL, BIND HEAD	2
29	P-190-6-2		1