

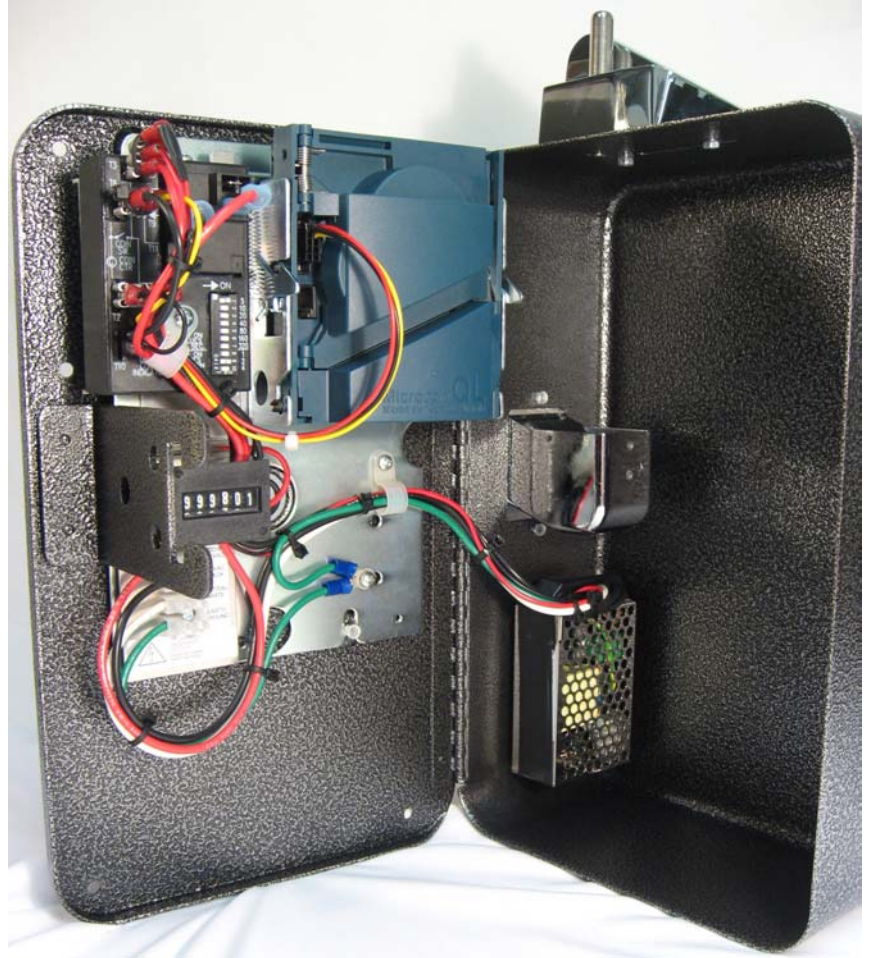


## COIN MECHANISMS INC.

817 Industrial Drive  
Elmhurst, Illinois 60126-1107  
Tel. 1-630-924-7070 Fax. 1-630-924-7088  
Toll Free: 1-800-323-6498  
E-mail: coinmech@coinmech.com Website: www.coinmech.com

# Model 3300 Multi-Coin/Timer

CMI Product # 33670010



### **Features and Benefits:**

A completely self-contained, locking money collection and timer system.

Made of heavy duty 16 gauge cold rolled steel painted with a baked on powder coating.

Uses include water dispensing, heating, tanning beds, tennis court lights, and more.

Coin Entry and Coin Return Cup have polished chrome finish

### **Overall Dimensions:**

Approximately: 14 Inch Height x 8 Inch Width x 4-1/2 Inch Depth

### **Overall Unit Weight:**

Approximately 10 pounds

**Options:** Locks keyed with the same number

Enclosure is NOT Water Tight

### **Fea-**

Includes an Electronic Multi-Coin Validator preprogrammed for U.S. 5, 10, 25 Cent Coin and Canadian 25 Coins

Includes a 120 Volts AC to 12 Volts DC Power Supply

### **Fitted with a 12 Volt DC ATV-3 Timer (CMI # 09780007)**

Both Vend Time and Vend Price Settings are adjustable via dipperswitches:

- Price to vend can be from 25 Cents to \$1.75
- More than 25 Cents multiplies the time setting
- Example: A setting of 50 Cents for 15 Seconds means timer relay stays on for 30 Seconds

Coins inserted during vend add additional time

Timer Switched Output Relay Rating =  
SPDT Relay, 20 Amps @ 120/240VAC, 2 HP

Timer operating temperature range: -40° F to +149° F

Timer Relay may activate when Power is First Applied.



# COIN MECHANISMS INC.

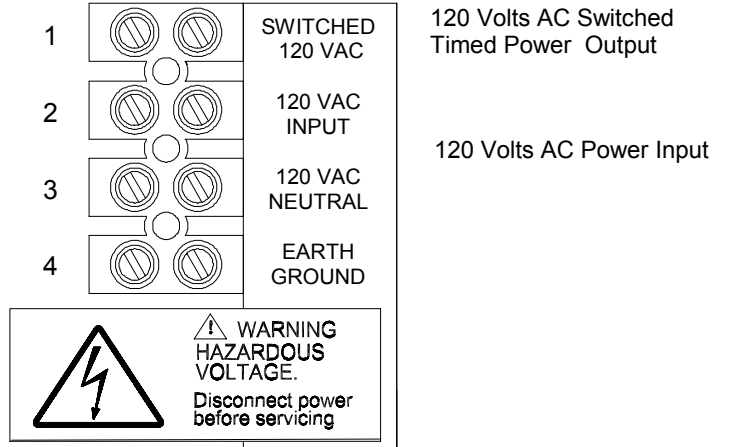
817 Industrial Drive  
Elmhurst, Illinois 60126-1107  
Tel. 1-630-924-7070 Fax. 1-630-924-7088  
Toll Free: 1-800-323-6498  
E-mail: coinmech@coinmech.com Website: www.coinmech.com

# Model 3300 Multi-Coin/Timer

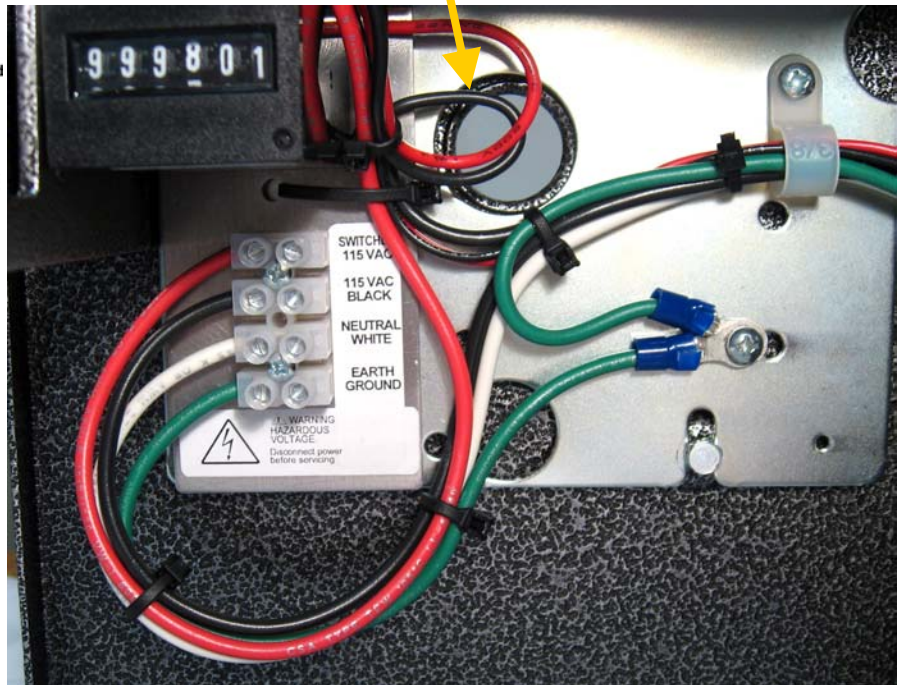
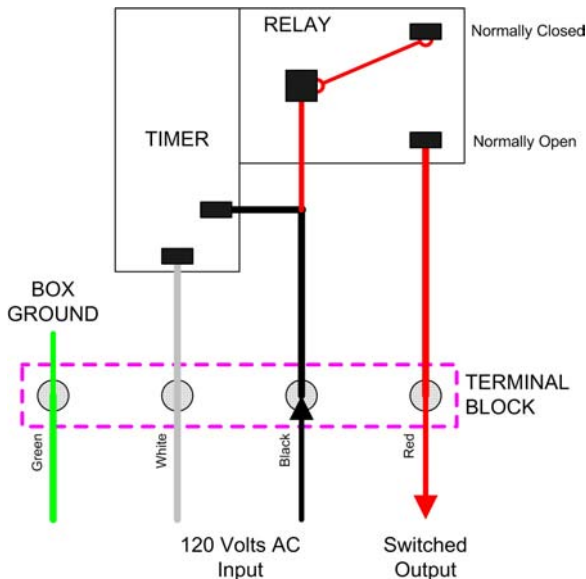
CMI Product # 33670010



## TERMINAL BLOCK CONNECTIONS



Wire Entry Access





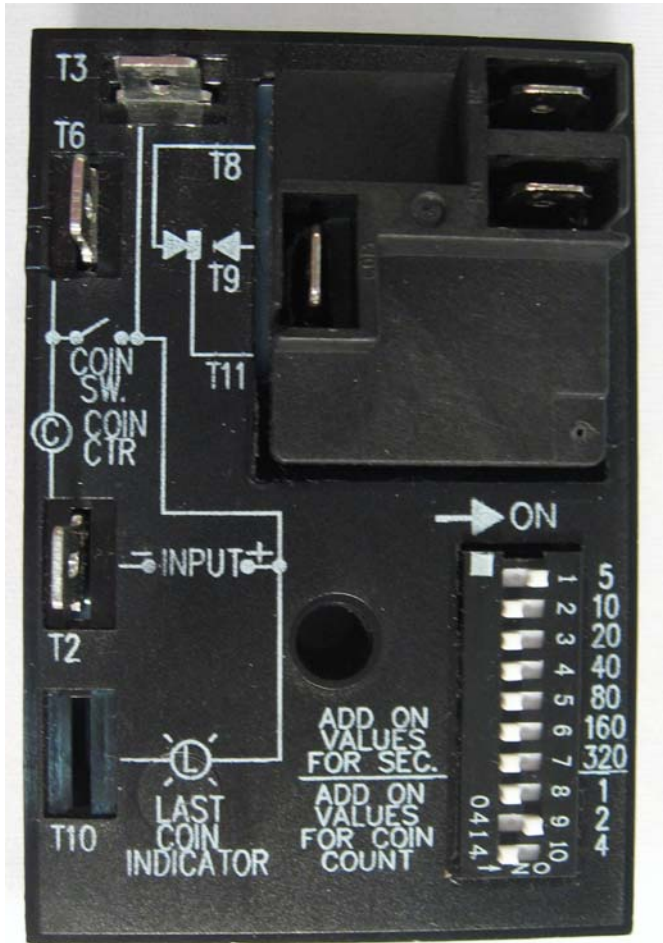


**COIN MECHANISMS INC.**

817 Industrial Drive  
 Elmhurst, Illinois 60126-1107  
 Tel. 1-630-924-7070 Fax. 1-630-924-7088  
 Toll Free: 1-800-323-6498  
 E-mail: coinmech@coinmech.com Website: www.coinmech.com

# Model 3300 Multi-Coin/Timer

CMI Product # 33670010

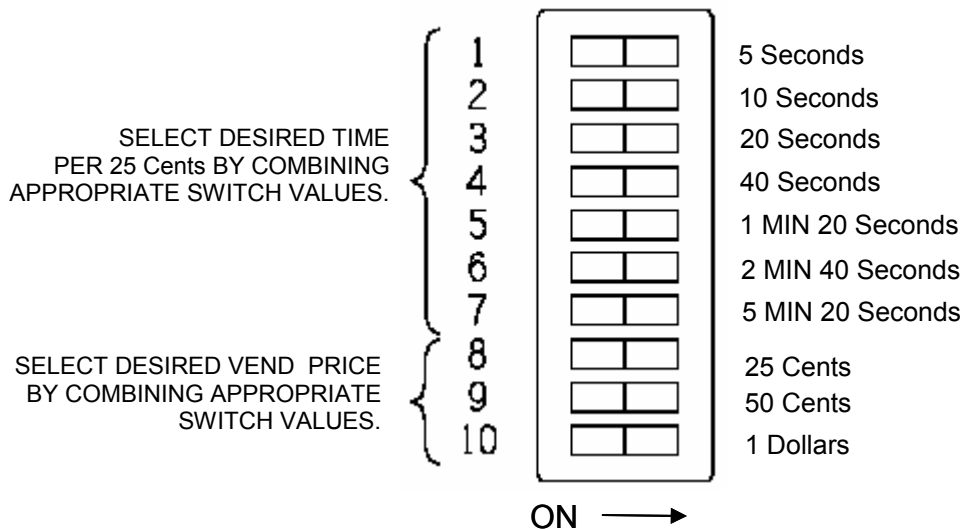


Total Vend Time  
 (or switched power on time ) =  
 Number of Seconds X  
 Number of 25 Cent Coins  
 Selected on the Switch



EXAMPLE:  
 50 Cent, 1 MINUTE VEND

**ATV-3 TIMER (CMI # 09780007)**  
**SWITCH SETTINGS**



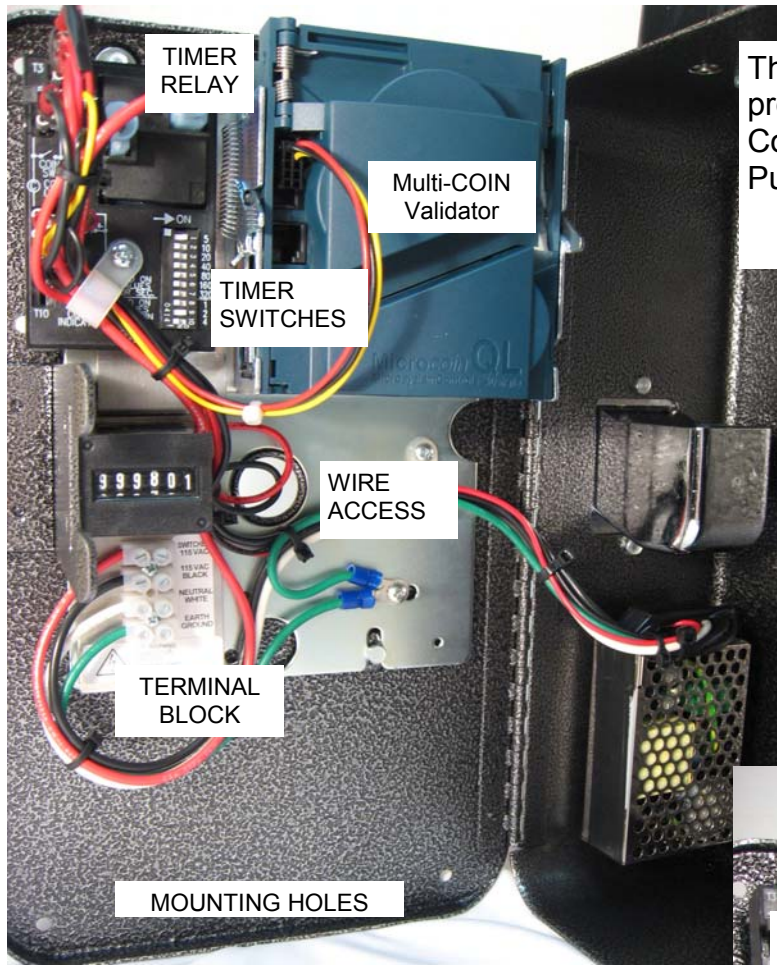


# COIN MECHANISMS INC.

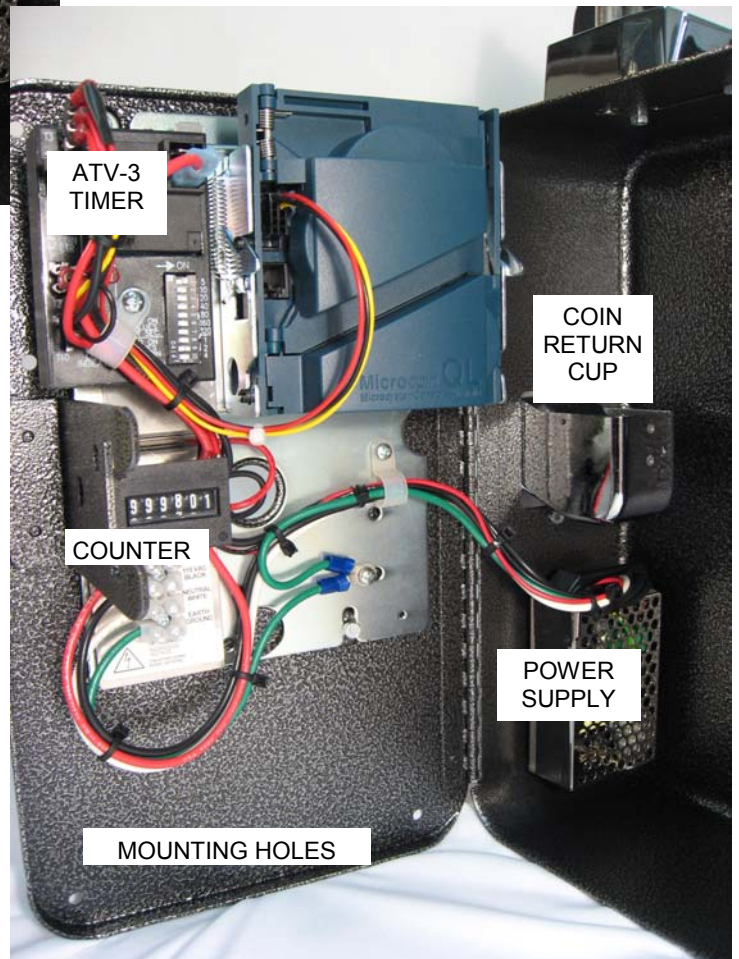
817 Industrial Drive  
Elmhurst, Illinois 60126-1107  
Tel. 1-630-924-7070 Fax. 1-630-924-7088  
Toll Free: 1-800-323-6498  
E-mail: coinmech@coinmech.com Website: www.coinmech.com

# Model 3300 Multi-Coin/Timer

CMI Product # 33670010



The Electronic Multi-Coin Validator is preprogrammed to accept U.S. 5, 10, 25 Cent Coins and Canadian 25 Cent Coins and output 1 Pulse to the ATV-3 Timer per 25 Cents accepted.





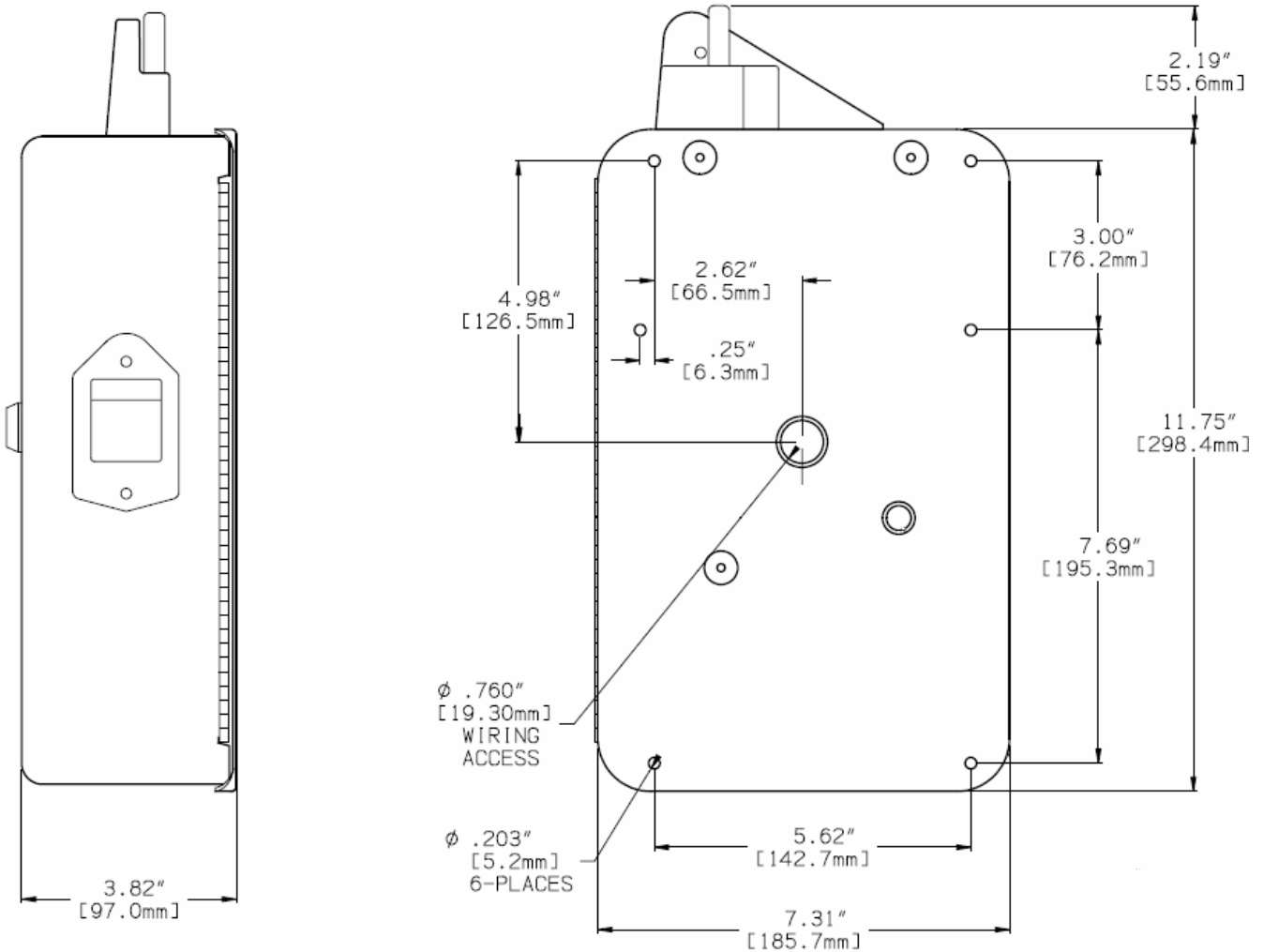
# COIN MECHANISMS INC.

817 Industrial Drive  
Elmhurst, Illinois 60126-1107  
Tel. 1-630-924-7070 Fax. 1-630-924-7088  
Toll Free: 1-800-323-6498  
E-mail: coinmech@coinmech.com Website: www.coinmech.com

# Model 3300 Multi-Coin/Timer

CMI Product # 33670010

## 3300 SERIES TIMER BOX DIMENSIONS



Enclosure is NOT Water Tight  
and Must be protected from Rainfall and Water.

### Overall Dimensions:

Approximately 14 Inch Height x 8 Inch Width x 4-1/2 Inch Depth

### Overall Unit Weight:

Approximately 10 pounds