



COIN MECHANISMS INC.

817 Industrial Drive
Elmhurst, Illinois 60126
Tel. 1-630-924-7070 Fax. 1-630-924-7088
Toll Free: 1-800-323-6498
E-mail: coinmech@coinmech.com Website: www.coinmech.com

Model 3300 Multi-Coin/Timer

CMI Product # 33670007



Features and Benefits:

A completely self-contained, locking money collection and timer system.

Made of heavy duty 16 gauge cold rolled steel painted with a baked on powder coating.

Uses include water dispensing, heating, tanning beds, tennis court lights, and more.

Coin Entry and Coin Return Cup have polished chrome finish

Cashbox capacity:

Approximately 500 US Quarter size coins

Overall Dimensions:

Approximately: 14 Inch Height x 8 Inch Width x 4-1/2 Inch Depth

Overall Unit Weight: Approximately 10 pounds

Options: Locks keyed with the same number

Includes an Electronic Multi-Coin Validator preprogrammed for 1 and 2 Dollar Canadian Coins

Includes a 120 Volts AC to 12 Volts DC Power Supply

Fitted with a 120 Volt AC ATV-3 Timer (CMI # 09780006)

Both Vend Time and Vend Price Settings are adjustable via dipswitches:

- Number of Dollars to vend can be from 1 to 7
- More than 1 Dollar multiplies the time setting
- Example: A setting of 2 Dollars for 15 Seconds means timer relay stays on for 30 Seconds

Coins inserted during vend add additional time

Timer Switched Output Relay Rating =
SPDT Relay, 10 Amps @ 120/240VAC, 1 HP

Timer operating temperature range: -40° F to +149° F

Enclosure is not water tight and must be protected from rainfall and water.



COIN MECHANISMS INC.

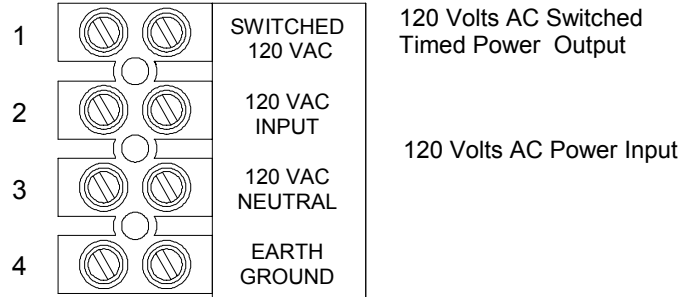
817 Industrial Drive
Elmhurst, Illinois 60126
Tel. 1-630-924-7070 Fax. 1-630-924-7088
Toll Free: 1-800-323-6498
E-mail: coinmech@coinmech.com Website: www.coinmech.com

Model 3300 Multi-Coin/Timer

CMI Product # 33670007

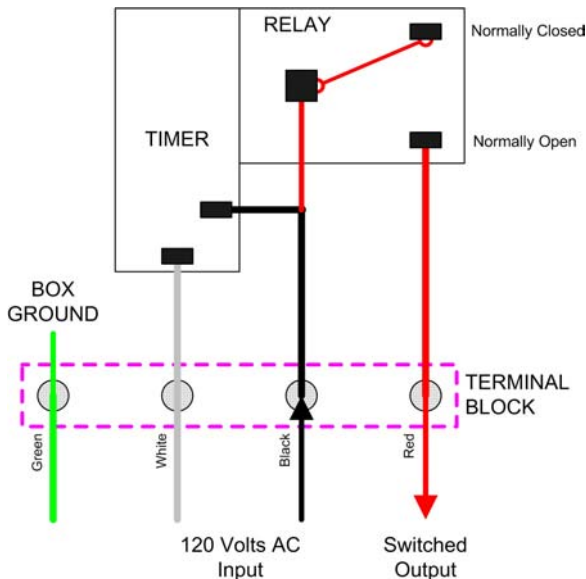


TERMINAL BLOCK CONNECTIONS



**WARNING
HAZARDOUS
VOLTAGE.**
Disconnect power
before servicing

Wire Entry Access



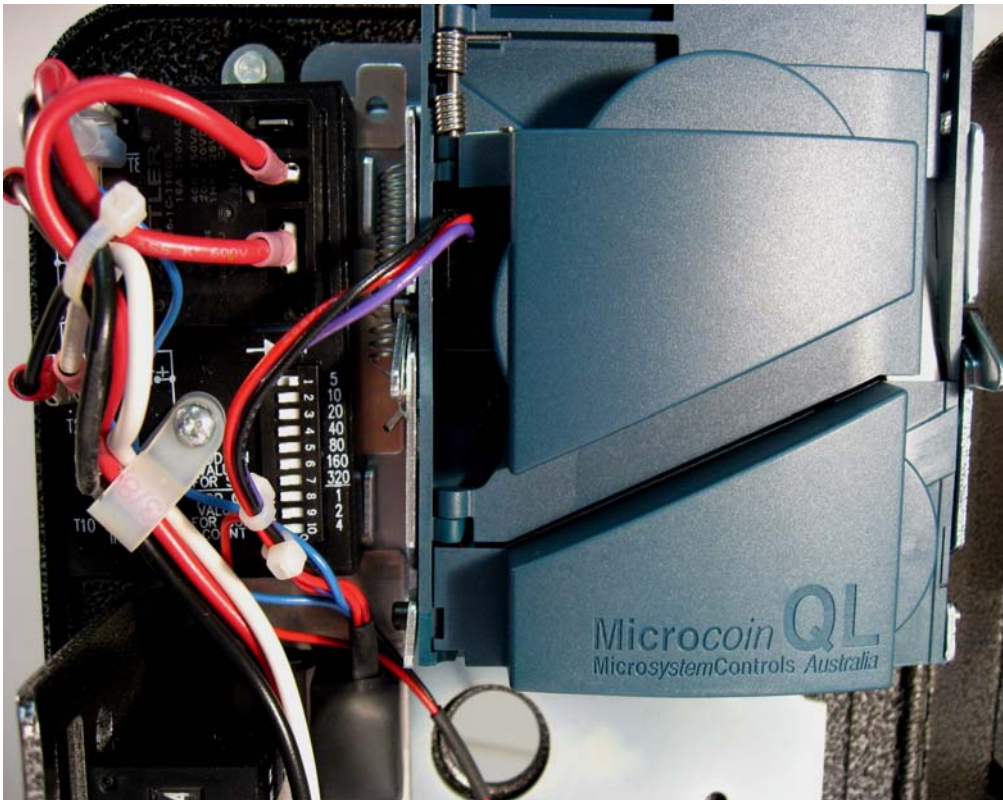


COIN MECHANISMS INC.

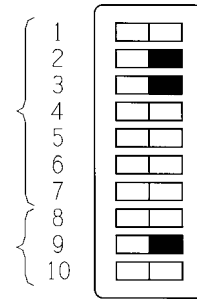
817 Industrial Drive
 Elmhurst, Illinois 60126
 Tel. 1-630-924-7070 Fax. 1-630-924-7088
 Toll Free: 1-800-323-6498
 E-mail: coinmech@coinmech.com Website: www.coinmech.com

Model 3300 Multi-Coin/Timer

CMI Product # 33670007



Total Vend Time
 (or switched power on time) =
 Number of Seconds X
 Number of Dollars Selected on
 the Switch

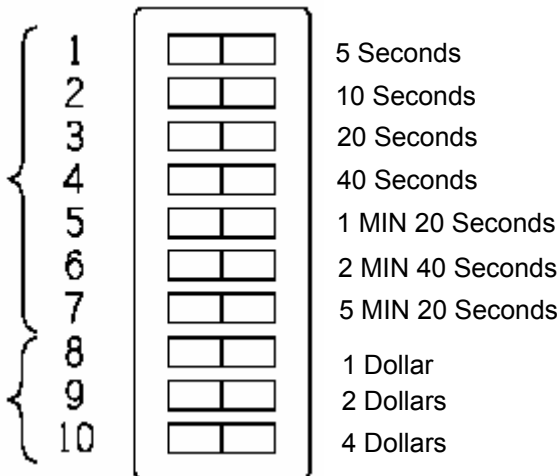


EXAMPLE:
 2 Dollar, 1 MINUTE VEND

ATV-3 TIMER (CMI # 09780006)
SWITCH SETTINGS

SELECT DESIRED TIME
 PER COIN BY COMBINING
 APPROPRIATE SWITCH VALUES.

SELECT DESIRED NUMBER OF DOLLARS
 TO VEND BY COMBINING APPROPRIATE
 SWITCH VALUES.



ON →

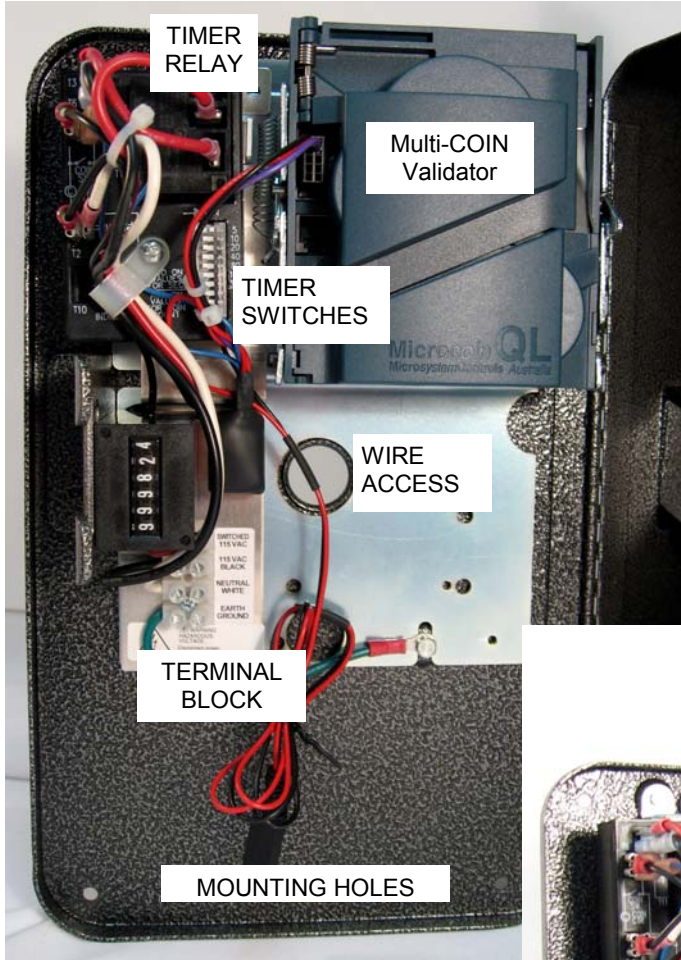


COIN MECHANISMS INC.

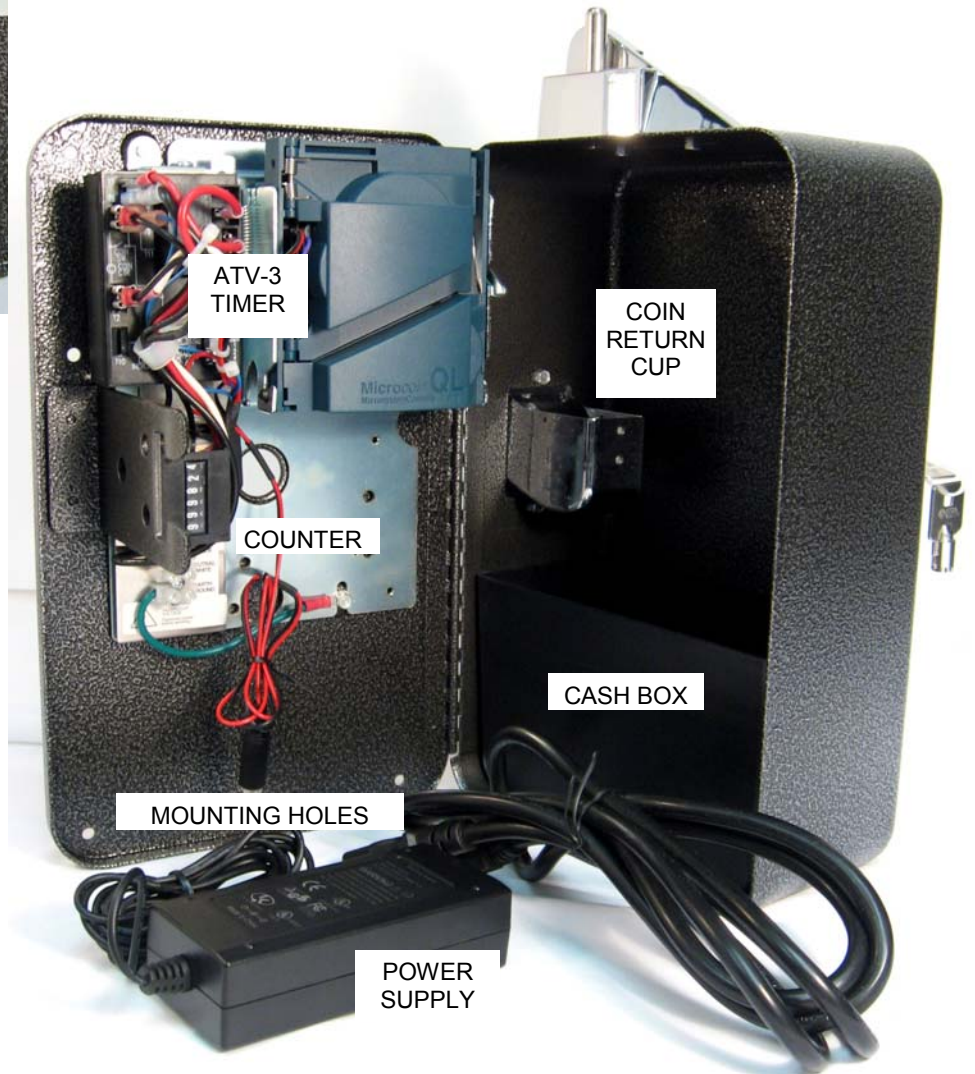
817 Industrial Drive
Elmhurst, Illinois 60126
Tel. 1-630-924-7070 Fax. 1-630-924-7088
Toll Free: 1-800-323-6498
E-mail: coinmech@coinmech.com Website: www.coinmech.com

Model 3300 Multi-Coin/Timer

CMI Product # 33670007



The Electronic Multi-Coin Validator preprogrammed to accept only 1 and 2 Dollar Canadian Coins and output 1 Pulse to the ATV-3 Timer per Dollar accepted.





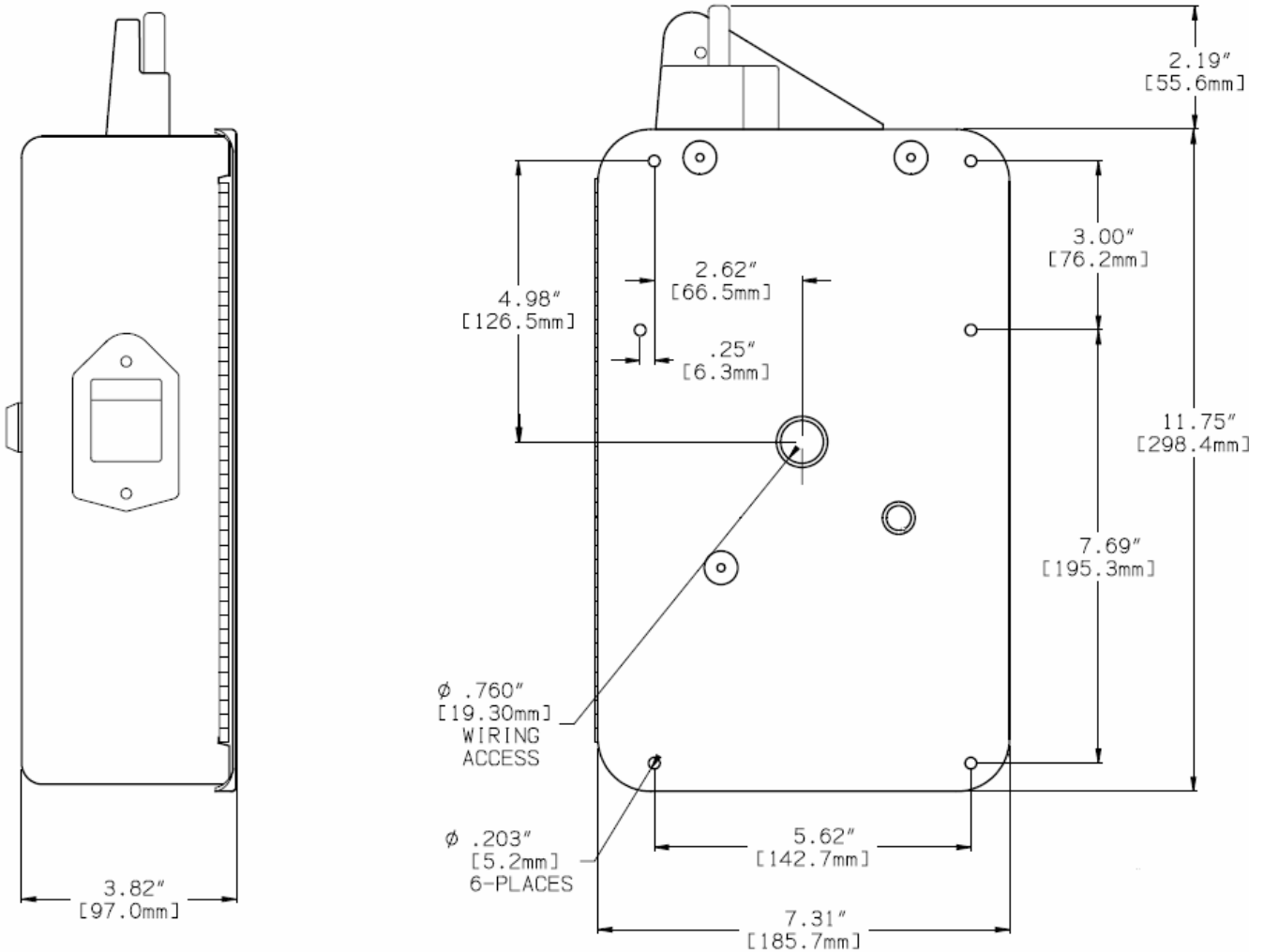
COIN MECHANISMS INC.

817 Industrial Drive
Elmhurst, Illinois 60126
Tel. 1-630-924-7070 Fax. 1-630-924-7088
Toll Free: 1-800-323-6498
E-mail: coinmech@coinmech.com Website: www.coinmech.com

Model 3300 Multi-Coin/Timer

CMI Product # 33670007

3300 SERIES TIMER BOX DIMENSIONS



Overall Dimensions:

Approximately 14 Inch Height x 8 Inch Width x 4-1/2 Inch Depth

Overall Unit Weight:

Approximately 10 pounds

Enclosure is not water tight and must be protected from rainfall and water.