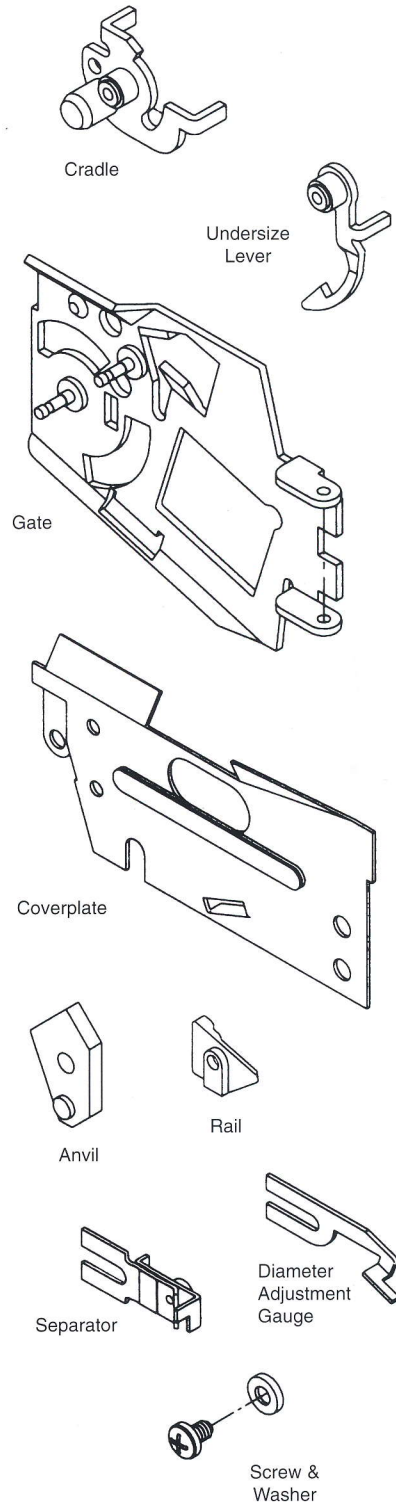


# 100 SERIES MECHANICAL MECHANISM



## CONVERSION INFORMATION

- **To convert from U.S. 25¢ to .984 Brass Token**
  - Replace Cradle with part# 05100081
  - Change to a cut Undersize Lever - part# 05100026
  - For diameter clearance, file down form tab on gate where coin enters in (diagonal "ramp") such that coins will fall between two tabs on the gate
- **To convert from .984 Brass Token to .800 Brass Token**
  - Replace Cradle with part# 05100087
  - Add Full Anvil & screw - Anvil part# 04100046-01 screw part# 114-8-3
  - Replace Coverplate with part# 04100048-02
  - Replace Rail with part# 04100035-00
  - Remove Separator assembly - part# 05100001
  - Adjust diameter gauge at top of gate until it stops any other size coins from entering
- **To convert from U.S. 25¢ to Combo (25¢/.984 Token)**
  - Replace Cradle with part# 05100084
  - Change to a cut Undersize Lever - part# 05100026
  - For diameter clearance, file down form tab on gate where coin enters in (diagonal "ramp") such that coins will fall between two tabs on the gate
- **To convert from .882 Brass Token to .984 Brass Token**
  - Replace Cradle with part# 05100081
- **To convert from U.S. 25¢ to .900 Brass Token**
  - Replace Cradle with part# 05100085
  - Change to an offset Undersize Lever - part# 05100048
  - Change to a staked gate assembly - part# 05100004
  - Add Diameter Adjustment Gauge, screw & washer - diameter adjustment gauge part# 04100019-02 screw part# P-104-4-3, washer part# 600-4
- **To convert from .984 Brass Token to .882 Brass Token**
  - Replace Cradle with part# 05100085
- **To convert from Combo (25¢/.984 Token) to .984 Brass Token Only**
  - Replace Cradle with part# 05100081
  - \*Quarters should fall through cradle legs
- **To convert from .984 Brass Token to .900 Brass Token**
  - Replace Cradle with part# 05100085
  - Change to an offset Undersize Lever - part# 05100048



Coin Mechanisms currently offers complete Token Mechanisms for the following common brass token sizes:

.800"	.984"/25¢US (Combo)
.882"	1"
.900"	1-1/8"
.984" (QST)	

\*Custom sizes are also available

Coin Mechanisms does **not** manufacture tokens. A list of token manufacturing companies is available. To receive a copy call, write or fax our Sales department; or ask a Sales Associate when placing an order.