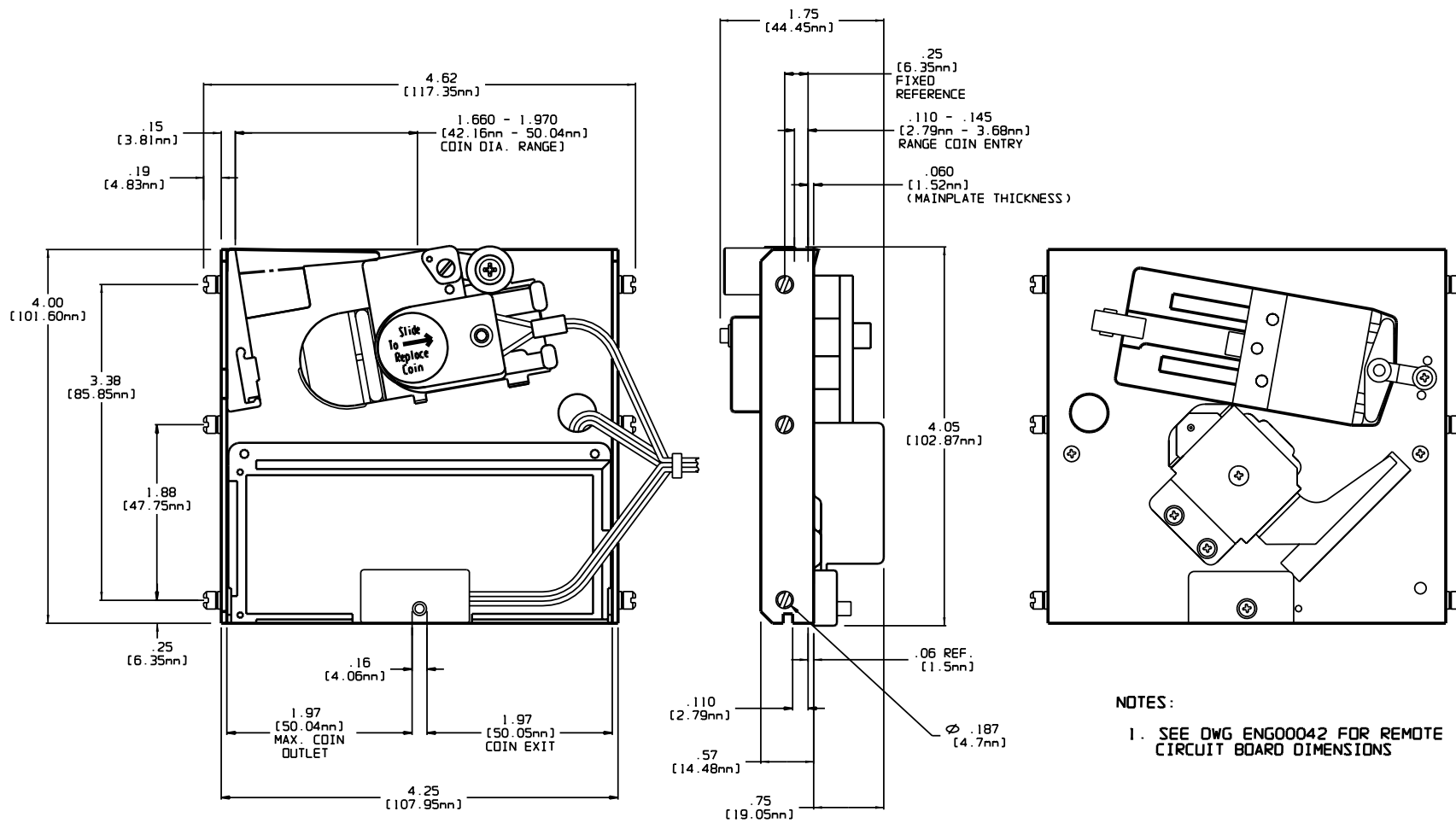


# DIMENSIONS



NOTES:  
 1. SEE DWG ENG00042 FOR REMOTE CIRCUIT BOARD DIMENSIONS



## COIN MECHANISMS INC.

P.O. Box 5128, Glendale Heights, IL 60139-5128  
 630/924-7070\*1-800/323-6498\*FAX 630/924-7088\*E-MAIL-coinmech@coinmech.com  
 VISIT OUR WEB SITE AT [www.coinmech.com](http://www.coinmech.com)

P/N ENG00041 -5/02