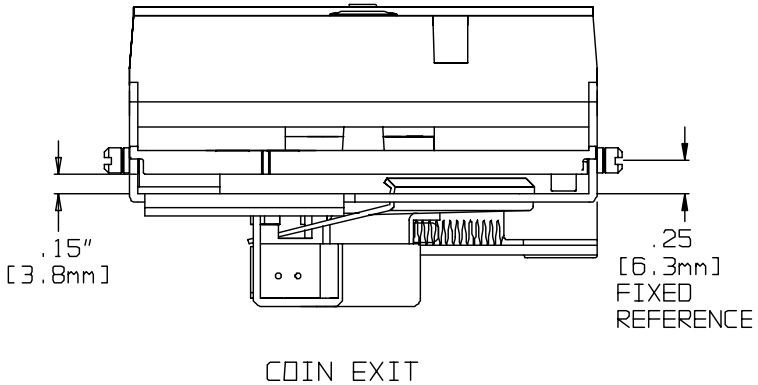
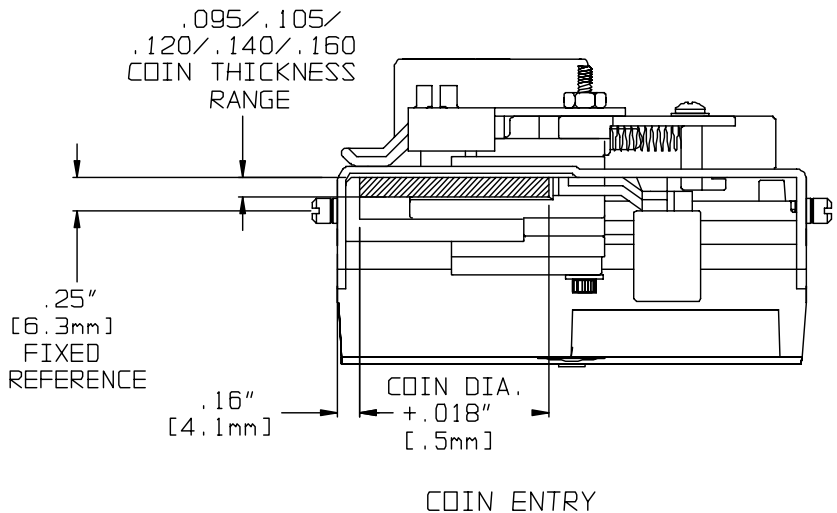
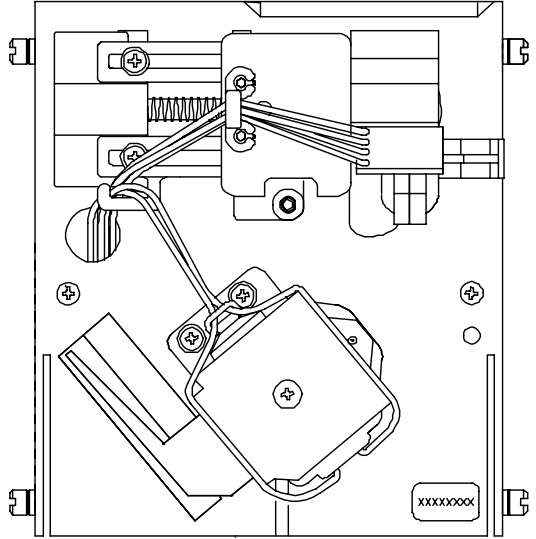
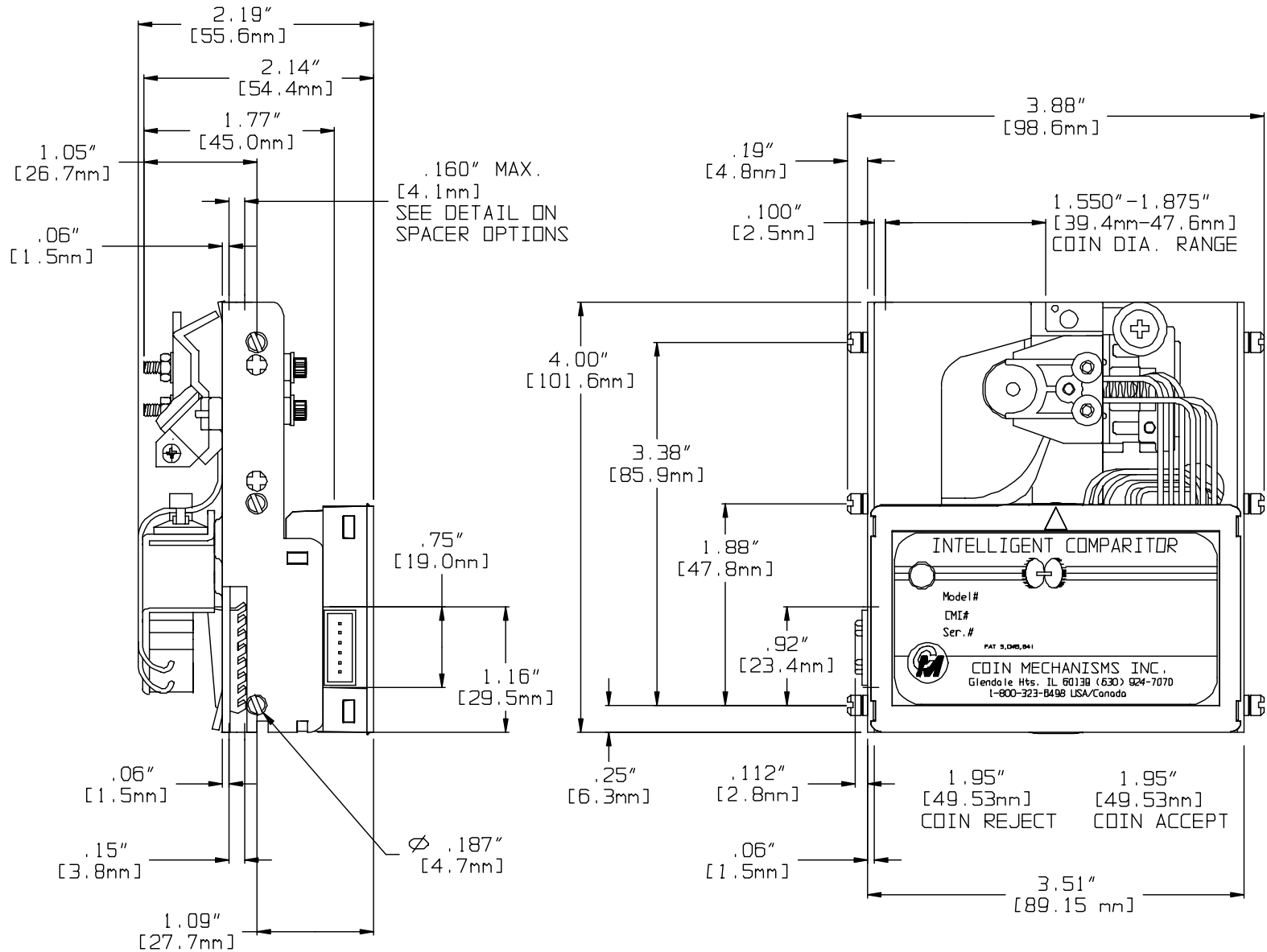


IC-36 SMART MARK DIMENSIONS DWG# ENG00087



.160" [4.1mm]	.310" [7.9mm]
.140" [3.6mm]	.290" [7.4mm]
.120" [3.0mm]	.270" [6.9mm]
.105" [2.7mm]	.255" [6.5mm]
.095" [2.4mm]	.245" [6.2mm]
.082" [2.1mm]	.232" [5.9mm]
.072" [1.8mm]	.222" [5.3mm]
"A" SPACER	"B" ENTRY
SPACER OPTIONS	

