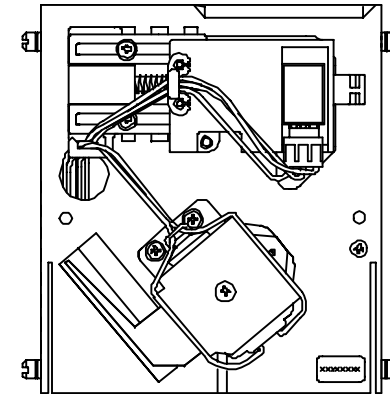
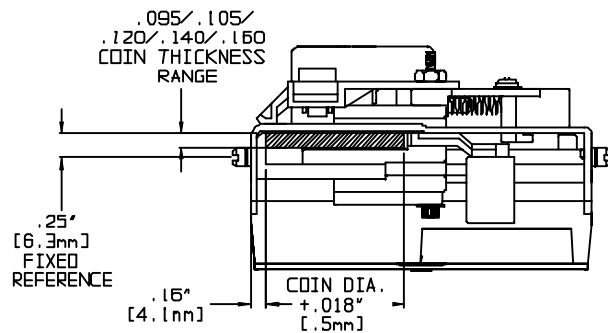


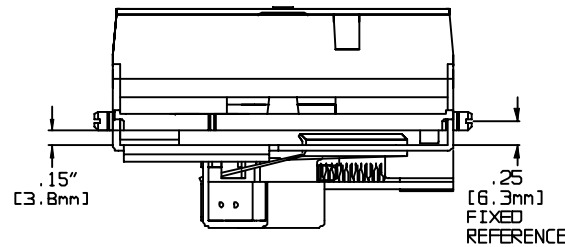
**IC-36  
VALENCE SENSOR  
DIMENSIONS  
DWG# ENG00095**



BACK VIEW  
ROUTING FOR ACCEPT COIL LEADS

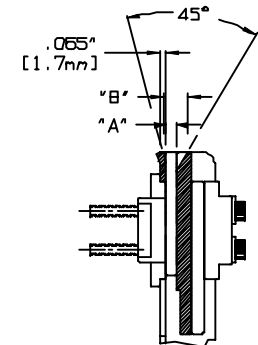


COIN ENTRY



COIN EXIT

.160" [4.1mm]	.310" [7.9mm]
.140" [3.6mm]	.290" [7.4mm]
.120" [3.0mm]	.270" [6.9mm]
.105" [2.7mm]	.255" [6.5mm]
.095" [2.4mm]	.245" [6.2mm]
.082" [2.1mm]	.232" [5.9mm]
.072" [1.8mm]	.222" [5.3mm]
"A" SPACER	"B" ENTRY
SPACER OPTIONS	



**COIN MECHANISMS INC.**

P.O. Box 5128, Glendale Heights, IL 60139-5128  
630/924-7070\*1-800/323-6498\*FAX 630/924-7088\*E-MAIL-coinmech@coinmech.com  
VISIT OUR WEB SITE AT [www.coinmech.com](http://www.coinmech.com)

P/N ENG00095 -5/02

