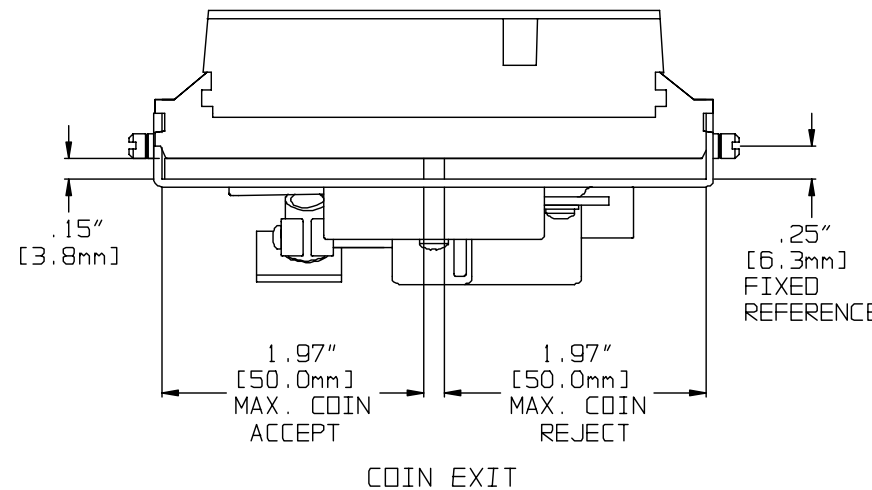
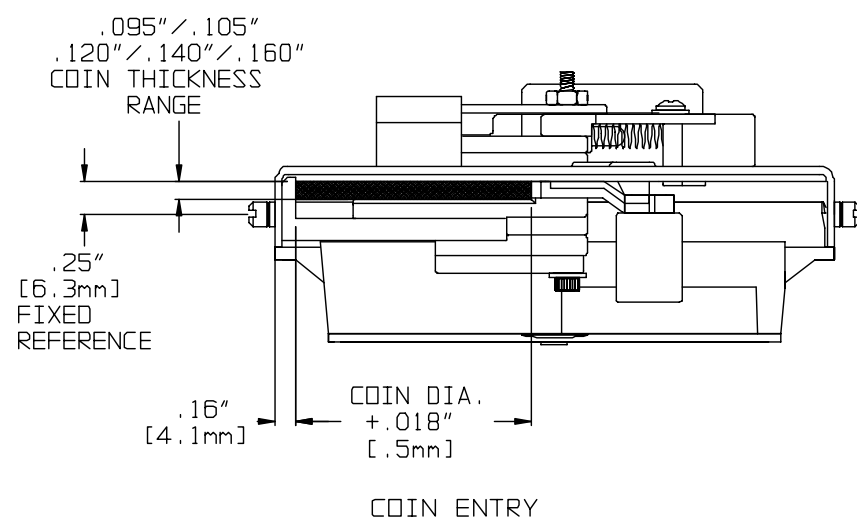
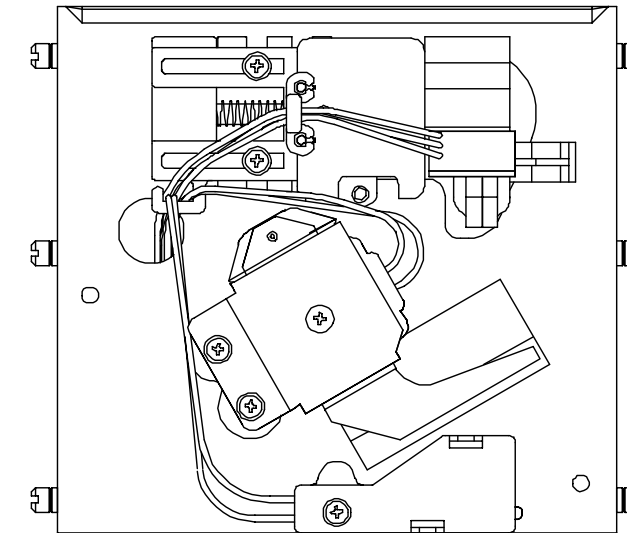
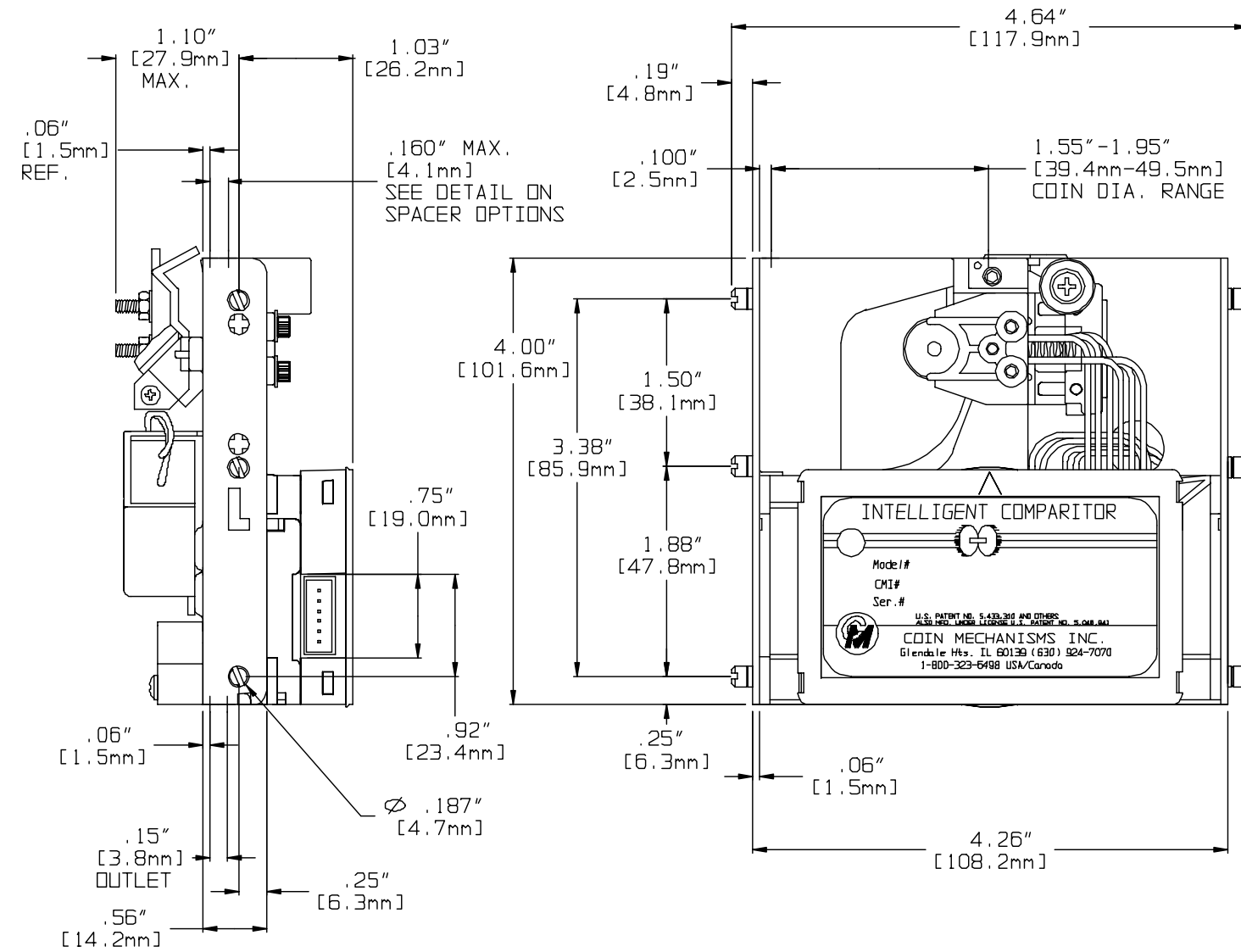
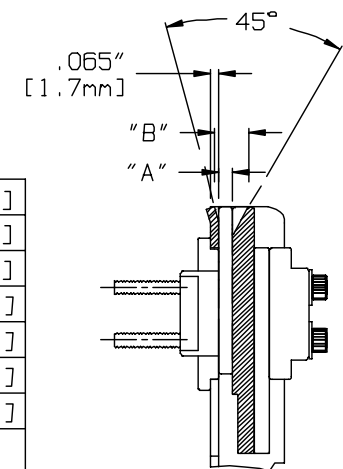


**IC-40WB/62WB
SMART MARK
DIMENSIONS
DWG# ENG00102**



| | |
|----------------|---------------|
| .160" [4.1mm] | .310" [7.9mm] |
| .140" [3.6mm] | .290" [7.4mm] |
| .120" [3.0mm] | .270" [6.9mm] |
| .105" [2.7mm] | .255" [6.5mm] |
| .095" [2.4mm] | .245" [6.2mm] |
| .082" [2.1mm] | .232" [5.9mm] |
| .072" [1.8mm] | .222" [5.3mm] |
| "A" SPACER | "B" ENTRY |
| SPACER OPTIONS | |



COIN MECHANISMS INC.

P.O. Box 5128, Glendale Heights, IL 60139-5128 P/N ENG00102 -5/02
630/924-7070*1-800/323-6498*FAX 630/924-7088*E-MAIL-coinmech@coinmech.com
VISIT OUR WEB SITE AT www.coinmech.com