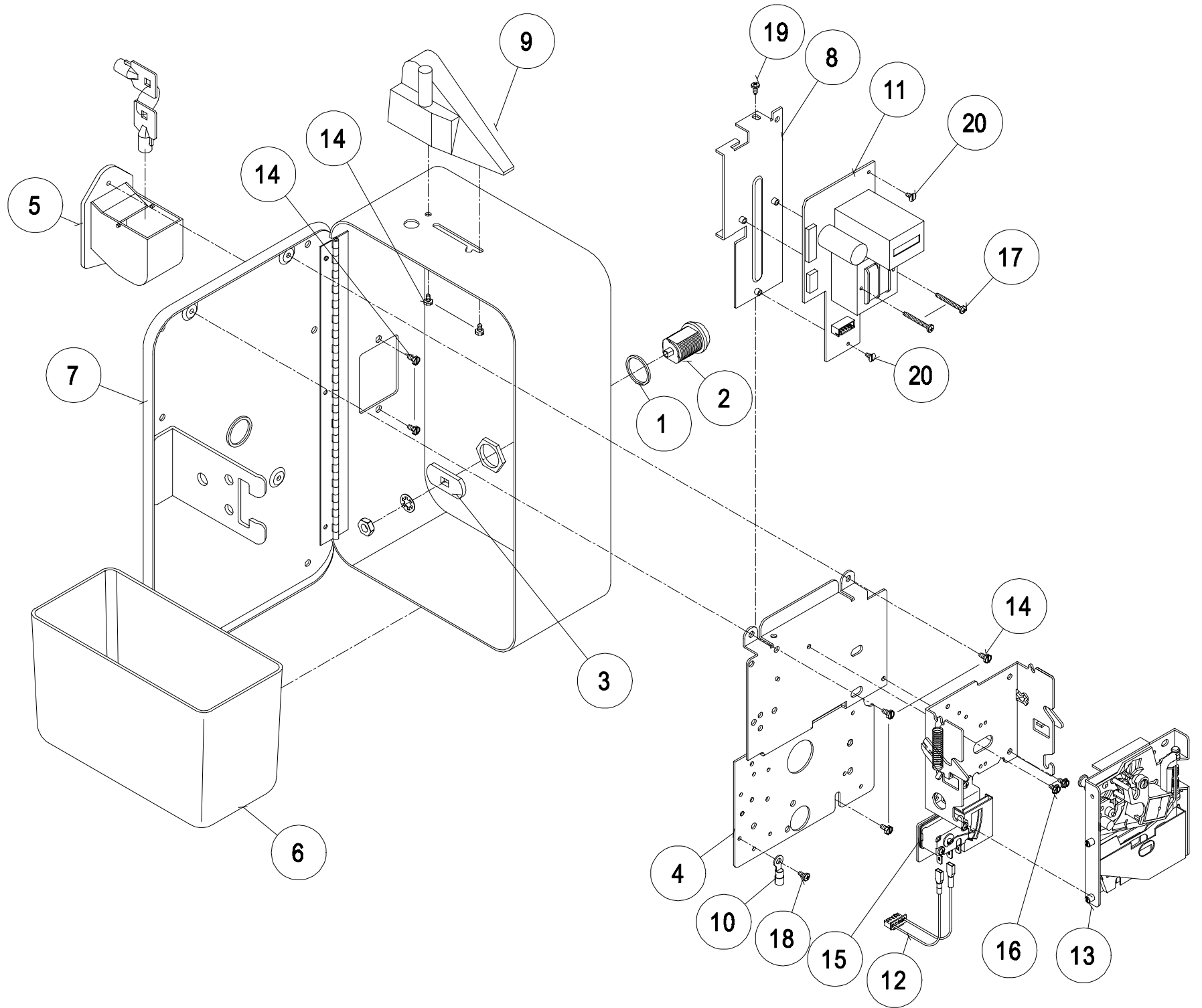




Document # 33300070

DATE: 6/28/01



ITEM	P/N	QTY	MATERIAL DESCRIPTION
1	04020003	1	SPACER, LOCK , 1/16
2	04090095	1	LOCK, 5/8, GEM, KD, AMETEK
3	04330023-01	1	CAM, COIN BX,. 290 X .220, HOLE
4	04330063-01	1	PLATE, MTG, MAX-T, GND
5	04330106-07	1	CUP, COIN RETURN, SIDE HOLES
6	04330129	1	BOX, CASH, PLASTIC, 4"
7	05330024-47	1	HSG, ASSY, SIDE CUP, TE, HINGE
8	05330040	1	BRKT, ASSY, CLIP MTG, MAX-T PLUS
9	06330004-07	1	COIN INS, ASSY ,25C, CHROME
10	08266113	1	TERMINAL, RING, 16-14 GAUGE, #8
11	09270132	1	PCB, ACC/TMR, MAX-II, 120VAC CNTR
12	09280047	1	I/F, ASSY, MAX-II TIMER, 5 PIN, BLK/GRN
13	10130002	1	MECH, USA, 25C, 4B
14	114-8-3	7	SCREW, 8-32 X 3/16,UNSLTD,HEX, INDENTED HD, STEEL MS
15	17000002	1	CHNL ASSY, 4B, USA, 25C, LESS MECH, 882/955
16	209-8-4	2	SCREW, 8-32 X 1 /4, HEX, W/HD ROLOK WASHERHEAD
17	P-104-4-22	2	SCREW, 4-4 0 X 1-3/8, MS, STEEL
18	P-190-6-2	1	SCREW, 6-32 X 1 /8 ,PHIL, PH, SERRATED, MS
19	PSQ-216-6-4	1	SCREW, 6-32 X 1/4, PHIL/SQUARE, PH
20	S-108N4-4	2	SCREW, 4-40 X 1/4, SLTD, NYLON