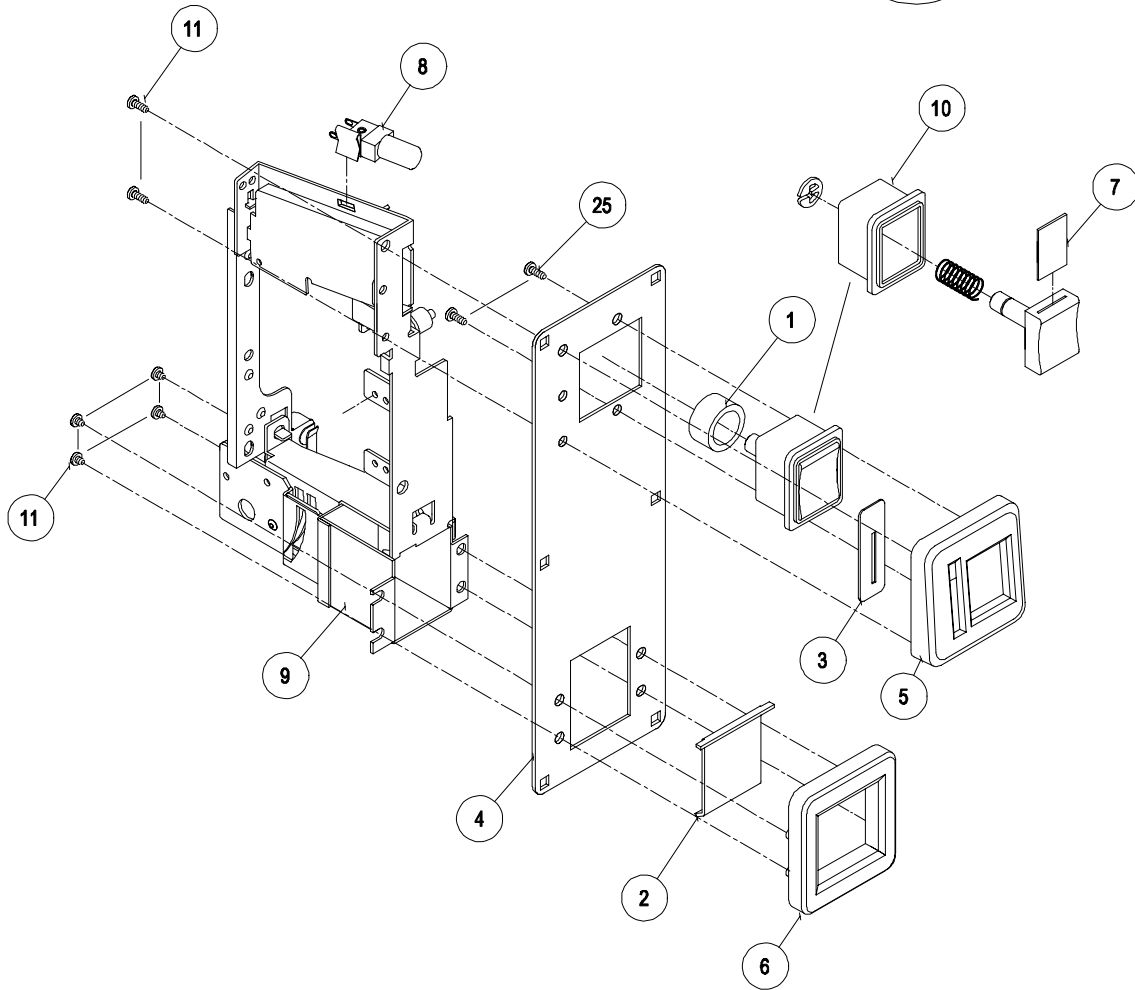


8000 SERIES SINGLE FACEPLATE



P/N 80010017

MATERIAL COLUMN			
ITEM	P/N	QTY	MATL' DESCRIPTION
1	04060053	1	SPACER, SWITCH BUTTON
2	04800007-38	1	DR, CUP, COIN RETURN
3	04800021-52	1	PLATE, COIN INS, 1055 X 090, E
4	04800043-37	1	FP, 3"
5	04800070	1	BEZEL, COIN ENTRY, TKN, 2.16
6	04800071	1	BEZEL, RETURN CUP, PLASTIC, 2.16
7	04800149	1	DENOM INS, PUSH TO REJECT
8	06800040	1	SOCKET, ASSY, 14V
9	06800052	1	MMB, ASSY, LS, CC40
10	50780002	1	KIT ASSY, BUTTON, NO DENOM, AMBER
11	P-217-8-6	8	SCREW, 8-3/8, PHIL, PH, HI-LO



COIN MECHANISMS INC.

P.O. Box 5128, Glendale Heights, IL 60139-5128
 630/924-7070*1-800/323-6498*FAX 630/924-7088*E-MAIL-coinmech@coinmech.com
 VISIT OUR WEB SITE AT www.coinmech.com