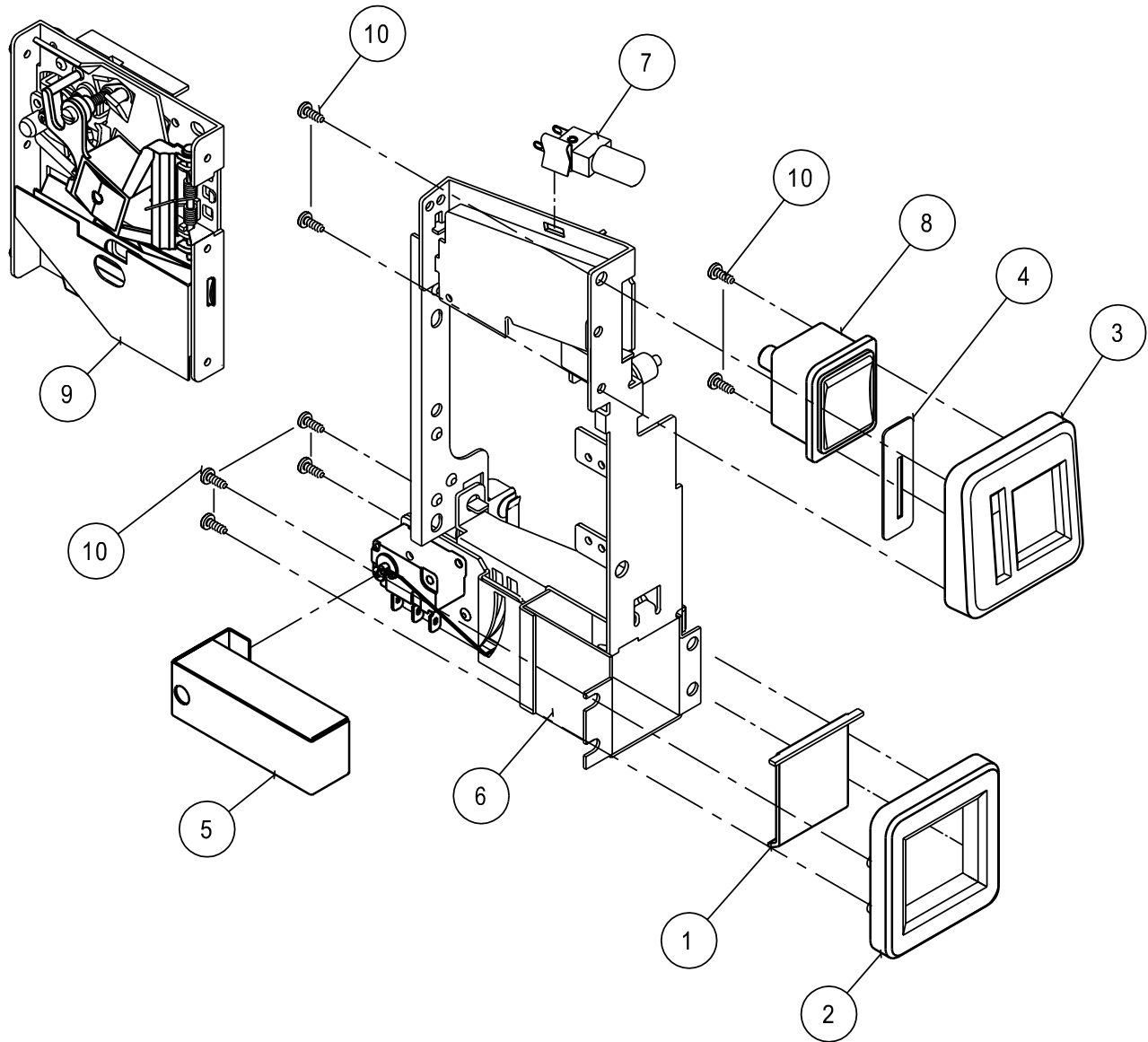


8000 SERIES FACEPLATE KIT



P/N 50800055

MATERIAL COLUMN

ITEM	P/N	QTY	MATL' DESCRIPTION	ITEM	P/N	QTY	MATL' DESCRIPTION
1	04800007-38	1	DR, CUP, COIN RETURN	6	06800026	1	MMB, ASSY, USA, 25C, LESS MECH
2	04800038-37	1	BEZEL, COIN CUP	7	06800040	1	SOCKET, ASSY, 14V
3	04800039-37	1	BEZEL, ENTRY CASTING	8	06800104-71	1	BUTTON, ASSY, 50C, AMBER
4	04800041-52	1	PLATE, COIN INS, 890 X 080, F	9	10430073	1	MECH, MEX, 50 CENTAVOS
5	04800086-52	1	COVER, SWITCH, LWR	10	PSQ-216-6-4	8	SCREW, 6-32 X 1/4, PHIL/SQUARE, PH



COIN MECHANISMS INC.

P.O. Box 5128, Glendale Heights, IL 60139-5128*1-800/323-6498*FAX 630/924-7088
E-MAIL coinnech@coinnech.com VISIT OUR WEBSITE AT www.coinnech.com