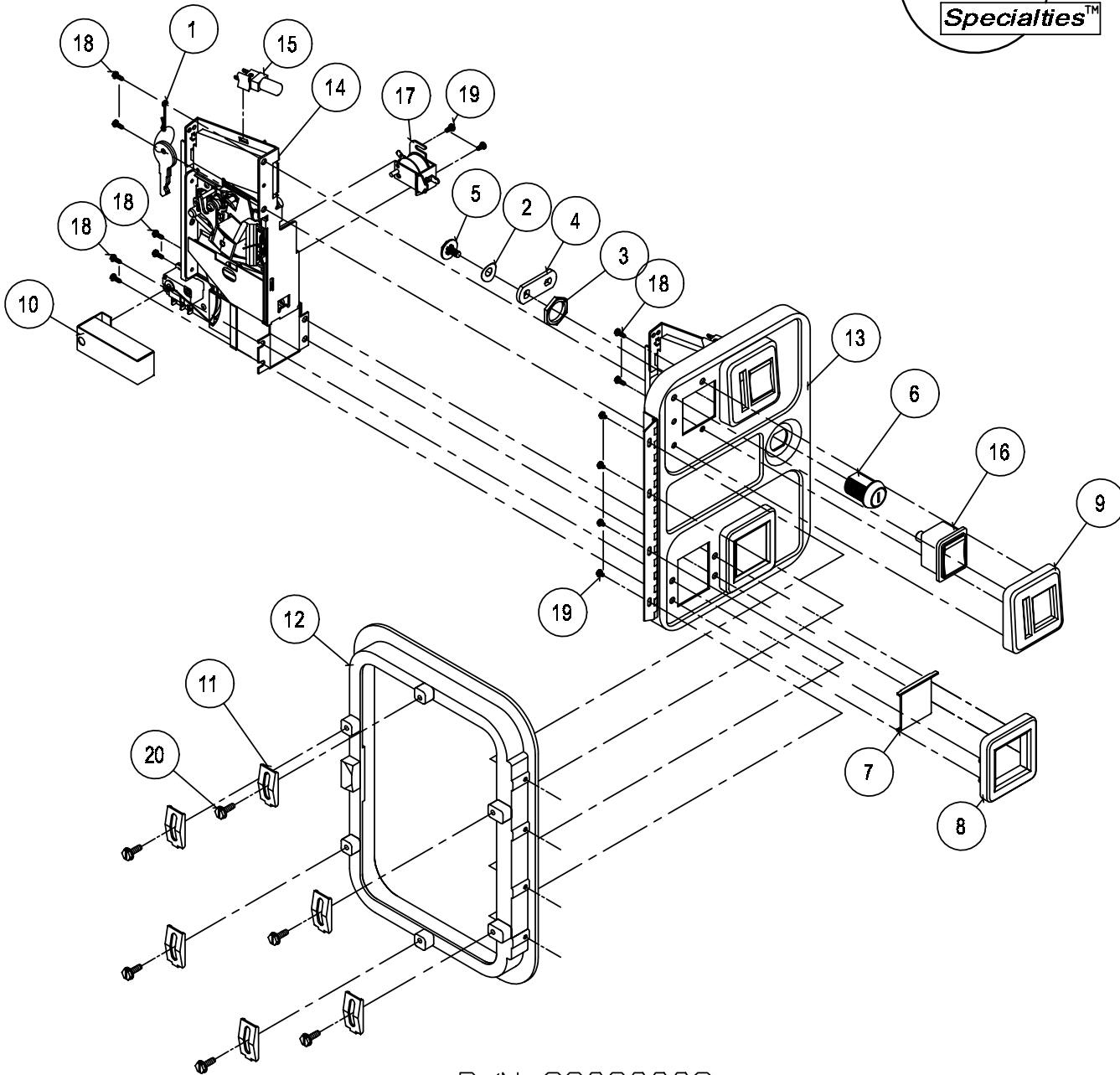


# 9200 SMALL DRAWN DOOR



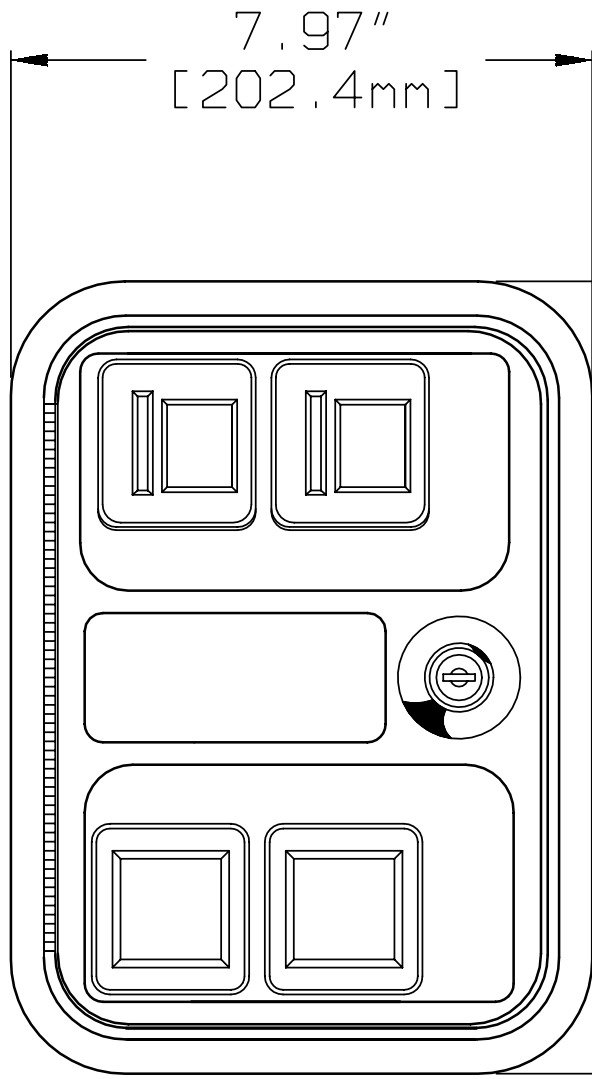
P/N 92020006

MATERIAL COLUMN							
ITEM	P/N	QTY	MATL' DESCRIPTION	ITEM	P/N	QTY	MATL' DESCRIPTION
1	04050021	1	HOOK, KEY	11	04920008-02	6	CLAMP, MTG, FRAME, SM
2	04090021	1	WASHER, ARC, .015 X .281 ID X .62 OD	12	04920013-37	1	FRAME, DR, SM, DRAWN
3	04090086	1	NUT, PANEL, 3/4-24, STAMPED	13	05920005-37	1	DR, ASSY, SM, DRN, 2 SLOT, EMB
4	04090087	1	CAM, 1/8 X 5/8 X 1-1/4 DBL "D"	14	06800027	2	MMB, ASSY, USA, 25C
5	04090569	1	SCREW, 10 X 24 X 3/8, PHIL, HX, SEMS	15	06800040	2	SOCKET, ASSY, 14V
6	04090570	1	LOCK, 7/8, FK, KD, HUDWAVE	16	06800103-71	2	BUTTON, ASSY, 25C, AMBER
7	04800007-38	2	DR, CLIP, COIN RETURN	17	08250138	2	COIL, CREM, 10VDC, 9/32 PIN
8	04800071	2	BEZEL, RETURN CLIP, PLASTIC, 2.16	18	P-217-8-6	16	SCREW, 8-3/8, PHIL, PH, HI-LO
9	04800075	2	BEZEL, COIN ENTRY, 25C, 2.16	19	PSQ-216-6-4	6	SCREW, 6-32 X 1/4, PHIL/SQUARE, PH
10	04800086-52	2	COVER, SWITCH, LWR	20	S-116-10-6	6	SCREW, 10-32 X 3/8, SLTD, INDENTED, HEX, WASHER HEAD, MS



COIN MECHANISMS INC.

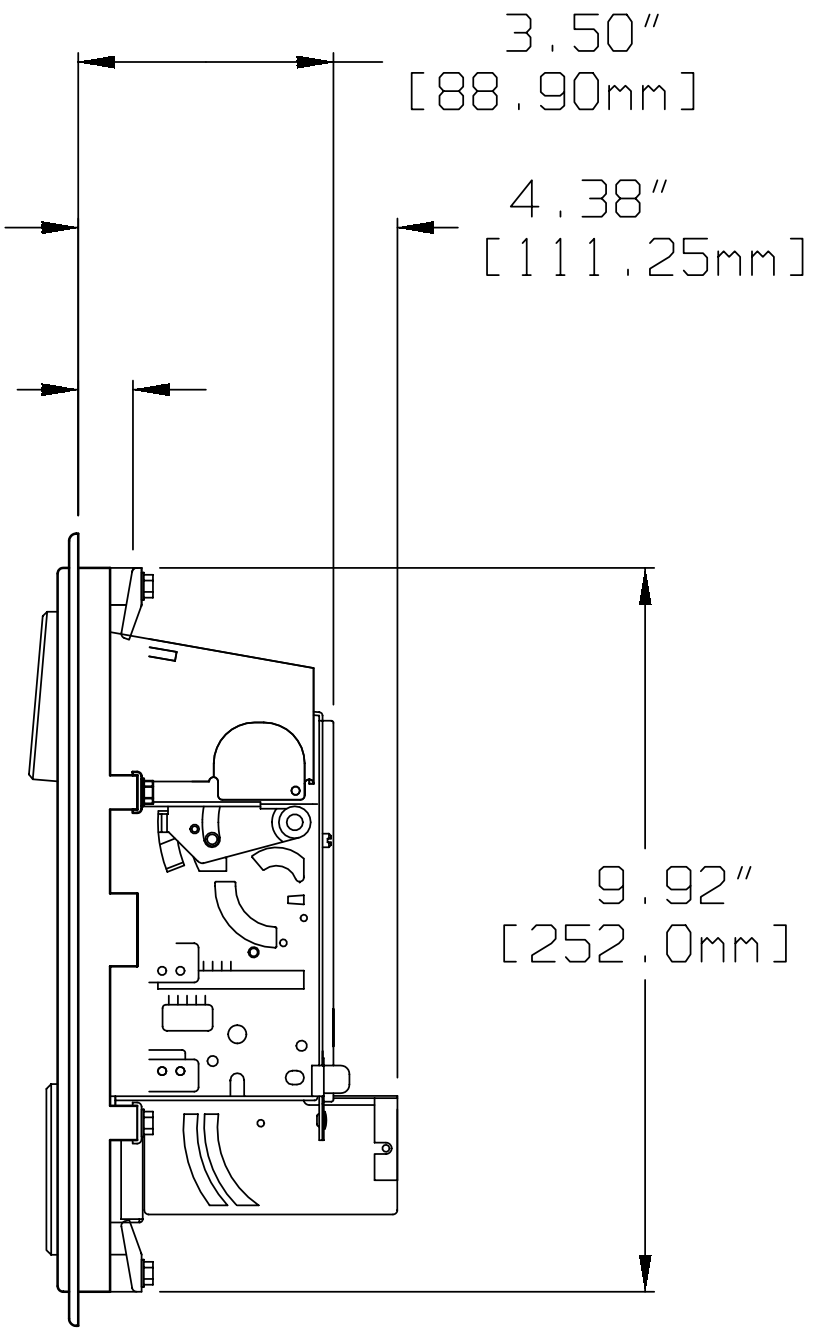
P.O. Box 5128, Glendale Heights, IL 60139-5128\*1-800/323-6498\*FAX 630/924-7088  
E-MAIL coinmech@coinmech.com VISIT OUR WEBSITE AT www.coinmech.com



7.97"  
[202.4mm]

10.86"  
[275.8mm]

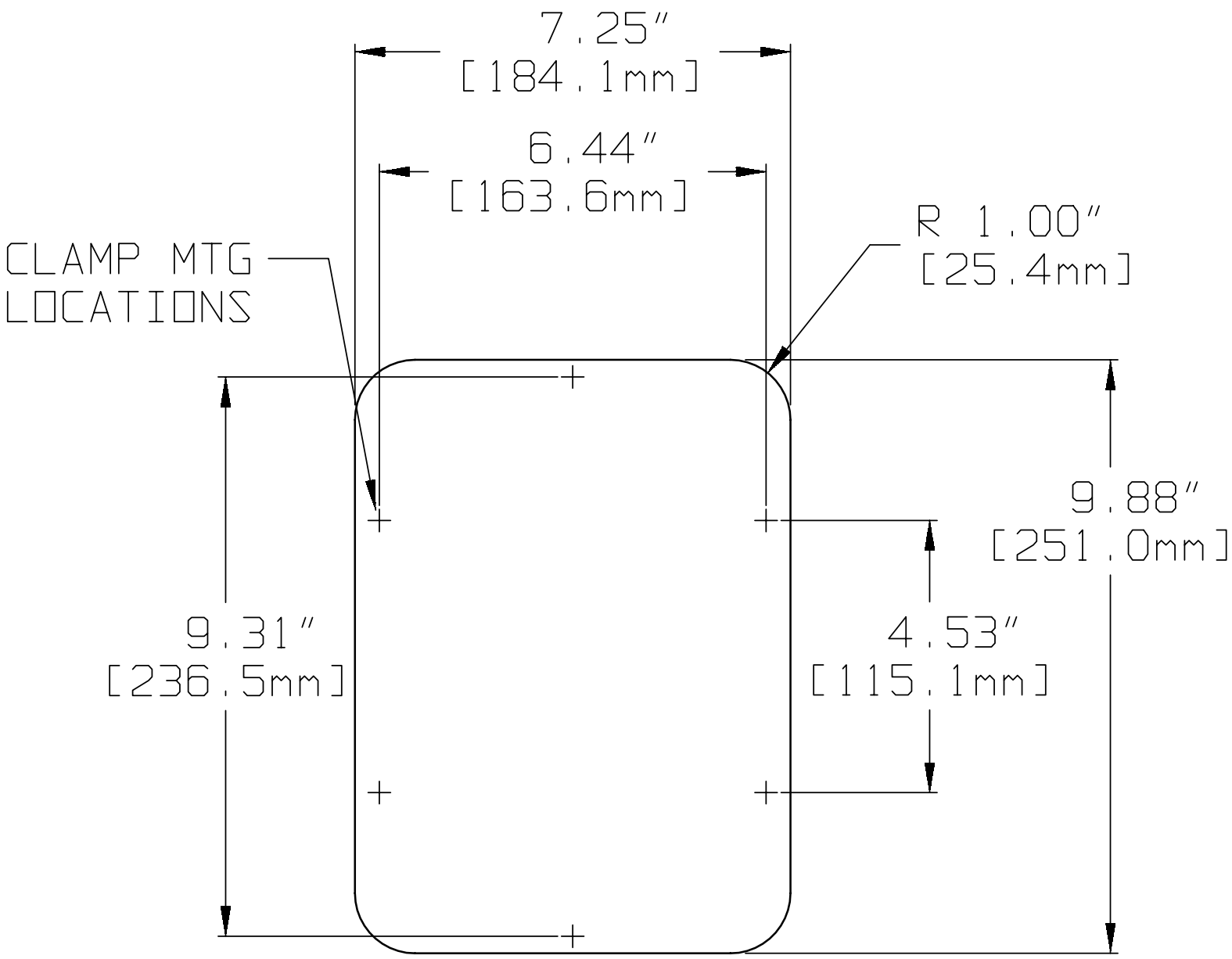
.75"  
[19.0mm]  
MTG DEPTH



3.50"  
[88.90mm]

4.38"  
[111.25mm]

9.92"  
[252.0mm]



# CUTOUT