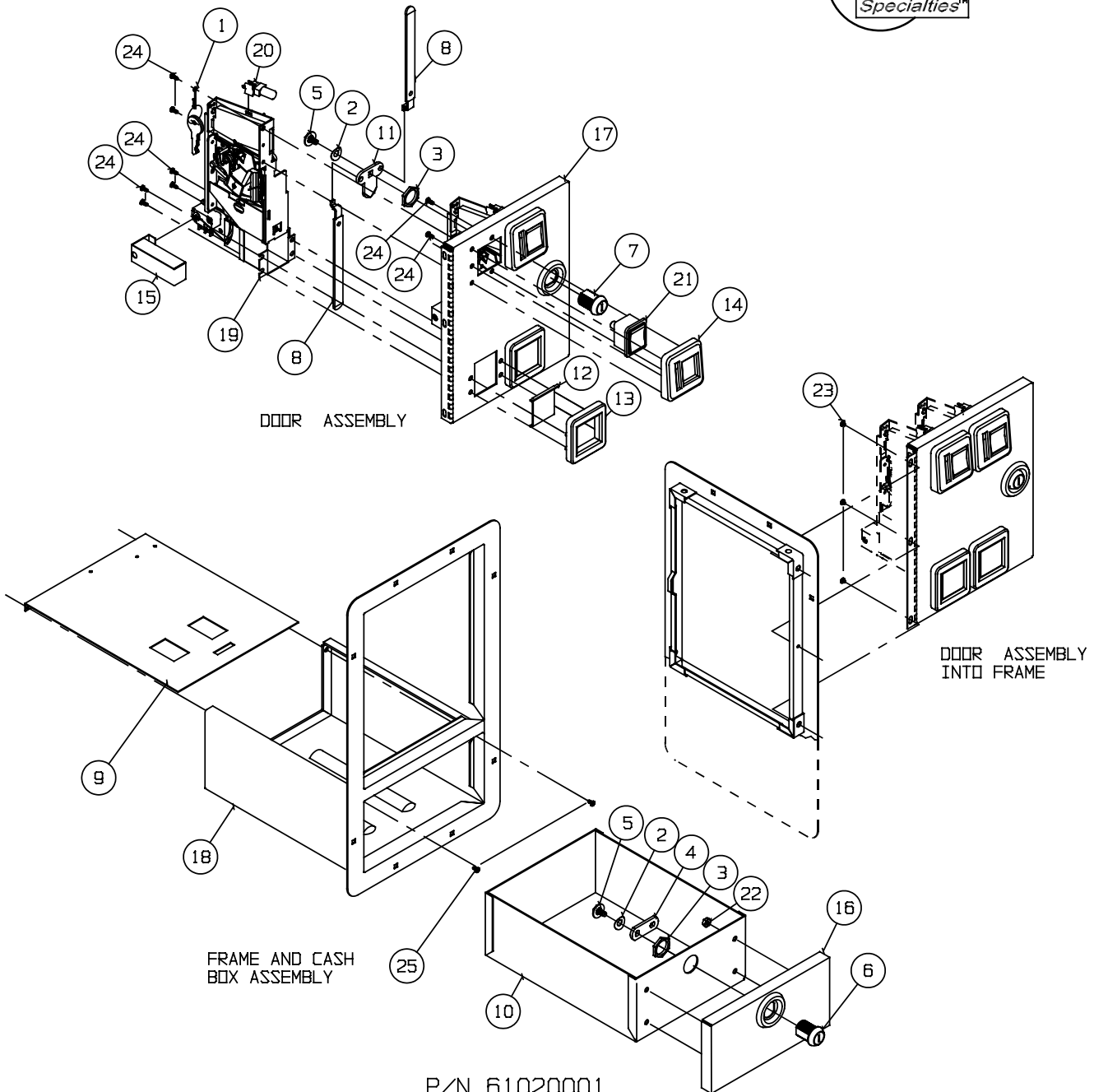


6100 SERIES CASH DRAWER SYSTEM



MATERIAL COLUMN							
ITEM	P/N	QTY	MATL' DESCRIPTION	ITEM	P/N	QTY	MATL' DESCRIPTION
1	04050021	1	HOOK, KEY	14	04800075	2	BEZEL, COIN ENTRY, 25C, 2.16
2	04090021	2	WASHER, ARC, .015 X 28 ID X .62 OD	15	04800086-52	2	COVER, SWITCH, LWR
3	04090086	2	NUT, PANEL, 3/4-24, STAMPED	16	05610004-37	1	FRONT, ASSY, CASH DRAWER
4	04090087	1	CAM, 1/8 X 5/8 1-1/4 DBL "D"	17	05610012-37	1	DR, ASSY, SM, 2 SLOT
5	04090569	2	SCREW, 10 X 24 X 3/8 PHIL, HEX, SEM	18	05610014-37	1	FRAME, ASSY, CASH DRAWER, 9-1/2
6	04090570	1	LOCK, 7/8, FK, KD, HUDWAVE	19	06800027	2	MMB, ASSY, USA, 25C
7	04090575	1	LOCK, 7/8, FK, KA, #SA105, HUDWAVE	20	06800040	2	SOCKET ASSY, 14V
8	04610005-02	2	BAR, LOCKING, 4", NEWSTYLE	21	06800104-71	2	BLUTTON, ASSY, AMBER, 50C
9	04610020	1	COVER, SHROUD, CASH DRAWER, 9-1/2, 2 SLOT	22	410-8	4	NUT, 8-32 FINISHED HEX NUT
10	04610087	1	CASH, DRAWER, 9"	23	P-108-6-2-1/2	3	SCREW, 6-32 X 5/32, PHIL, BIND HEAD
11	04770042-01	1	CAM, 3PT, LOCKING	24	P-217-8-6	16	SCREW, 8-3/8, PHIL, PH, HI-LO
12	04800007-38	2	DR, CLIP, COIN RETURN	25	PSQ-216-6-4	3	SCREW, 6-32 X 1/4, PHIL/SQ
13	04800071	2	BEZEL, RETURN CLIP, PLASTIC, 2.16				



COIN MECHANISMS INC.

P.O. Box 5128, Glendale Heights, IL 60139-5128*1-800/323-6498*FAX 630/924-7088
E-MAIL coinmech@coinmech.com VISIT OUR WEBSITE AT www.coinmech.com