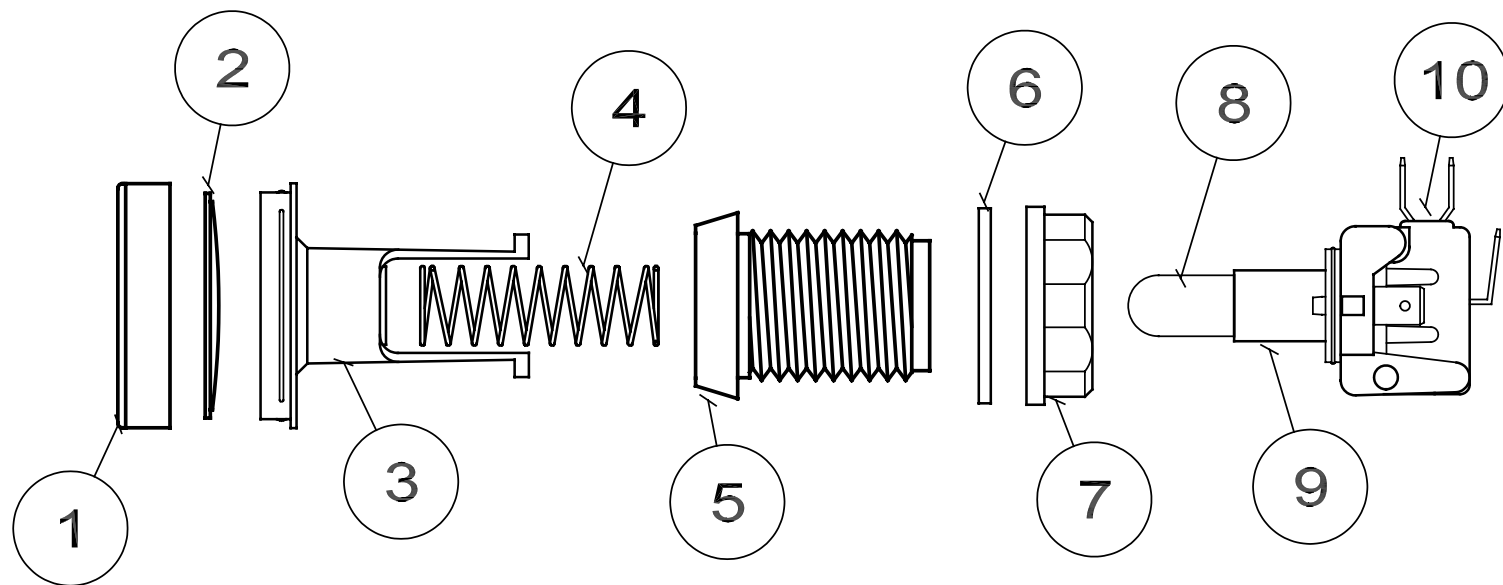


# BUTTONS: 2901 RPB series

## Parts List



| MATERIAL COLUMN |            |        |  |
|-----------------|------------|--------|--|
| ITEM            | CMI P/N    | SUFFIX | DESCRIPTION                              |
| 1               | 905311     |        | LENS CAP,RPB                             |
|                 |            | -2.5   | RED                                      |
|                 |            | -3.5   | YELLOW                                   |
|                 |            | -4.5   | LT GREEN                                 |
|                 |            | -5.5   | AMBER                                    |
|                 |            | -7.5   | BLUE                                     |
|                 |            | -8.5   | CLEAR                                    |
| 2               | 905316     |        | PLATE,LEGEND-RPB                         |
|                 |            | -2.5   | RED                                      |
|                 |            | -3.5   | YELLOW                                   |
|                 |            | -4.5   | GREEN                                    |
|                 |            | -5.5   | AMBER                                    |
|                 |            | -6.5   | WHITE                                    |
|                 |            | -7.5   | BLUE                                     |
| 3               | 905321.6   |        | PLUNGER, RPB (WHITE ONLY)                |
| 4               | 905306-2   |        | SPRING, RETURN-PUSHBUTTON                |
| 5               | 905326-1.5 |        | BEZEL, RPB-BLACK                         |
| 6               | 905303.3   |        | WASHER, PUSHBUTTON                       |
| 7               | 905304.4   |        | NUT, PUSHBUTTON                          |
| 8               | 905305     |        | LAMP, WEDGEBASE                          |
|                 |            | -1     | 6.3 VOLTS, .25 AMPS                      |
|                 |            | -2     | 12 VOLTS, .25 AMPS                       |
|                 |            | -3     | 14 VOLTS, .19 AMPS                       |
|                 |            | -4     | 24 VOLTS, .14 AMPS                       |
|                 |            | -5     | 28 VOLTS, .06 AMPS                       |
|                 |            | -9     | 14 VOLTS, .08 AMPS                       |
|                 |            | -10    | 6.3 VOLTS DC, .25 AMPS                   |
| 9               | 404868-1   |        | HOLDER, W/TERMINAL .250, L/LAMP & SWITCH |
| 10              | 908950     |        | SWITCH, LIMIT-PLUNGER, PUSH BUTTON       |
|                 | 902269     |        | SWITCH, MTR PULSE,.187, SP, GOLD         |