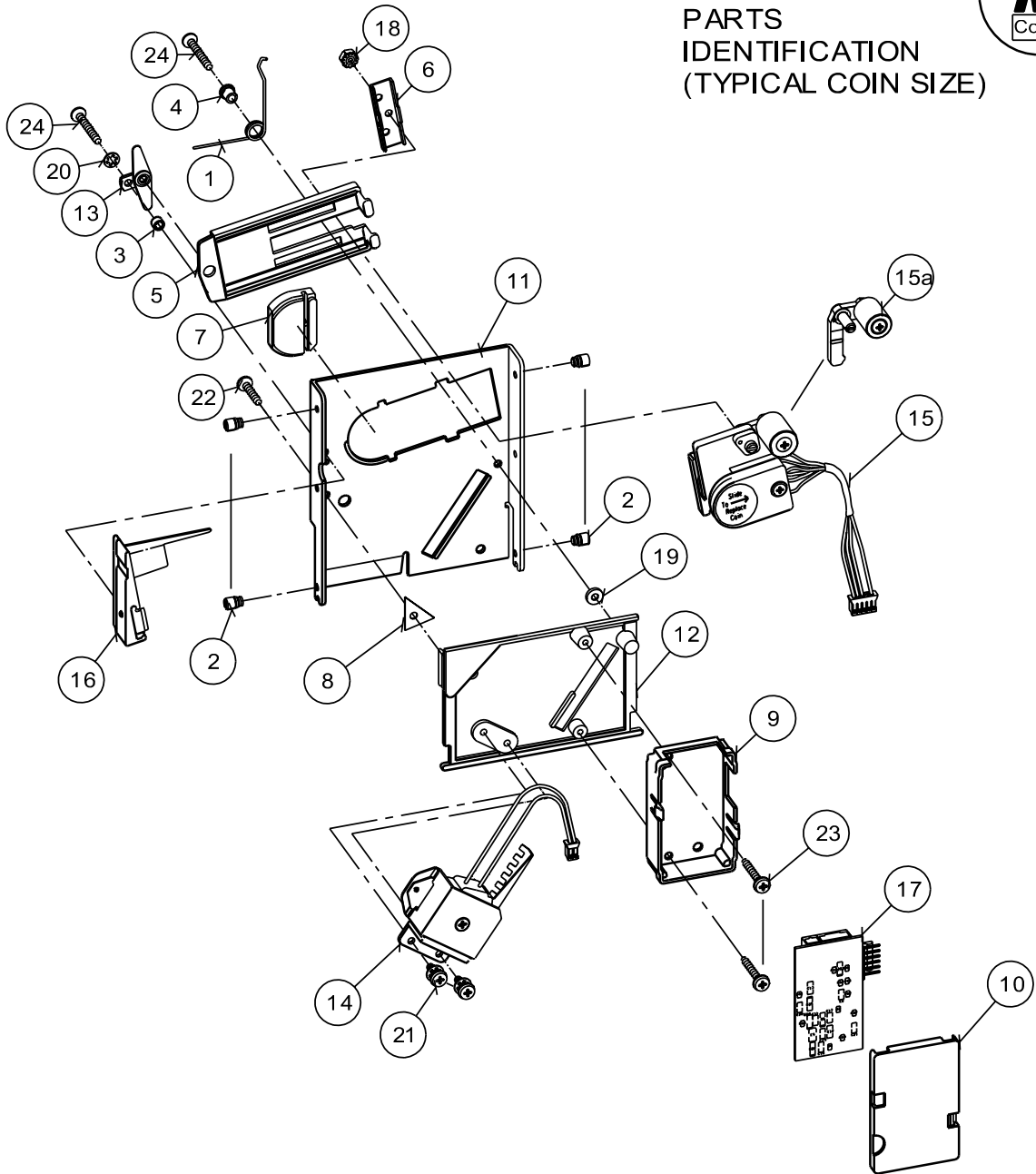


CC-36 \$1  
PARTS  
IDENTIFICATION  
(TYPICAL COIN SIZE)



ITEM NO.	06360003	06360004
8	X	X
15	X	X

8		04660132
		06250238
		06250239

MATERIAL COLUMN				MATERIAL COLUMN			
ITEM	P/N	QTY	MATL' DESCRIPTION	ITEM	P/N	QTY	MATL' DESCRIPTION
1	04050033	1	SPRING, TORSION, "38" MECH	14	06250194	1	COIL & BRKT, ASSY, 4" GRN, SPH TERM, CC32 EXT, SS
2	04060005-01	4	STUD, #6 MTG	15	0625XXXX	1	COIL, ASSY, SENSOR, CC36
3	04060035-01	1	SPACER, RAIL MTG	15a	06660076	—	DAMPER & WEIGHT, ASSY, 14.2 G
4	04060041	1	BUSHING, SPRING LOCATING	16	06660022	1	RAIL, ASSY, LG RAIL, STD INSERT
5	04660030	1	SHIELD, SENSOR COIL RETAINING	17	09270189	1	PCB, CTRL, 13VDC, S13MS, INH, SMT
6	04660062-01	1	BRKT, COIL LOCKING	18	436-4	1	NUT, 4-40, HEX, KEPS
7	04660103	1	SPACER, SENSOR COIL, CC-37	19	606-110N	1	WASHER, NYLON, .110 ID X .020 THICK
8	04660132	1	SPACER, MAINPLATE AND COVER	20	630-4	1	WASHER, LOCK, #4
9	04660142	1	HOUSING, CC-3X, IGT, 13VDC	21	P-186-4-3	2	SCREW, 4-40 X 3/16, PHIL/SQ, INT SEMS WASHER
10	04660143	1	COVER, CC-3X, IGT, 13VDC	22	P-221-4-4	1	SCREW, 4 X 1/4, TYPE 45, PLASTITE
11	04660145-05	1	MAINPLATE, RL, 45/50MM TKN, IGT	23	P-221-4-5	2	SCREW, 4 X 5/16, TYPE 45, PLASTITE
12	05660012	1	COVERPLATE, ASSY, TKN, 45/50MM	24	P-221-4-8	2	SCREW, 4 X 1/2, TYPE 45, PLASTITE
13	05660022	1	CLIP, ASSY, SPRING ADAPTOR				

P/N 09300305 - 07/03



**COIN MECHANISMS INC.**

P.O. Box 5128, Glendale Heights, IL 60139-5128\*1-800/323-6498\*FAX 630/924-7088  
E-MAIL coinmech@coinmech.com VISIT OUR WEBSITE AT www.coinmech.com