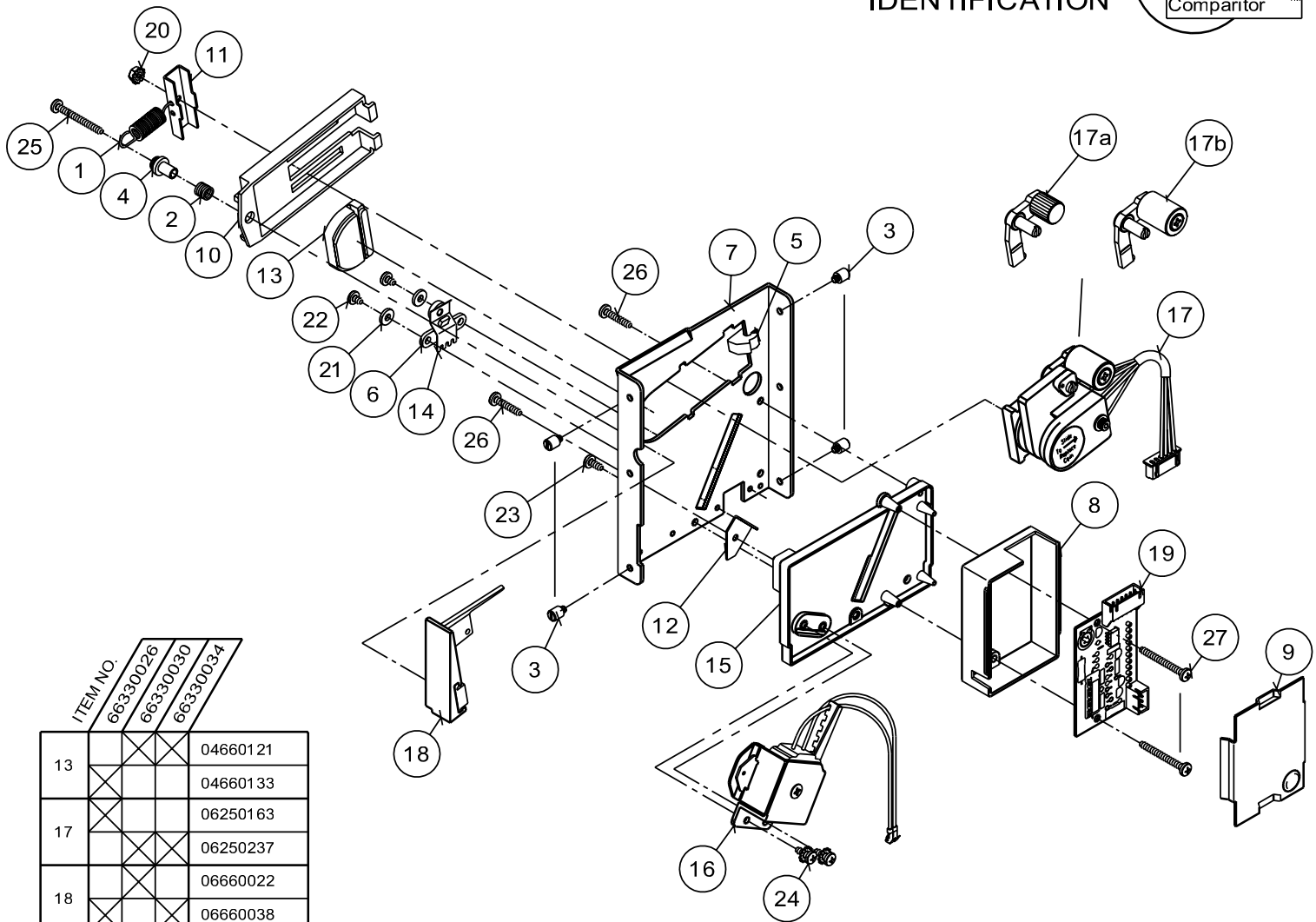


CC-33
PARTS
IDENTIFICATION



ITEM NO.	66330026	66330030	66330034
13			04660121
			04660133
17			06250163
			06250237
18			06660022
			06660038
25			P-104-4-12
			P-221-4-12

MATERIAL COLUMN

ITEM	P/N	QTY	MATL DESCRIPTION	ITEM	P/N	QTY	MATL DESCRIPTION
1	04050026	1	SPRING, EXTENSION COILS	16	06250003	1	COIL & BRKT, ASSY, GRY, 4, TERM, CC30-TYPE, RED
2	04050027	1	SPRING, COMPRESSION, COIL RETAINER	17	0625XXXX	1	COIL, ASSY, SENSOR,
3	04060005-01	4	STUD, #6 MTG	17a	06660073	—	DAMPER & WGT, ASSY, 6.0G, THK
4	04060052-01	1	BUSHING, SPRING RETAINING	17b	06660120	—	DAMPER & WGT, ASSY, 14.2G, \$1
5	04660002	1	STOP, SENSING COIL SAFETY	18	0666XXXX	1	RAIL, ASSY,
6	04660012-01	1	RETAINER, ANTI-STRINGING LEVER	19	09270250	1	PCB, CTRL, CC-37, 24VAC, S12MS, NOI, LC, GAIN1
7	04660013-05	1	MAINPLATE, RL	20	436-4	1	NUT, 4-40, HEX, KEPS
8	04660015	1	HOUSING, PCB, RL	21	600-6-1	2	WASHER, FLAT, DOUBLE THICKNESS
9	04660016-13	1	COVER, PCB	22	P-104-4-3	2	SCREW, 4-40 X 3/16, PHIL, PH, MS
10	04660030	1	SHIELD, SENSOR COIL RETAINING	23	P-104-4-6	1	SCREW, 4-40 X 3/8, PHIL, PH, MS
11	04660062-01	1	BRACKET, COIL LOCKING	24	P-186-4-3	2	SCREW, 4-40 X 3/16, PHIL/SQ, INT SEMS
12	04660177-51	1	BRACKET, CC-33, RL, DEFLECTING RAMP	25	P-XXX-4-12	1	SCREW, 4 X 3/4,
13	0466XXXX	1	SPACER, PRIMARY SENSING COIL,	26	P-221-4-5	2	SCREW, 4 X 5/16, PHIL, TYPE 45, PLASTITE
14	05660010	1	LEVER, ASSY, ANTI-STRING	27	P-221-4-8	2	SCREW, 4 X 1/2, PHIL, TYPE 45, PLASTITE
15	05660032	1	COVERPLATE, ASSY, RL				



COIN MECHANISMS INC.

P.O. Box 5128, Glendale Heights, IL 60139-5128*1-800/323-6498*FAX 630/924-7088
E-MAIL coinmech@coinmech.com VISIT OUR WEBSITE AT www.coinmech.com