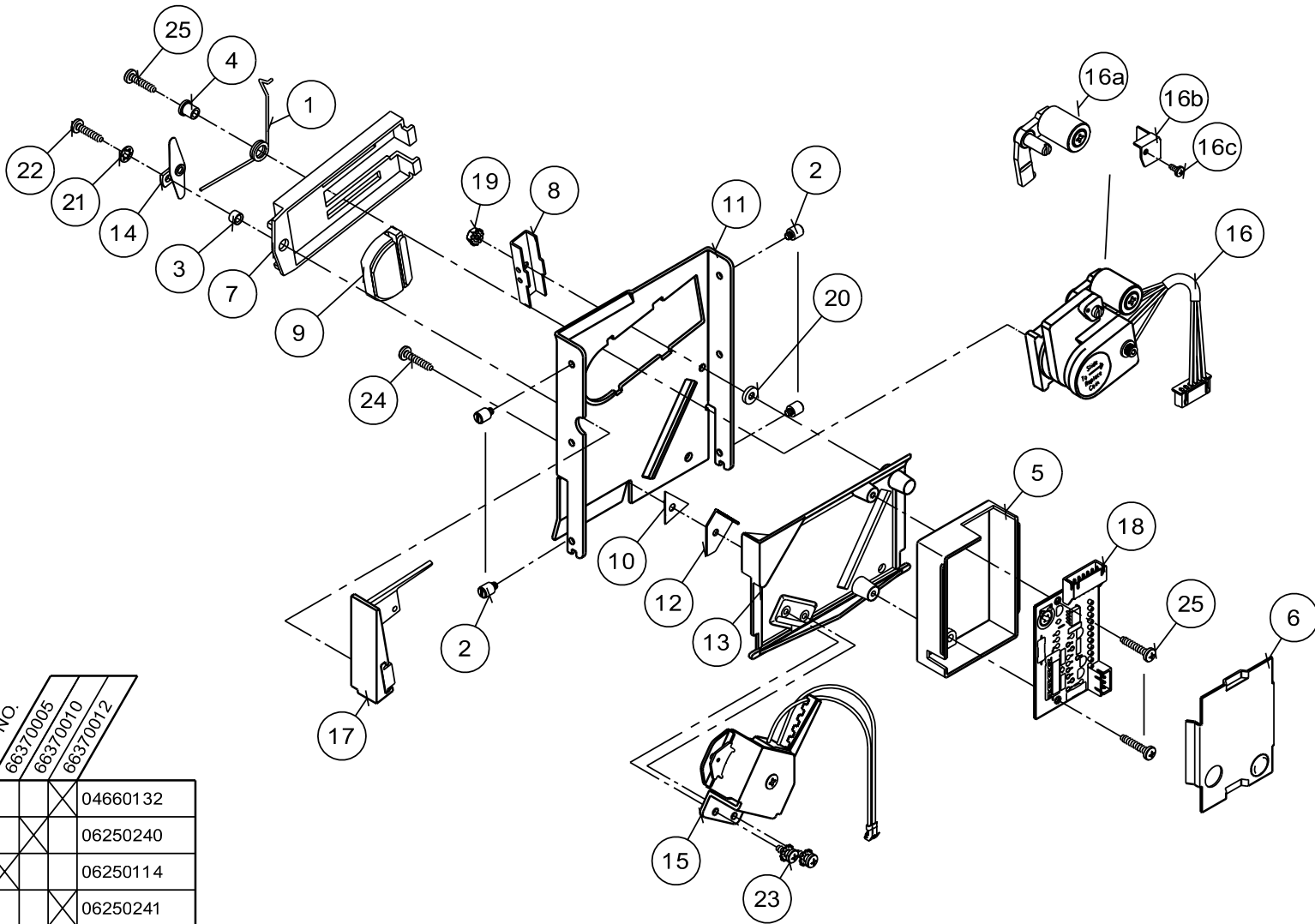


CC-37
PARTS
IDENTIFICATION



ITEM NO.	66370005	66370010	66370012
10			04660132
			06250240
16			06250114
			06250241
20			606-110N

MATERIAL COLUMN

ITEM	P/N	QTY	MATL DESCRIPTION	ITEM	P/N	QTY	MATL DESCRIPTION
1	04050033	1	SPRING, TORSION, "38" MECH	15	06250004	1	COIL & BRKT, ASSY, GRY, 4, TERM. CC37-TYPE
2	04060005-01	4	STUD, #6 MOUNTING	16	0625XXXX	1	COIL, ASSY, SENSOR
3	04060035-01	1	SPACER, RAIL MTG	16a	06660076	—	DAMPNER & WGT, ASSY, 14.26G, THK
4	04060041	1	BUSHING, SPRING LOCATING, ALUM	16b	04660124	—	BRKT, COIN GUIDE, DEEP SEAT
5	04660015	1	HSG, PCB, RL	16c	P-217-2-5	—	SCREW, 2-1/4, PHIL, PH, HI-LO
6	04660017-13	1	COVER, PCB HSG, IGT	17	06660022	1	RAIL, ASSY, LG RAIL, STD INSERT
7	04660030	1	SHIELD, SENSOR COIL RETAINING	18	09270250	1	PCB, CTRL, CC-37, 24VAC, S12MS, NOI, LC, GAIN1
8	04660062-01	1	BRKT, COIL LOCKING	19	436-4	1	NUT, 4-40, HEX, KEPS
9	04660103	1	SPACER, SENSOR COIL, CC-37	20	606-110N	1	WASHER, NYLON, .110ID X .020 THICK
10	04660132	1	SPACER, MAINPLATE AND COVER	21	630-4	1	WASHER, LOCK, #4
11	04660145-05	1	MAINPLATE, 45/50MM TKN	22	P-104-4-8	1	SCREW, 4-40 X 3/16, PHIL, SEMS WASHER
12	04660176-51	1	BRKT, CC-37, DEFLECTING RAMP, RL	23	P-186-4-3	2	SCREW, 4-40 X 3/16, PHIL, SEMS WASHER
13	05660012	1	COVERPLATE, ASSY, TKN, 45/50 MM	24	P-221-4-4	1	SCREW, 4-40 X 5/16, PHIL, PH, TAPTITE
14	05660022	1	CLIP, ASSY, SPRING ADAPTOR	25	P-221-4-8	3	SCREW, 4-40 X 1/2, PHIL, PH, MS

P/N 19300111 - 7/03



COIN MECHANISMS INC.

P.O. Box 5128, Glendale Heights, IL 60139-5128*1-800/323-6498*FAX 630/924-7088
E-MAIL coinmech@coinmech.com VISIT OUR WEBSITE AT www.coinmech.com