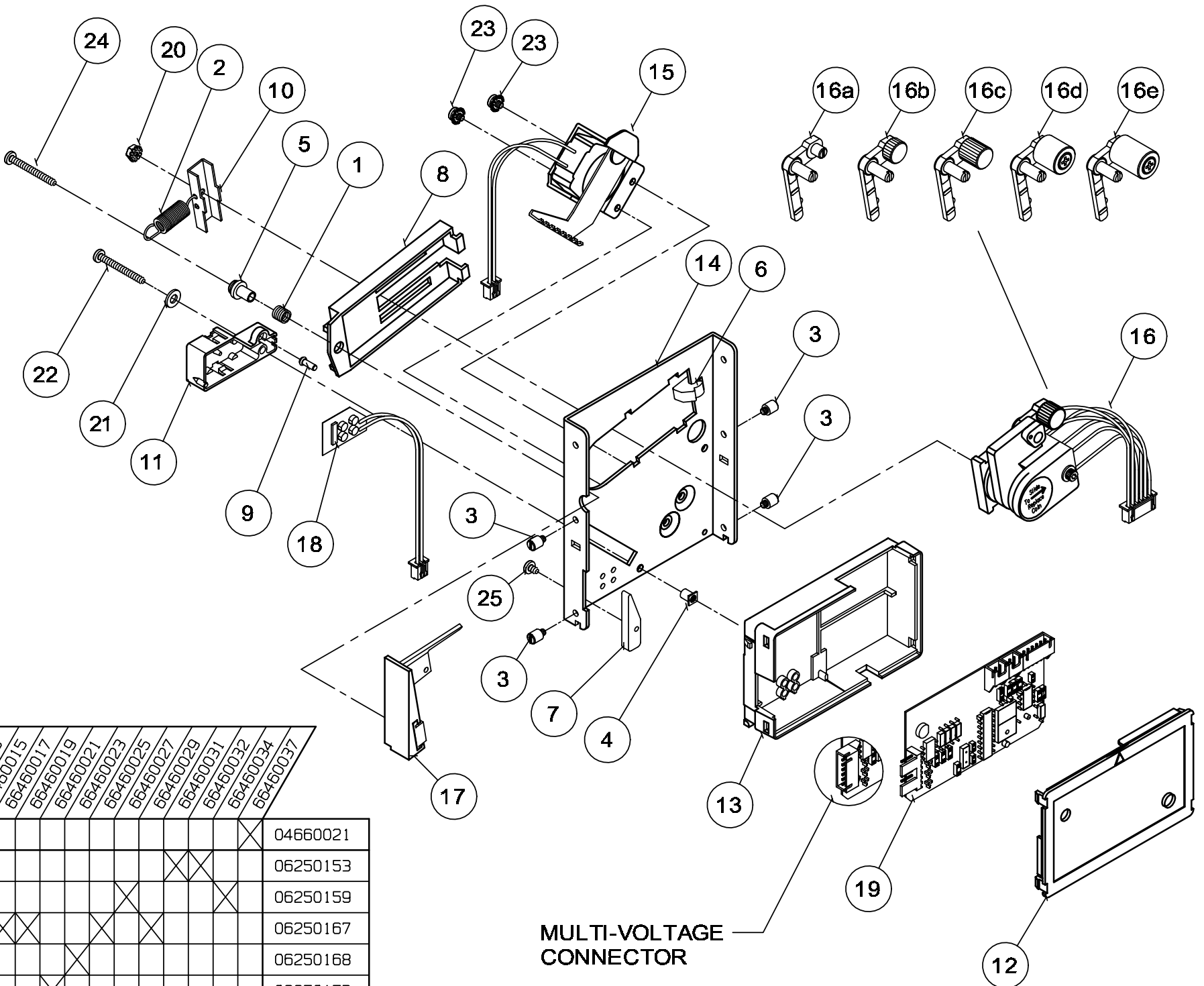


MC
PARTS
IDENTIFICATION



MULTI-VOLTAGE
CONNECTOR

ITEM NO.	66460011	66460013	66460015	66460017	66460019	66460021	66460023	66460025	66460027	66460029	66460031	66460032	66460034	66460037
----------	----------	----------	----------	----------	----------	----------	----------	----------	----------	----------	----------	----------	----------	----------

7															04660021
															06250153
															06250159
16	X	X	X	X	X	X	X	X	X	X	X	X	X	X	06250167
															06250168
															06250173
															06250184
															09270234
															09270236
															09270237
															09270240
19															09270241
															09270247
															09270249
															09270254
															09270261
															09270293
25															P-221-4-3

MATERIAL COLUMN

ITEM	P/N	QTY	MATL DESCRIPTION	ITEM	P/N	QTY	MATL DESCRIPTION
1	04050027	1	SPRING, COMPRESSION, COIL RETAINER	16	0625XXXX	1	COIL, ASSY, SENSOR,
2	04050031	1	SPRING, EXTENSION, COIL LOCKING	16a	06660051	—	DAMPER & WEIGHT, ASSY, 0.7G
3	04060006-01	4	STUD, #6 MTG	16b	06660012	—	DAMPER & WEIGHT, ASSY, 2.6G
4	04060036	1	INS, NUT, #4-40	16c	06660013	—	DAMPER & WEIGHT, ASSY, 6G
5	04060052-01	1	BUSHING, SPRING RETAINING	16d	06660046	—	DAMPER & WEIGHT, ASSY, 12G
6	04660002	1	STOP, SENSING COIL SAFETY	16e	06660014	—	DAMPER & WEIGHT, ASSY, 14.26G
7	04660021	1	SPACER, COIN EXIT, .155	17	06660038	1	RAIL, ASSY, SM RAIL, STD INSERT
8	04660030	1	SHIELD, SENSOR COIL RETAINING	18	09270358	1	PCB, COMP, SECURITY
9	04660034-02	1	PIN, COIN DEFLECTOR	19	0927XXXX	1	PCB, CTRL, MC,
10	04660062-01	1	BRKT, COIL LOCKING	20	436-4	1	NUT, 4-40, HEX, KEPS
11	04660173	1	HOUSING, MC/IC, PCB, OPTICS, EMIT	21	600-4	1	WASHER, FLAT, #4
12	04660165	1	COVER, PCB HOUSING, UNIVERSAL	22	P-104-4-12	1	SCREW, 4-40 X 3/4, PHIL, PH, MS
13	04660166	1	HSG, PCB, UNIVERSAL	23	P-186-4-3	2	SCREW, 4-40 X 3/16, PHIL\SQ, INT SEMS
14	04660169-05	1	MAINPLATE, MC, DBL OPTIC	24	P-221-4-12	1	SCREW, 4 X 3/4, PHIL, TYPE 45, PLASTITE
15	06250001	1	COIL & BRKT, ASSY, GRN, 4, 2PST	25	P-221-4-3	1	SCREW, 4 X 3/16, PHIL, TYPE 45, PLASTITE

P/N 09300120 -11/99



COIN MECHANISMS INC.

P.O. Box 5128, Glendale Heights, IL 60139-5128*1-800/323-6498*FAX 630/924-7088
E-MAIL coinmech@coinmech.com VISIT OUR WEBSITE AT www.coinmech.com