



COIN MECHANISMS INC.

Where The Money Meets The Machine

817 Industrial Drive Elmhurst, Illinois 60126 - 1107

VOICE: 1-630-924-7070 1-800-323-6498

FAX: 1-630-924-7088

ATV-3 TIMER 120 Volts AC

Part No. 09780013

Specifications

Input Voltage = 115 Volts AC 50/60 HZ 101 VAC min. 132 VAC max.

Power Consumption = 3.7 Watts max.

Coin Micro-Switch Input = 25 millisecond min. ON, 30 millisecond min. OFF

Switched Output Voltage = Input Voltage

Switched Output Rating = SPDT, 20 Amp @ 120/240VAC, 2 HP

Temperature = Operating: -40° C to 65° C, Storage: -40° C to 85° C

Humidity = 95% relative non-condensing

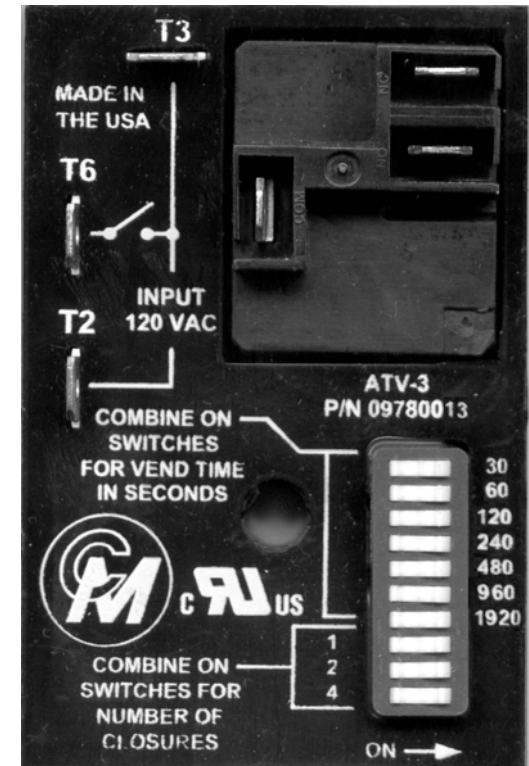
Number of Coins to Vend = 1 to 7 (selectable via three DIP switches)

Accumulator Time per Vend = Time selected by switch setting is per coin (via seven DIP switches)

1 Coin Time = 30 Minutes Minimum to 63.5 Hours Maximum

7 Coin Time = 3.5 Hours Minimum to 444.5 Hours Maximum

Additional Time = Coin inserted during a Vend adds additional time



Mechanical

- Package: epoxy-encapsulated 2" x 3" x 1.25"
- Mounting: 0.25" diameter hole for up to #10 screw

- Terminations:
(ATV-3 Timer) .25" male quick connect terminals (Terminal Block) stripped wire 14 to 22 AWG using flat blade screwdriver for screw clamp

- Relay MTBF: 10 million operations

UL Recognized UL file # E125360

UL Guide NMFT2, cUL Guide NMFT8



COIN MECHANISMS INC.

Where The Money Meets The Machine

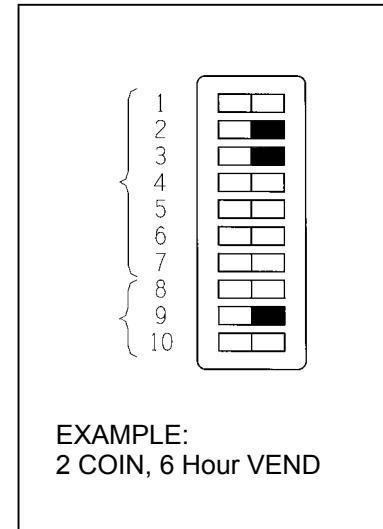
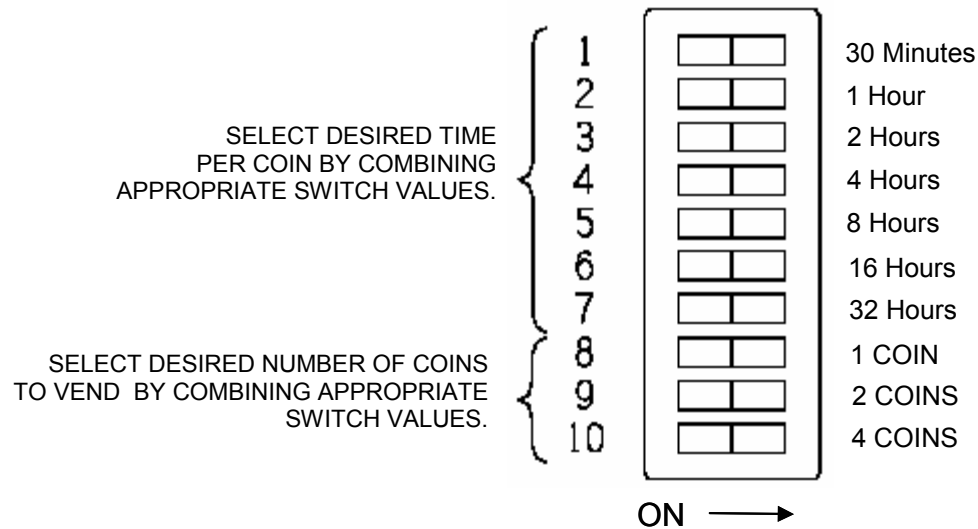
817 Industrial Drive Elmhurst, Illinois 60126 - 1107

VOICE: 1-630-924-7070 1-800-323-6498

FAX: 1-630-924-7088

**ATV-3 TIMER 120 Volts AC
P/N 09780013**

SWITCH SETTINGS



Total Vend (or switched power on) Time =
Number of Hours X Number of Coins Selected on the Switch



COIN MECHANISMS INC.

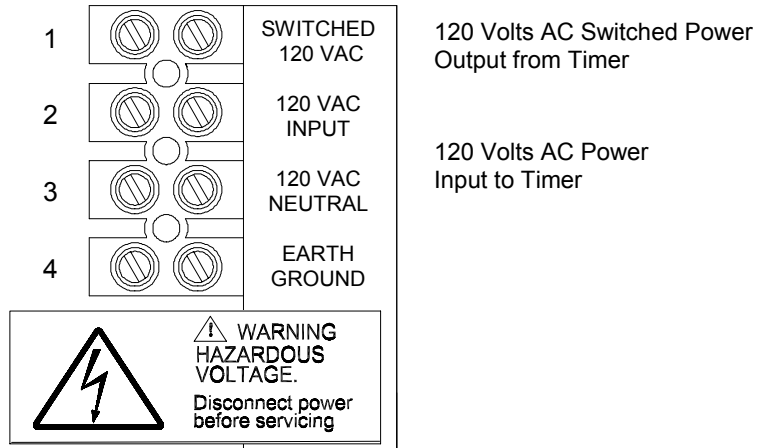
Where The Money Meets The Machine

817 Industrial Drive Elmhurst, Illinois 60126 - 1107

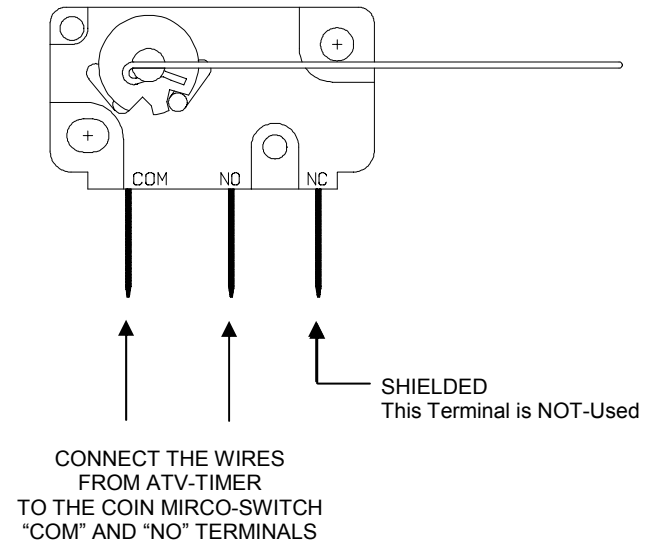
VOICE: 1-630-924-7070 1-800-323-6498

FAX: 1-630-924-7088

TERMINAL BLOCK CONNECTIONS



COIN MICRO-SWITCH CONNECTIONS





COIN MECHANISMS INC.

Where The Money Meets The Machine

817 Industrial Drive Elmhurst, Illinois 60126 - 1107

VOICE: 1-630-924-7070 1-800-323-6498

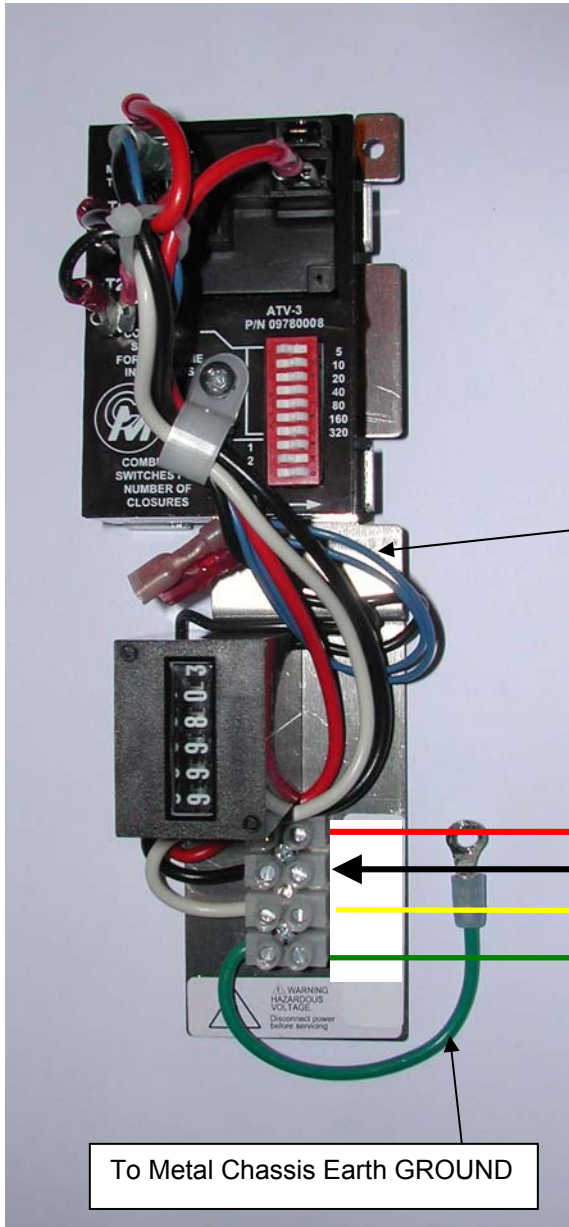
FAX: 1-630-924-7088

120 Volt AC WIRING

Wiring connections to and from ATV-3 Timer-Box when using same voltage operating the timer for the switched voltage going to your device to be timed.

Ground wire is earth ground and is shown for safety. This is optional if earth ground is supplied by other means in the application or is part of the common supply.

Connect these two blue wires with .187" fast-on terminals
To the Coin Micro-Switch Normally Open (NO) and COMMON (COM) terminals.
Shorting these two blue wires counts pulses for Timer.



DEVICE TO BE TIMED

120 VAC HOT (Line)
Switched output from Timer

120 VAC NEUTRAL Common

EARTH GROUND

GROUND 120 VAC 120 VAC
NEUTRAL HOT (LINE)
This is your Power Source
To the Timer-Box and Device to be timed.

To Metal Chassis Earth GROUND



COIN MECHANISMS INC.

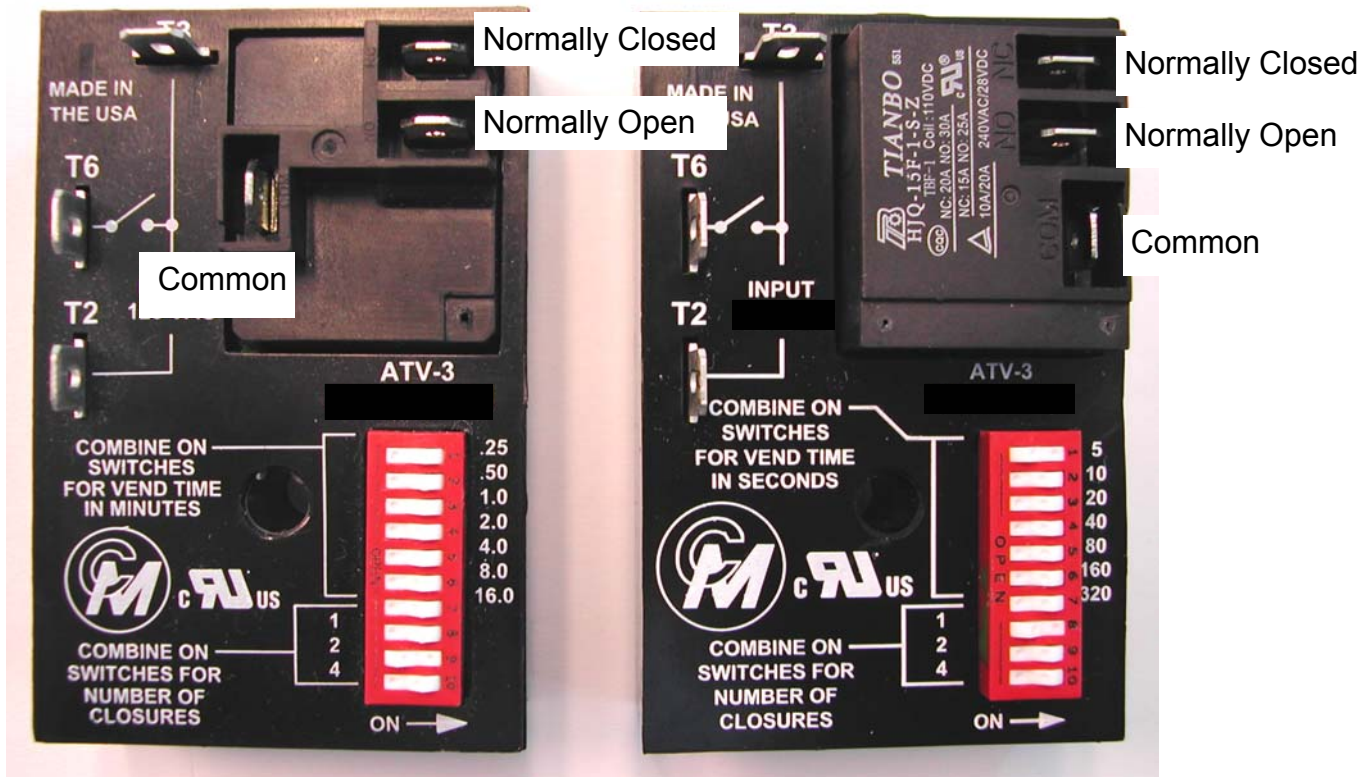
Where The Money Meets The Machine

817 Industrial Drive Elmhurst, Illinois 60126 - 1107

VOICE: 1-630-924-7070 1-800-323-6498

FAX: 1-630-924-7088

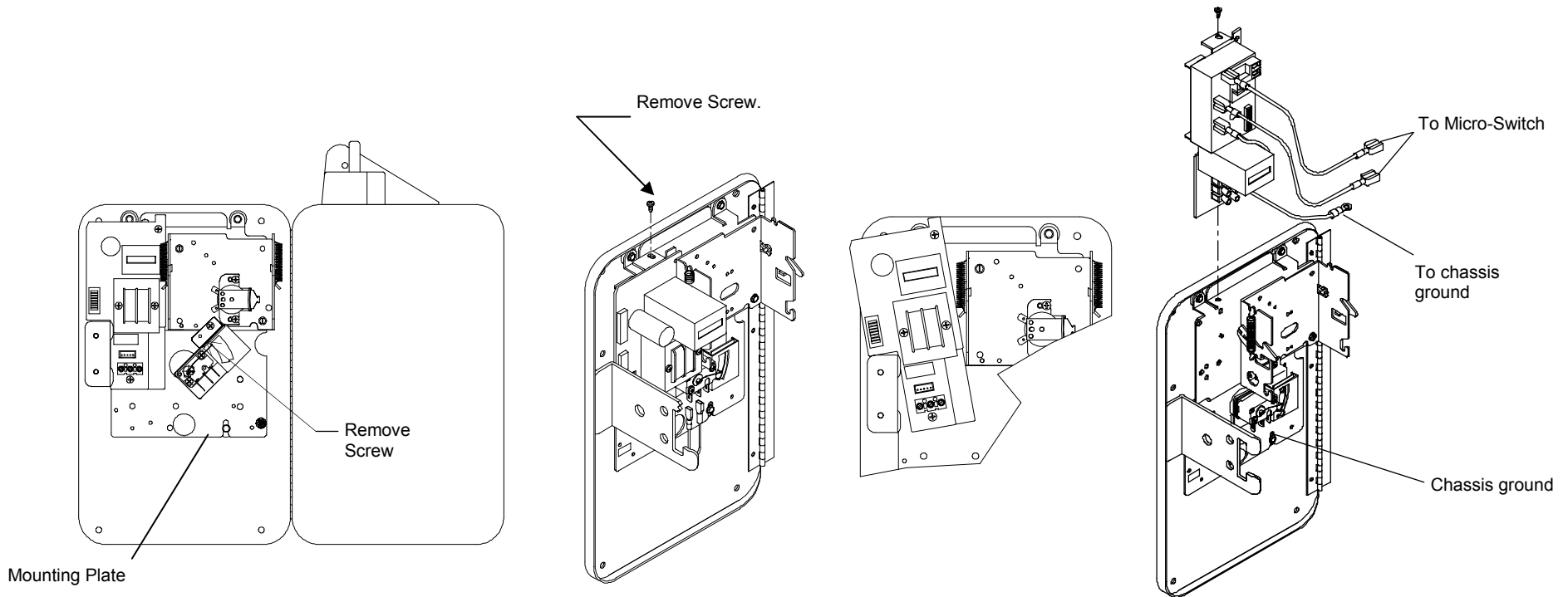
The ATV-3 Timer has two Relay configurations
The relay is single pole double throw
It can switch 0 to 250 Volts up to 20 Amps





ATV TIMER KIT INSTALLATION INSTRUCTIONS

NOTE: ALL WIRES NOT SHOWN FOR CLARITY



Remove left screw on switch bracket assembly and swing switch and bracket assembly out of the way To provide room for mounting new timer.

Remove screw from the top of the old-timer bracket.

Rotate bracket counter-clockwise slightly, up, then out to disengage latches from mounting plate. Remove old-timer.

Replace with new ATV Timer Kit Making sure latches hook over the back of mounting plate.

Reposition switch and bracket assembly and replace screws.